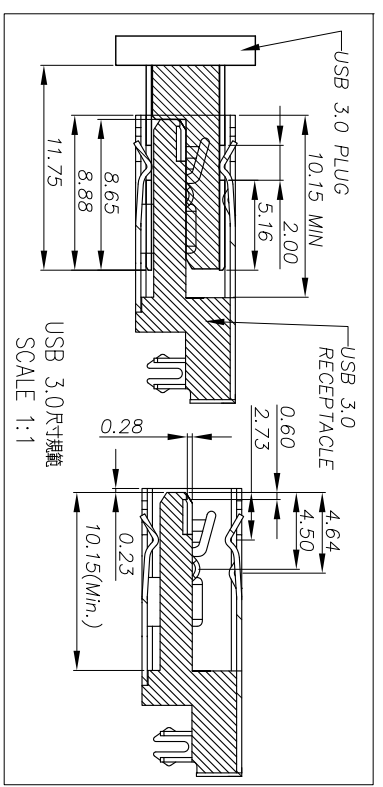
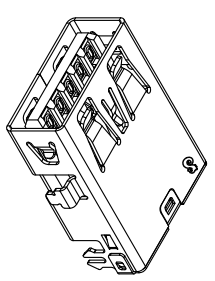
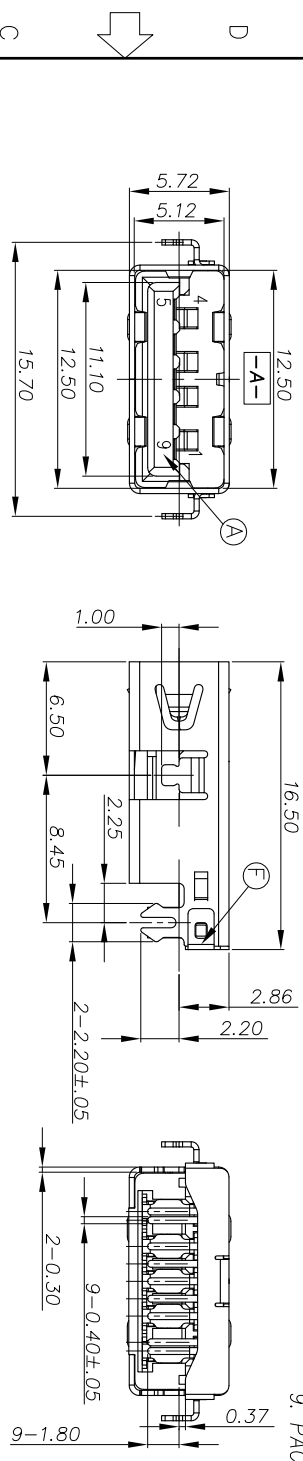


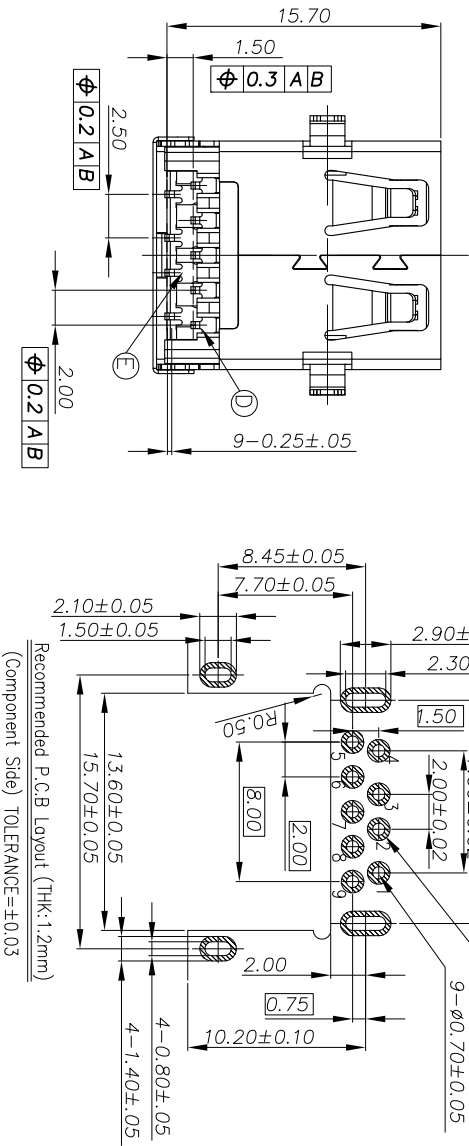
DATE CODE
 05.0mm AVAILABLE
 VACUUM PICK UP AREA



- SPECIFICATIONS:
- ELECTRICAL CHARACTERISTICS:
 - CURRENT RATING: 1.8A (PIN1, 4) ; OTHER CONTACTS 0.25A
 - CONTACT RESISTANCE: 30mΩ MAX.
 - DIELECTRIC WITHSTANDING VOLTAGE: 100V AC FOR 1 MINUTE
 - INSULATION RESISTANCE: 100MΩ MIN
 - MECHANICAL CHARACTERISTICS:
 - INSERTION FORCE : 3.5 Kgf MAX
 - WITHDRAWAL FORCE : 1.0 Kgf MIN
 - DURABILITY: 5,000 CYCLES.
 - TO CONFORM TO SINGATRON HAZARDOUS SUBSTANCE FREE SPEC.
 - HALOGEN FREE PRODUCT IDENTIFICATION MARK ON JACK.Ⓢ
 - HALOGEN FREE PRODUCT IDENTIFICATION LABEL ON PACKAGING.Ⓢ
 - FOR IR-REFLOW LEAD-FREE PROCESS.
 - DATE : YMMD
 - PACKAGING : TAPE & REEL.



Pin Number	Signal ASSIGNMENT
PIN 1	VBUS
PIN 2	D-
PIN 3	D+
PIN 4	GND
PIN 5	SDA_SSPX-
PIN 6	SDA_SSPX+
PIN 7	GND_DRAIN
PIN 8	SDA_SSTX-
PIN 9	SDA_SSTX+



Recommended P.C.B Layout (THK:1.2mm)
 (Component Side) TOLERANCE=±0.03

REV.	ECN NO OR DESCRIPTION	REVISED	DATE
A	PRODUCT RELEASE	VICTOR	2012.04.23
B	ECN NO: S121223	ANGUS	2013.06.10

F	REAR SHELL	1	STAINLESS STEEL
E	TERMINAL	5	COPPER ALLOY
D	TERMINAL	4	PHOSPHOR BRONZE
C	SHELL	1	STAINLESS STEEL
B	BASE	1	THERMOPLASTIC
A	HOUSING	1	THERMOPLASTIC
NO	DESCRIPTION	QTY	MATERIAL

UNLESS OTHERWISE SPECIFIED TOLERANCES

Singatron Enterprise Co., Ltd.
 信音企業股份有限公司

TITLE: USB 3.0 REVERSE CONNECTOR

DECIMALS:	ANGLES:
X : ±0.5	X : ±2°
X.X : ±0.3	X.X : ±1'
X.XX : ±0.2	

DWN	ANGUS	PART NO.	2UB4016-300101F
CHKD	CERRY	SCALE	1:1
APVD	MAX	SIZE	A3
		SHEET	1 OF 1
		REV.	B

CUSTOMER COPY