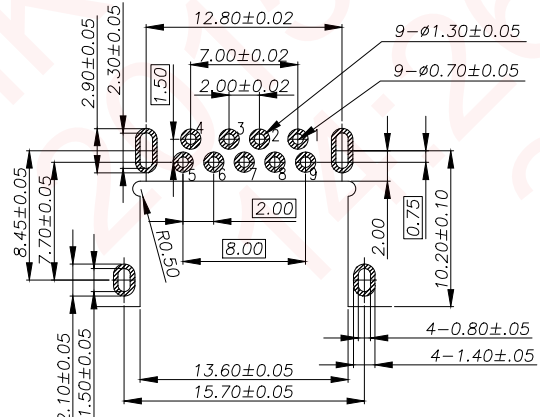
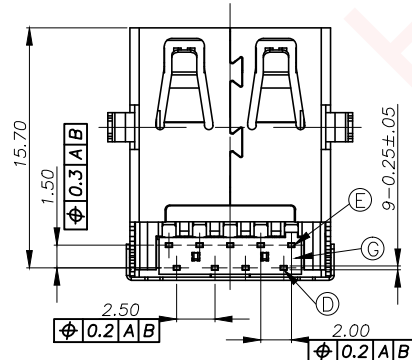
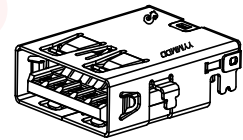
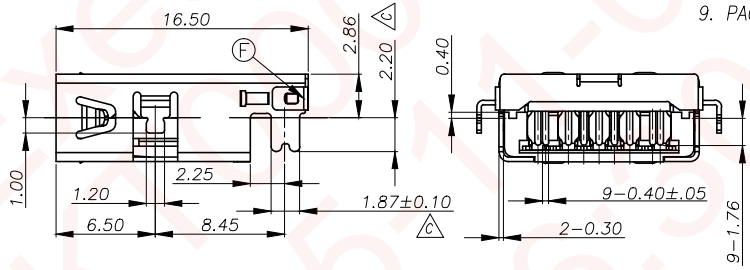
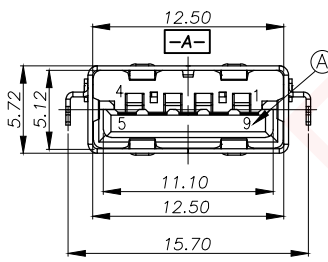
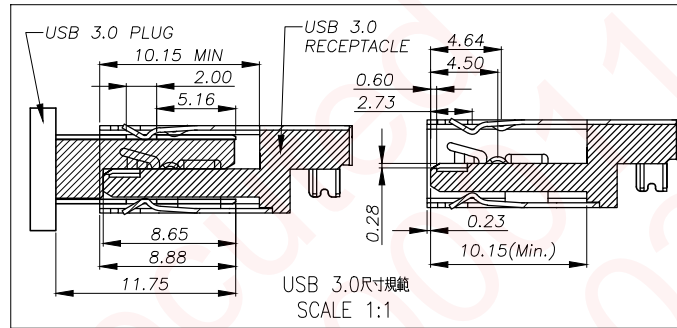
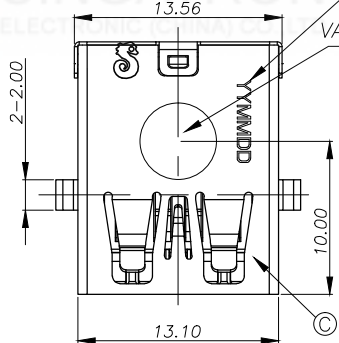


1 2 3 4 5 6 7 8

DATE CODE
 ø5.0mm AVAILABLE
 VACUUM PICK UP AREA



Recommended P.C.B Layout (THK:1.2mm)
 (Component Side) TOLERANCE=±0.03

REV.	ECN NO OR DESCRIPTION	REVISED	DATE
A	PRODUCT RELEASE	VICTOR	2012.04.18
B	ECN NO: S121223	ANGUS	2013.06.10
C	ECN NO:S150624-C	PENG	2015.09.11

- SPECIFICATIONS:
- ELECTRICAL CHARACTERISTICS:
 - CURRENT RATING: 1.8A (PIN1,4) ; OTHER CONTACTS 0.25A
 - CONTACT RESISTANCE: 30mΩ MAX.
 - DIELECTRIC WITHSTANDING VOLTAGE: 100V AC FOR 1 MINUTE
 - INSULATION RESISTANCE: 100MΩ MIN
 - MECHANICAL CHARACTERISTICS:
 - INSERTION FORCE : 3.5 Kgf MAX
 - WITHDRAWAL FORCE : 1.0 Kgf MIN
 - DURABILITY: 5,000 CYCLES.
 - TO CONFORM TO SINGATRON HAZARDOUS SUBSTANCE FREE SPEC.
 - HALOGEN FREE PRODUCT IDENTIFICATION MARK ON JACK: ©
 - HALOGEN FREE PRODUCT IDENTIFICATION LABEL ON PACKAGING: ©
 - FOR WAVE SOLDERING LEAD-FREE PROCESS.
 - DATE : YYMMDD
 - PACKAGING : TAPE & REEL.

Pin Number	Signal ASSIGNMENT
PIN 1	VBUS
PIN 2	D-
PIN 3	D+
PIN 4	GND
PIN 5	StdA_SSRX-
PIN 6	StdA_SSRX+
PIN 7	GND_DRAIN
PIN 8	StdA_SSTX-
PIN 9	StdA_SSTX+

NO	DESCRIPTION	QTY	MATERIAL	PLATING & COLOR
G	HOUSING COVER	1	THERMOPLASTIC	BLUE(300C)
F	REAR SHELL	1	STAINLESS STEEL	
E	TERMINAL	5	COPPER ALLOY	2μAu OVER 30μPd/Ni PLATED ON MATING AREA, 120μ Sn PLATED ON SOLDERING 80μ NICKEL UNDER PLATING OVERALL
D	TERMINAL	4	PHOSPHOR BRONZE	2μAu OVER 30μPd/Ni PLATED ON MATING AREA, 120μ Sn PLATED ON SOLDERING 80μ NICKEL UNDER PLATING OVERALL
C	SHELL	1	STAINLESS STEEL	NICKEL 60u"MIN
B	BASE	1	THERMOPLASTIC	BLUE(300C)
A	HOUSING	1	THERMOPLASTIC	BLUE(300C)

UNLESS OTHERWISE SPECIFIED TOLERANCES	Singatron Enterprise Co., Ltd. 信音企業股份有限公司			
DECIMALS:	ANGLES:	TITLE USB 3.0 REVERSE CONNECTOR		
X :±0.5	X :±2°	DWN	peng	PART NO.2UB4016-300201F
X.X :±0.3	X.X :±1°	CHKD	cerry	SCALE 1:1 UNIT: mm
X.XX :±0.2		APVD	liao	SIZE: A3 SHEET:1 OF 1 REV: C
CUSTOMER COPY				

1 2 3 4 5 6 7 8