


REV.	ECN NO.	OR DESCRIPTION	REVISED	DATE
A	PDR RELEASE		NY-C	2011.03.31
B	ECN NO:110080		NY-C	2011.08.01
C	ECN NO:1120155		NY-C	2013.03.22

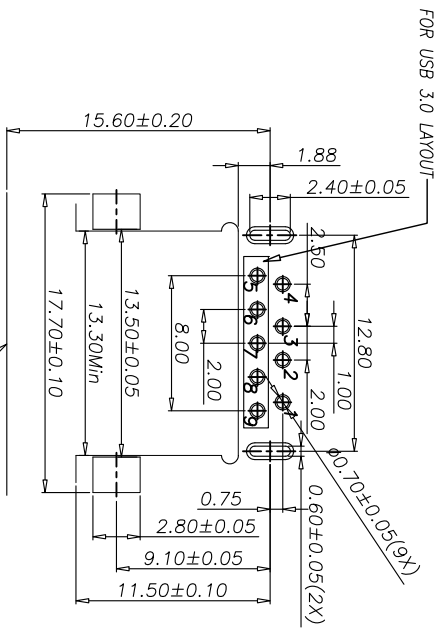
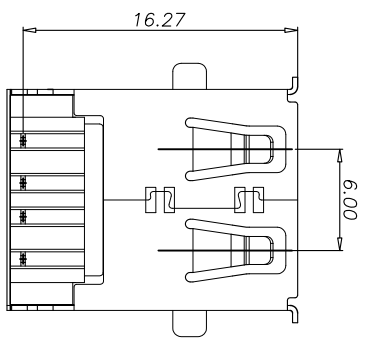
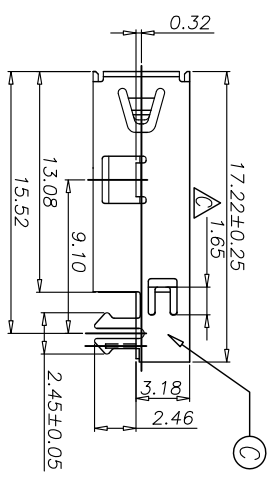
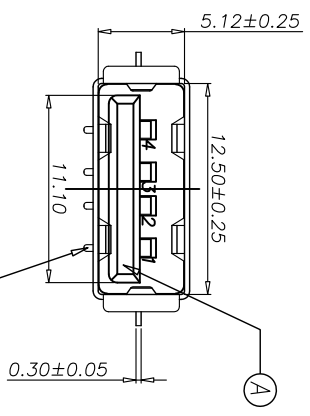
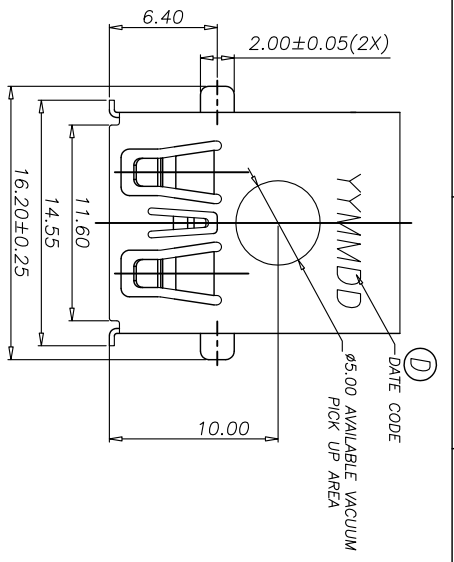
SPECIFICATIONS:

- ELECTRICAL CHARACTERISTICS:**
 - 1-1. RATING: 1.5A; 30V.
 - 1-2. CONTACT RESISTANCE: 30mΩ MAX.
 - 1-3. INSULATION RESISTANCE: 1000MΩ MIN. @ 500V DC.
 - 1-4. DIELECTRIC WITHSTANDING VOLTAGE: 500V AC FOR 1 MINUTE.
- MECHANICAL CHARACTERISTICS:**
 - 2-1. INSERTION FORCE: 1.0~2.0 kgf.
 - 2-2. WITHDRAWAL FORCE: 1.0~2.0 kgf.
3. LIFE TEST: 5,000 CYCLES MIN.
4. OPERATING TEMPERATURE: -55°C TO +85°C.
5. OTHER GENERAL SPEC. TO REFER "2UB4017 SERIES SPEC".
6. TO CONFORM TO THE SINGATRON HAZARDOUS SUBSTANCE FREE SPEC.
7. HALOGEN FREE PRODUCT IDENTIFICATION LABEL ON PACKAGING: 
8. PACKAGE: SEE "2UB4017 SERIES" PACKAGE.
9. FOR REFLOW SOLDERING LEAD-FREE PROCESS.

PART NO.

2UB4017-000111

- PACKAGE
- 1: TAPE AND REEL
- HOUSING COLOR
- 1: BLACK
- CONTACT PLATING
- 1: GOLD FLASH ON CONTACT AREA, TIN ON SOLDER AREA



RECOMMENDED PCB LAYOUT

CONNECTOR FRONT EDGE

D	INK		BLACK
C	SHELL	1	STAINLESS STEEL
B	CONTACT	4	COPPER ALLOY
A	HOUSING	1	HIGH TEMP. THERMOPLASTIC UL 94V-0
NO	DESCRIPTION		MATERIAL
UNLESS OTHERWISE SPECIFIED TOLERANCES			
DECIMALS: ANGLES: X ±0.5 X ±.2° X.X ±0.3 X.X ±.1° X.XX ±0.2			
TITLE: USB A TYPE FEMALE, REVERSE, R/A, SINKING			
DWN: NY-C 2013.03.22			
CHKD: NY-C 2013.03.27			
APVD: NY-C 2013.03.27			
SCALE: 1:1 UNIT: mm			
SIZE: A3 SHEET: 1 OF 1 REV: C			

Singatron Enterprise Co., Ltd.
信音企業股份有限公司

PART NO. 2UB4017-000111

CUSTOMER COPY