

REV.	ECN NO.	OR DESCRIPTION	REVISED	DATE
A	PDR	RELEASE	NY-C	2011.06.15
B	ECN NO.:	120155	NY-C	2013.03.27

**SPECIFICATIONS:**

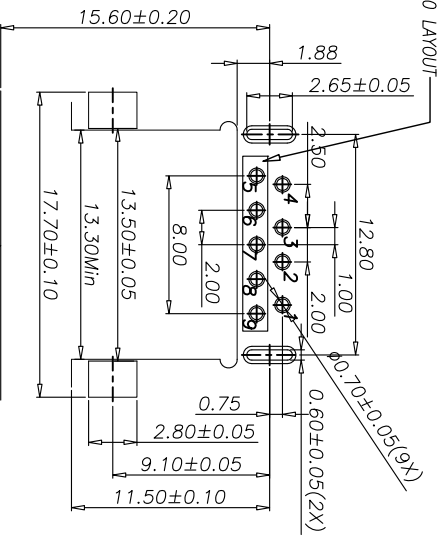
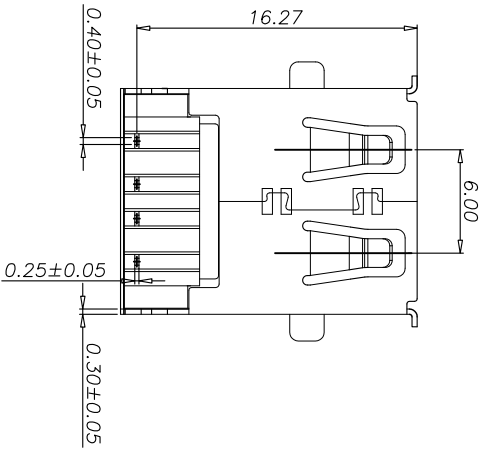
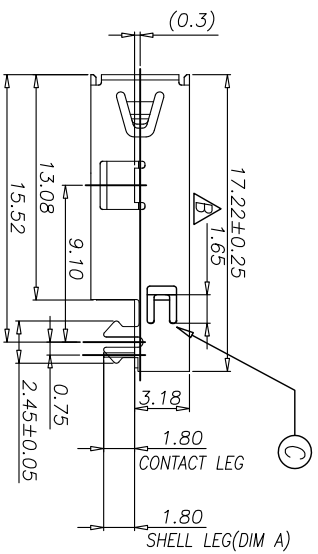
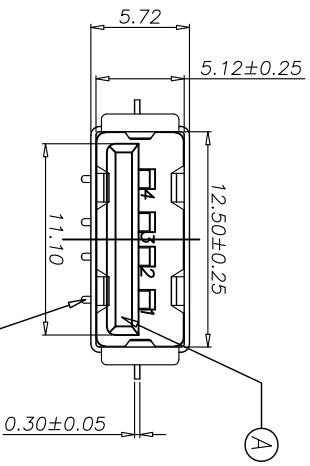
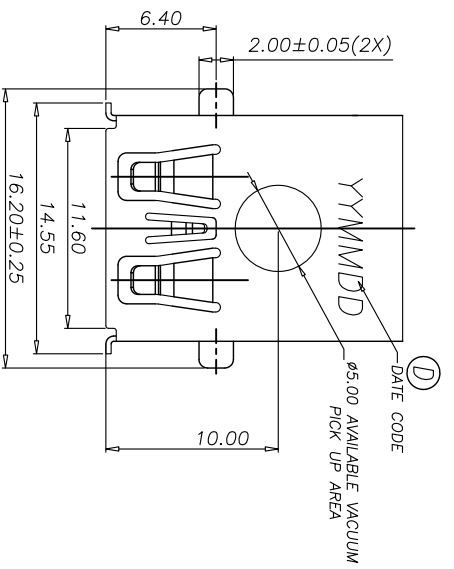
- ELECTRICAL CHARACTERISTICS:
  - 1-1. RATING: 1.5A; 30V.
  - 1-2. CONTACT RESISTANCE: 30mΩ MAX.
  - 1-3. INSULATION RESISTANCE: 1000MΩ MIN. @ 500V DC.
  - 1-4. DIELECTRIC WITHSTANDING VOLTAGE: 500V AC FOR 1 MINUTE.
- MECHANICAL CHARACTERISTICS:
  - 2-1. INSERTION FORCE: 35N MAX.
  - 2-2. WITHDRAWAL FORCE: 10N MIN.
- LIFE TEST: 5,000 CYCLES MIN.
- OPERATING TEMPERATURE: -55°C TO +85°C.
- OTHER GENERAL SPEC. TO REFER "2UB4017 SERIES SPEC".
- TO CONFORM TO THE SINGATRON HAZARDOUS SUBSTANCE FREE SPEC.
- HALOGEN FREE PRODUCT IDENTIFICATION LABEL ON PACKAGING.
- PACKAGE: SEE "2UB4017 SERIES" PACKAGE.
- FOR REFLOW SOLDERING LEAD-FREE PROCESS.



**PART NO.**

**2UB4017-100111**

- PACKAGE: 1: TAPE AND REEL
- HOUSING COLOR: 1: BLACK
- CONTACT PLATING: 1: GOLD 1u" Min. ON CONTACT AREA, MATTE TIN 120u" Min. ON SOLDER AREA, 50u" NICKEL UNDERPLATED.
- DIM A: 1: 1.80mm



RECOMMENDED PCB LAYOUT

D	INK	BLACK
C	SHELL	NICKEL PLATED
B	CONTACT	SEE PART NO.
A	HOUSING	BLACK
NO	DESCRIPTION	PLATING & COLOR

UNLESS OTHERWISE SPECIFIED TOLERANCES

Singatron Enterprise Co., Ltd.  
信音企業股份有限公司

DECIMALS: ANGLES: TITLE: USB A TYPE FEMALE, REVERSE, R/A, SINKING  
 X : ±0.5 X : ±2°  
 X.X : ±0.3 X.X : ±1°  
 X.XX : ±0.2

CHKD: ANECA 20130327 SCALE: 1:1 UNIT: mm  
 APVD: ANECA 20130327 SIZE: A3 SHEET: 1 OF 1 REV: B

CUSTOMER COPY