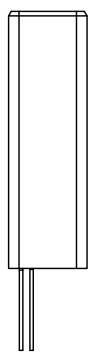
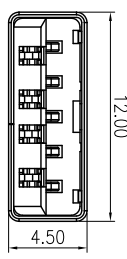
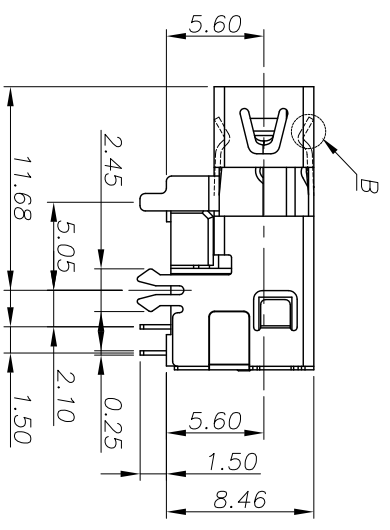
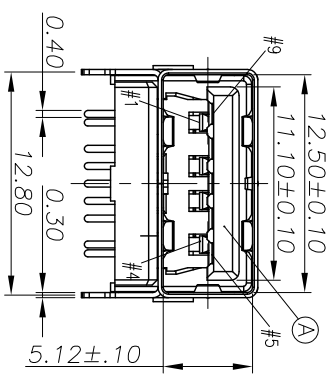
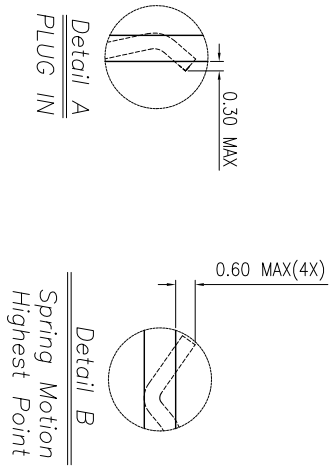
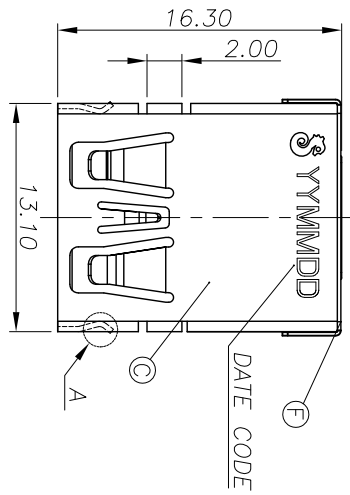
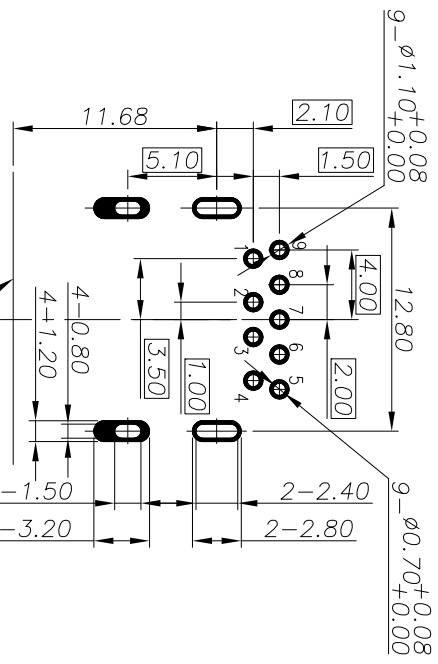
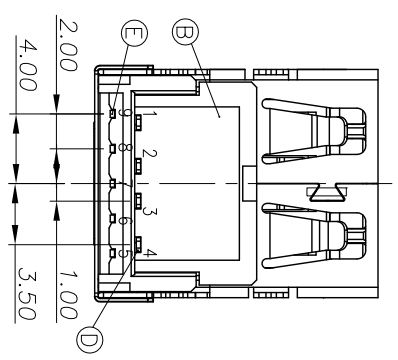


REV. ECN NO. OR DESCRIPTION	REVISED	DATE
A PRODUCE RELEASE	ZHOU LQ	2011.12.07

- SPECIFICATIONS:
- ELECTRICAL CHARACTERISTICS:
    - CURRENT RATING: 1.8A (PIN1,4) ; OTHER CONTACTS 0.25A
    - CONTACT RESISTANCE: 30mΩ MAX.
    - DIELECTRIC WITHSTANDING VOLTAGE: 500V AC FOR 1 MINUTE
    - INSULATION RESISTANCE: 100MΩ MIN
  - MECHANICAL CHARACTERISTICS:
    - INSERTION FORCE : 3.5 kgf MAX
    - WITHDRAWAL FORCE : 1.0 kgf MIN
    - DURABILITY: 5,000 CYCLES.
    - OTHER SPEC TO REFER USB 3.0 SPEC.
    - TO CONFORM TO SINGATRON HAZARDOUS SUBSTANCE FREE SPEC.
    - HALOGEN FREE PRODUCT IDENTIFICATION MARK : ◎
    - HALOGEN FREE PRODUCT IDENTIFICATION LABEL ON PACKAGING:
    - FOR REFLOW SOLDERING LEAD-FREE PROCESS.
    - PACKAGING : TAPE & REEL.



MATING PLUG: T00-40.10



F	SHELL COVER	1	STAINLESS STEEL	N/A
E	TERMINAL	5	COOPER ALLOY	GOLD 50" OVER P/IN/ 30" ON CONTACT AREA GOLD FLASH ON SOLDER TAIL. ALL OVER 50U NICKEL PLATED
D	TERMINAL	4	COOPER ALLOY	
C	SHELL	1	STAINLESS STEEL	NICKEL 60U"MIN
B	BASE	1	THERMOPLASTIC	BLACK
A	HOUSING	1	THERMOPLASTIC	BLACK
NO	DESCRIPTION	QTY	MATERIAL	PLATING & COLOR
UNLESS OTHERWISE SPECIFIED TOLERANCES				
Singatron Enterprise Co., Ltd. 信音企業股份有限公司				
TITLE: USB 3.0 CONNECTOR				
DECIMALS:	ANGLES:			
X : ±0.5	X : ±2°			
X.X : ±0.3	X.X : ±1°			
X.XX : ±0.2				
信音企業股份有限公司 PART NO. 2UB4019-000111 SCALE 1:1 UNIT: mm SHEET: 1 OF 1 REV: A CUSTOMER COPY				