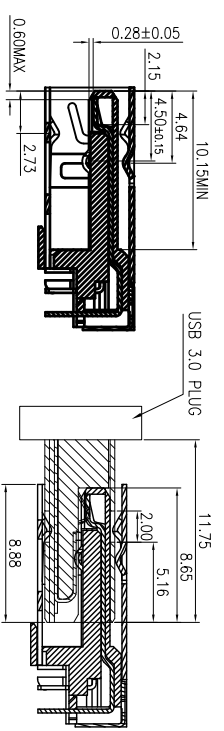
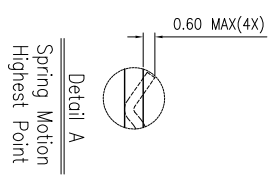
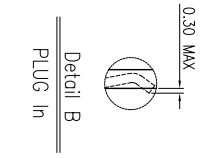
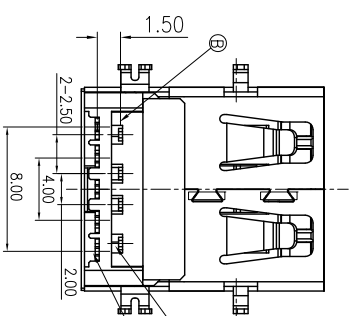
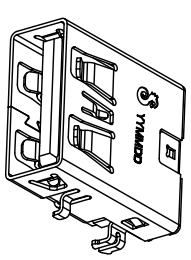
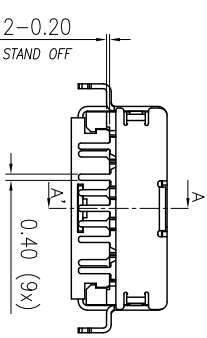
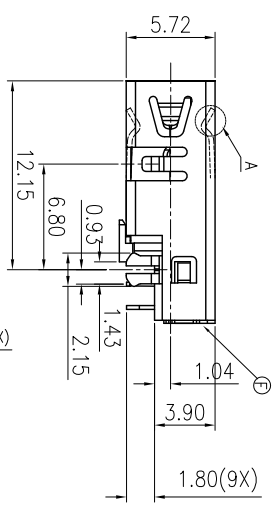
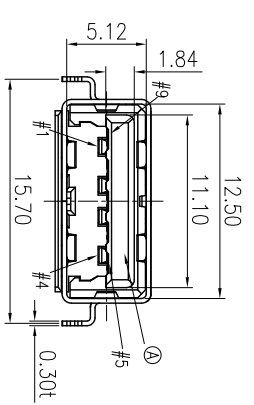
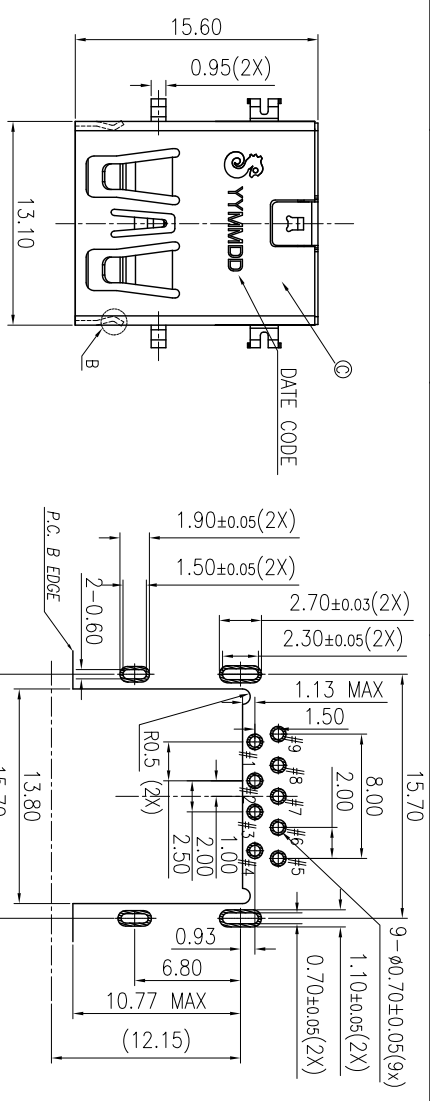


REV. A	ECN NO. OR DESCRIPTION	REVISED	DATE
	PRODUCT RELEASE	ZLS	2014.12.18

- SPECIFICATIONS:
1. ELECTRICAL CHARACTERISTICS:
- 1-1 CURRENT RATING: 1.8A (PIN1, 4); OTHER CONTACTS: 0.25A
  - WORKING RATED VOLTAGE: 30V AC
  - 1-2 CONTACT RESISTANCE: 30mΩ MAX.
  - 1-3 DIELECTRIC WITHSTANDING VOLTAGE: 100V AC FOR 1 MINUTE
  - 1-4 INSULATION RESISTANCE: 100 MEGOHMS BY 500V DC.
2. MECHANICAL CHARACTERISTICS:
- 2-1 INSERTION FORCE : 3.5 kgf MAX.
  - 2-2 WITHDRAWAL FORCE : 1.0 kgf MIN.
3. DURABILITY: 5,000 CYCLES.
4. OTHER SPEC TO REFER USB 3.0 SPEC.
5. TO CONFORM TO SINGATRON HAZARDOUS SUBSTANCE FREE SPEC.
6. HALOGEN FREE PRODUCT IDENTIFICATION MARK : (C)
7. HALOGEN FREE PRODUCT IDENTIFICATION LABEL ON PACKAGING: (E)
8. FOR REFLOW SOLDERING LEAD-FREE PROCESS.
9. PACKAGING : TAPE & REEL.



F	REAR COVER	1	SPCC	NICKEL 60μ"MIN
E	TERMINAL	5	COOPER ALLOY	GOLD 2μ" OVER PGM/30μ" ON CONTACT AREA BRIGHT 120μ" OVER SOLDER TAIL. ALL OVER 80μ" NICKEL PLATED
D	TERMINAL	4	COOPER ALLOY	GOLD 2μ" OVER PGM/30μ" ON CONTACT AREA BRIGHT 120μ" ON SOLDER TAIL. ALL OVER 80μ" NICKEL PLATED
C	SHELL	1	STAINLESS STEEL	NICKEL 60μ"MIN
B	BASE	1	HIGH TEMPERATURE UL94HB	BLUE(300C)
A	HOUSING	1	HIGH TEMPERATURE UL94HB	BLUE(300C)
NO	DESCRIPTION	QTY	MATERIAL	PLATING & COLOR
UNLESS OTHERWISE SPECIFIED TOLERANCES				
DECIMALS:		ANGLES:		
X	:±0.5	X	:±2°	
X.X	:±0.3	X.X	:±1°	
X.XX	:±0.2			
TITLE: USB3.0 CONNECTOR				
DWN	ZLS	14/12/31	PART NO. ZUB4020-001111F	
CHKD	BILLY	14/12/31	SCALE 3:1	UNIT: mm
APVD	ZLZ	14/12/31	SIZE: A3	SHEET:1 OF 1 REV: A
CUSTOMER COPY				

Singatron Enterprise Co., Ltd.  
信登企業股份有限公司