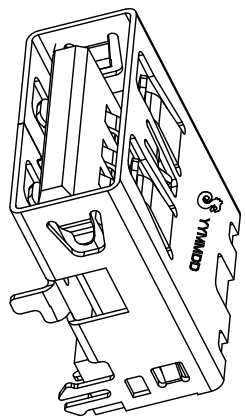
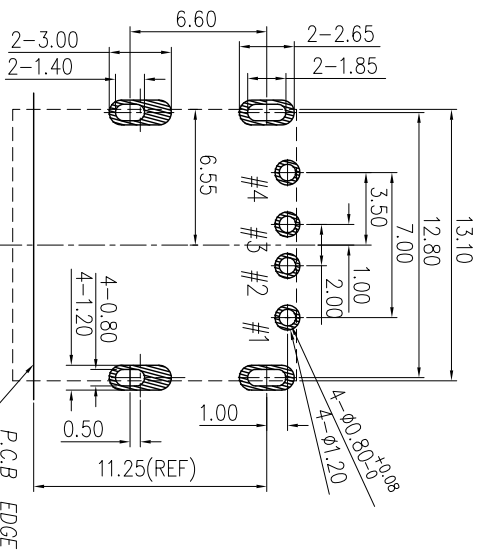
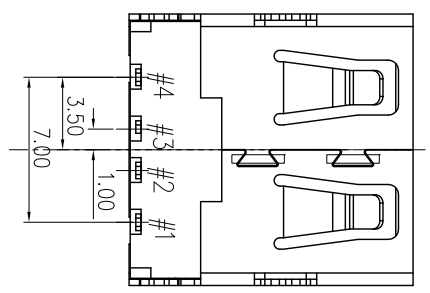
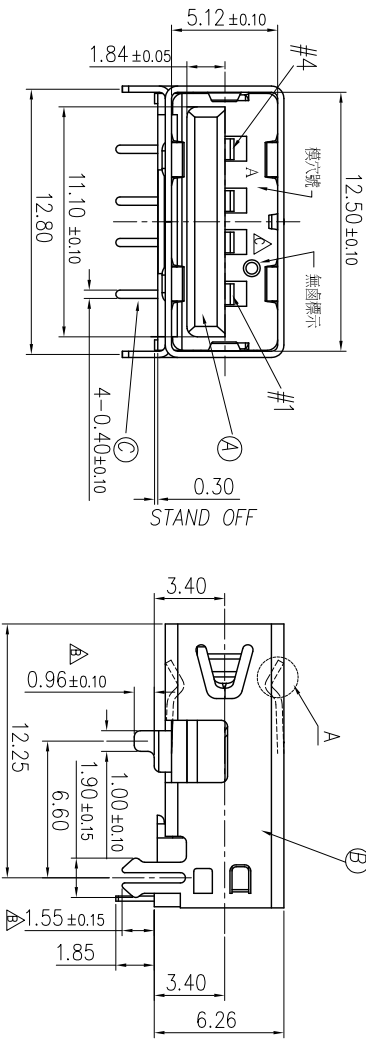
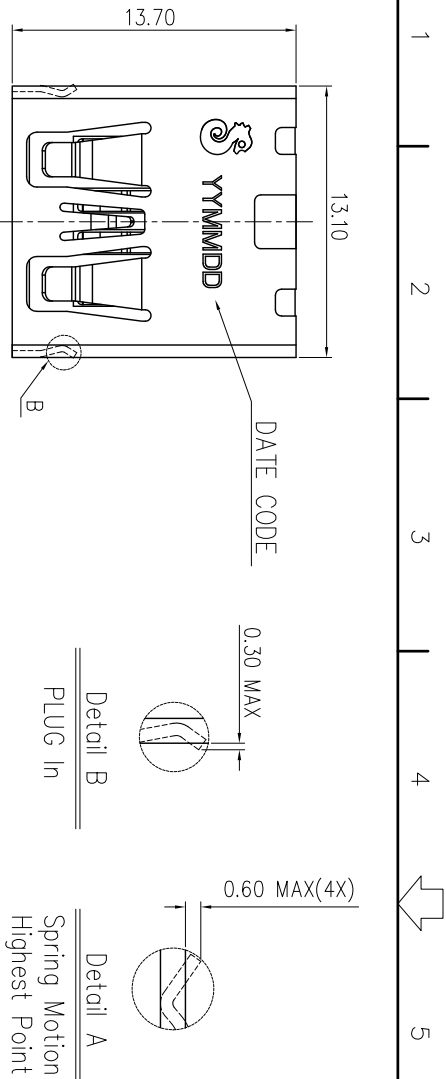


REV	ECN NO	OR DESCRIPTION	REVISED	DATE
A		PRODUCT RELEASE	HEWEI	2012.07.11
B	ICN:C120323	ADD TOLERANCE	DAOWEN	2012.12.28
C	ICN:C130269	UPDATE DRAWING	TFY	2014.4.21

SPECIFICATIONS:

1. ELECTRICAL CHARACTERISTICS:
 - 1-1. CURRENT RATING: 1.8A (PIN1,4) ; OTHER CONTACTS 0.25A
 - 1-2. CONTACT RESISTANCE: 30mΩ MAX.
 - 1-3. DIELECTRIC WITHSTANDING VOLTAGE: 500V AC FOR 1 MINUTE
 - 1-4. INSULATION RESISTANCE: 100MΩ MIN
2. MECHANICAL CHARACTERISTICS:
 - 2-1. INSERTION FORCE : 35N MAX
 - 2-2. WITHDRAWAL FORCE : 8N MIN
 3. DURABILITY: 1500 CYCLES.
 4. OTHER SPEC TO REFER USB 2.0 SPEC.
 5. TO CONFORM TO SINGATRON HAZARDOUS SUBSTANCE FREE SPEC.
 6. HALOGEN FREE PRODUCT IDENTIFICATION MARK :
 7. HALOGEN FREE PRODUCT IDENTIFICATION LABEL ON PACKAGING:
 8. FOR REFLOW SOLDERING LEAD-FREE PROCESS.
 9. PACKAGING : TAPE & REEL.



NO	DESCRIPTION	QTY	MATERIAL	PLATING & COLOR
C	TERMINAL	4	COPPER ALLOY 0.25T	ON CONTACT AREA, ON SOLDER TAIL, ALL OVER 80μ NICKEL PLATED
B	SHELL	1	STAINLESS STEEL 0.3T	NICKEL PLATED
A	HOUSING	1	THERMOPLASTIC	BLACK

UNLESS OTHERWISE SPECIFIED TOLERANCES

DECIMALS: ANGLES: X : ±2° X.X : ±0.3 X.X.X : ±1' X.XX : ±0.2

TITLE: USB2.0 REVERSE CONNECTOR

DWN: REV: 14/4/29 PART NO: 2UB4022-001121F

CHKD: ZIZ: 14/4/29 SCALE: 4:1 UNIT: mm

APVD: LUD: 14/4/29 SIZE: A3 SHEET: 10F1 REV: C

Singatron Enterprise Co., Ltd.
信晉企業股份有限公司

CUSTOMER COPY