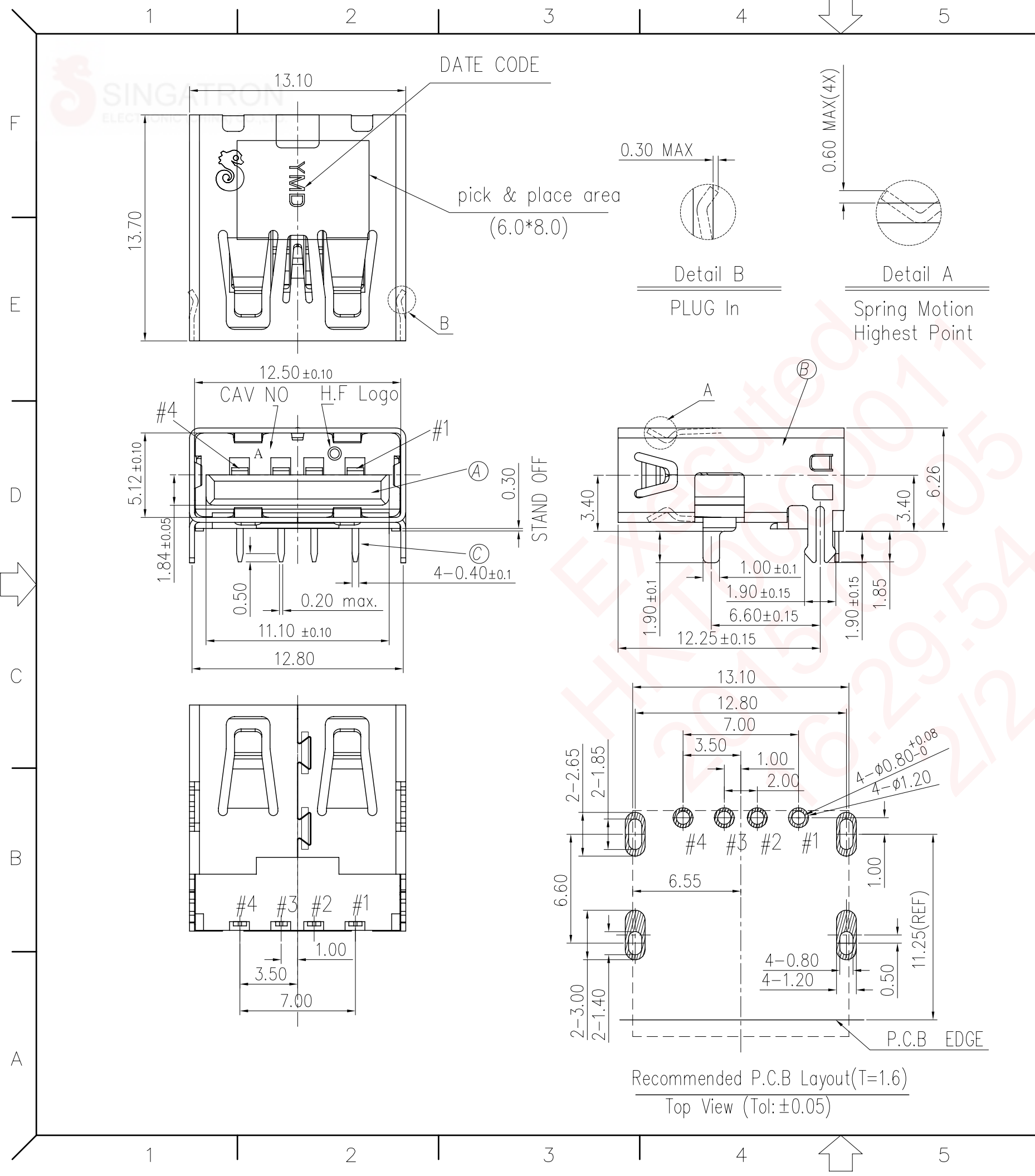
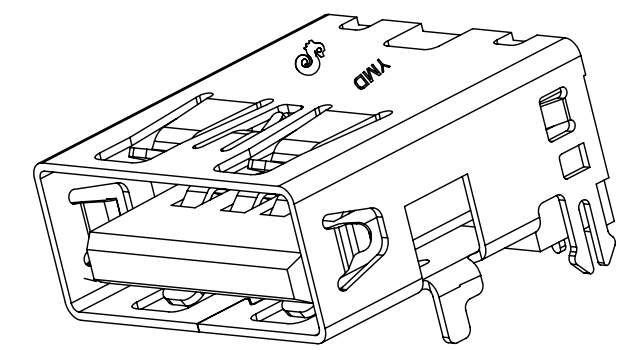


REV.	ECN NO OR DESCRIPTION	REVISED	DATE
A	PRODUCT RELEASE	WANG-TANG	2015.07.29



SPECIFICATIONS:

- ELECTRICAL CHARACTERISTICS:
  - CURRENT RATING: 1.8A (PIN1,4) ; OTHER CONTACTS 0.25A
  - CONTACT RESISTANCE: 30mΩ MAX.
  - DIELECTRIC WITHSTANDING VOLTAGE: 500V AC FOR 1 MINUTE
  - INSULATION RESISTANCE: 100MΩ MIN.
- MECHANICAL CHARACTERISTICS:
  - INSERTION FORCE : 35N MAX.
  - WITHDRAWAL FORCE : 8N MIN.
- DURABILITY: 1500 CYCLES.
- OTHER SPEC TO REFER 2UB4022 SERIES SPEC.
- TO CONFORM TO SINGATRON HAZARDOUS SUBSTANCE FREE SPEC.
- HALOGEN FREE PRODUCT IDENTIFICATION MARK :
- HALOGEN FREE PRODUCT IDENTIFICATION LABEL ON PACKAGING:
- FOR REFLOW SOLDERING LEAD-FREE PROCESS.
- PACKAGING : TAPE & REEL.



C	TERMINAL	4	PHOSPHOR BRONZE C5210-EH 0.25T	GOLD 2u" OVER PD/Ni 30u" ON CONTACT AREA, MATTE TIN 120u" ON SOLDE TAIL, ALL OVER 80u" NICKEL PLATED
B	SHELL	1	STAINLESS STEEL 0.3T	NICKEL PLATED
A	HOUSING	1	LCP+30%GF E130i UL 94V-0	BLACK
NO	DESCRIPTION	QTY	MATERIAL	PLATING & COLOR
UNLESS OTHERWISE SPECIFIED TOLERANCES		Singatron Enterprise Co., Ltd. 信音企業股份有限公司 研發部(CS)		
DECIMALS: ANGLES:		TITLE: USB 2.0 CONNECTOR		
X	: ±0.5	X	: ±2°	DWN Wang-Tang 15/8/04 PART NO. 2UB4022-001131F
X.X	: ±0.3	X.X	: ±1°	CHKD Stone-Zhu 15/8/04 SCALE 1:1 UNIT: mm
X.XX	: ±0.2	APVD	Zjz-Zhou 15/8/04	SIZE: A3 SHEET: 10F1 REV: A
CUSTOMER COPY				