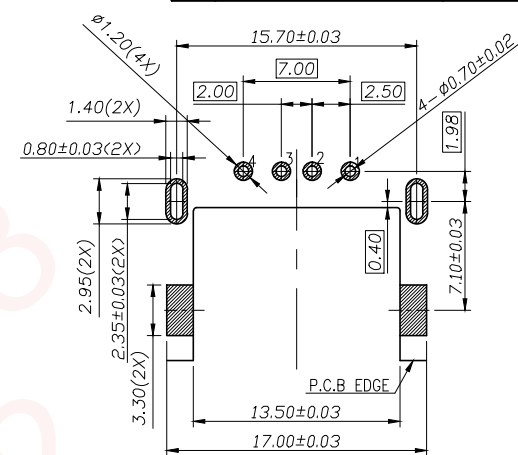
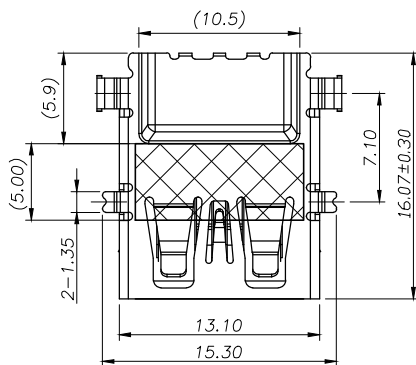


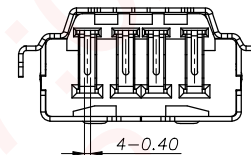
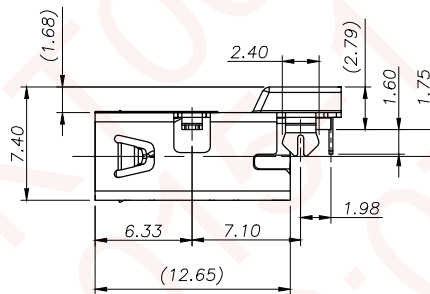
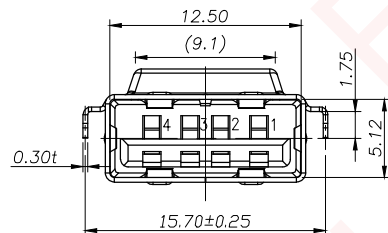
REV.	ECN NO OR DESCRIPTION	REVISED	DATE
D	ECN NO : S121223	Angus	2013.05.24
E	ECN NO : S140508	SEAN	2014.09.09
F	ECN NO : S151214-C	PENG	2015.12.10

SPECIFICATIONS:

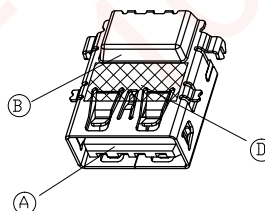
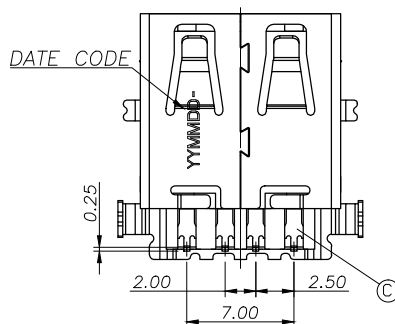
- ELECTRICAL CHARACTERISTICS:**
 - CONTACT RESISTANCE:**
30mΩ maximum when measured at 20MV maximum open circuit at 100mA
 - DIELECTRIC WITHSTANDING VOLTAGE:**
The dielectric must withstand 500V AC Max With 1 Minute
 - INSULATION RESISTANCE:**
1000MΩ minimum
 - CURRENT RATING:**
1.5A at 250V AC minimum when measured at an ambient temperature of 25° C
- MECHANICAL CHARACTERISTICS:**
 - INSERTION FORCE :** 3.5 Kgf MAX.
 - WITHDRAWAL FORCE :** 1.0 Kgf MIN.
- TO CONFORM TO SINGATRON HAZARDOUS SUBSTANCE FREE SPEC.
- HALOGEN FREE PRODUCT IDENTIFICATION MARK ON JACK:
- HALOGEN FREE PRODUCT IDENTIFICATION LABEL ON PACKAGING:
- FOR IR-REFLOW LEAD-FREE PROCESS.
- DATE : YYMMDD
- PACKAGING : TAPE & REEL.



Recommended P.C.B Layout (THICKNESS=1.2mm)
(Component Side) TOLERANCE=±0.03



Pin Number	Signal NAME
1	VBUS
2	D-
3	D+
4	GND



D	Mylar	1	KAPTON	YELLOW
C	TERMINAL	4	PHOSPHOR BRONZE	GOLD FLASH PLATED ON MATING AREA, Matt. Sn 100u"Min-PLATED ON SOLDERING 60u"NICKEL UNDER PLATING OVERALL
B	SHELL	1	STEEL	NICKEL 60u"MIN
A	HOUSIN	1	HIGH THERMOPLASTIC	BLACK
NO	DESCRIPTION	QTY	MATERIAL	PLATING & COLOR

UNLESS OTHERWISE SPECIFIED TOLERANCES		Singatron Enterprise Co., Ltd. 信音企業股份有限公司		
DECIMALS:	ANGLES:	TITLE: USB 2.0 REVERSE CONNECTOR		
X :±0.5	X :±2°	DWN	PENG	PART NO. 2UB4026-200111F
X.X :±0.3	X.X :±1°	CHKD	JAMES	SCALE 1:1 UNIT: mm
X.XX :±0.2		APVD	BOYE	SIZE: A3 SHEET: 1 OF 1 REV: F
CUSTOMER COPY				