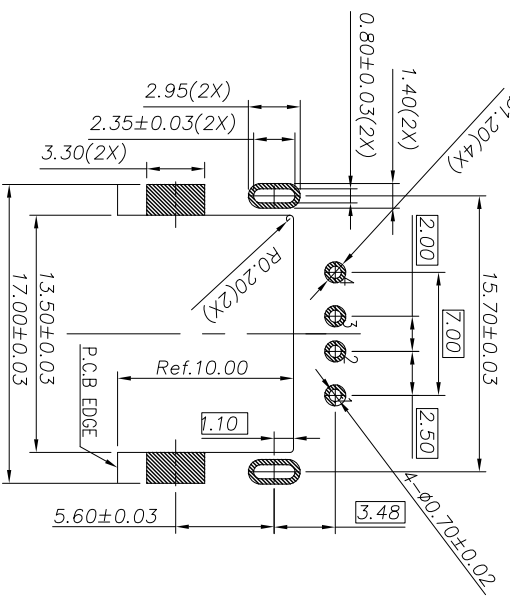
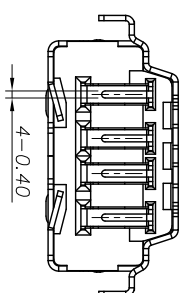
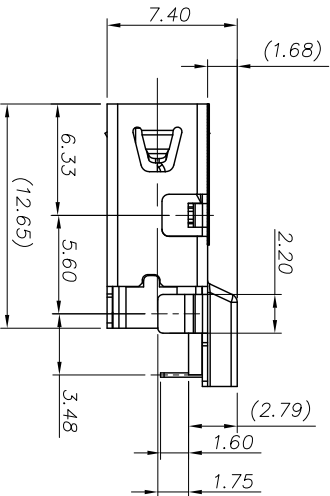
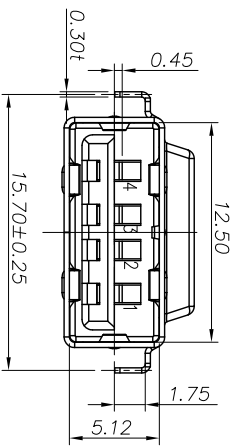
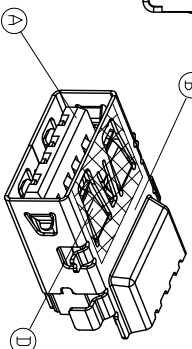


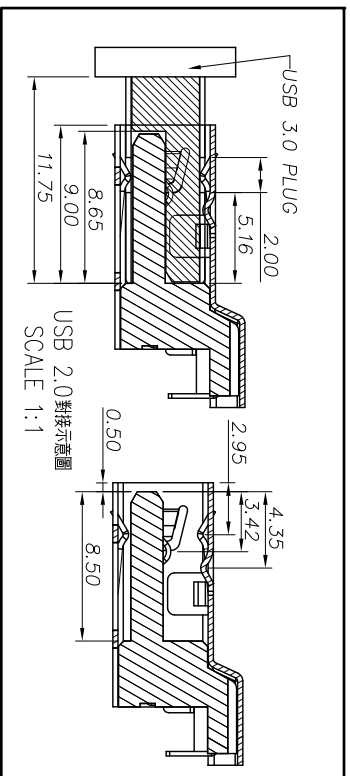
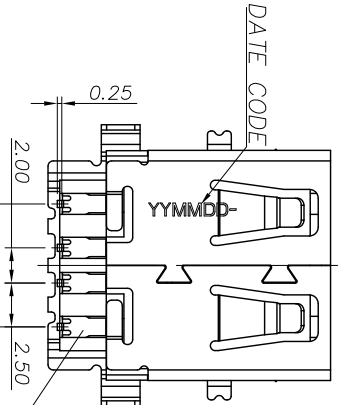
1. ELECTRICAL CHARACTERISTICS:
- 1-1. CONTACT RESISTANCE: 30mΩ maximum when measured at 20MV maximum open circuit at 100mA
 - 1-2. DIELECTRIC WITHSTANDING VOLTAGE: The dielectric must withstand 500V AC Max With 1 Minute
 - 1-3. INSULATION RESISTANCE: 1000MΩ minimum
 - 1-4. CURRENT RATING: 1.5A at 250V AC minimum when measured at an ambient temperature of 25°C
2. MECHANICAL CHARACTERISTICS:
- 2-1. INSERTION FORCE : 3.5 Kgf MAX
 - 2-2. WITHDRAWAL FORCE : 1.0 Kgf MIN
 - 3. TO CONFORM TO SINGATRON HAZARDOUS SUBSTANCE FREE SPEC.
 - 4. HALOGEN FREE PRODUCT IDENTIFICATION MARK ON JACK: ©
 - 5. HALOGEN FREE PRODUCT IDENTIFICATION LABEL ON PACKAGING: ©
 - 6. FOR IR RE-FLOW PROCESS.
 - 7. DATE : YMMDD
 - 8. PACKAGING : TAPE & REEL.



Recommended P.C.B Layout (THICKNESS=1.2mm)
(Component Side) TOLERANCE=±0.03



Pin Number	Signal NAME
1	VBUS
2	D-
3	D+
4	GND



D	Mylar	1	KAPTON	YELLOW
C	TERMINAL	4	PHOSPHOR BRONZE	GOLD FLASH PLATED ON MATING AREA. HARD Sn 100% PLATED ON SOLDERING 600 NICKEL UNDER PLATING OVERALL
B	SHELL	1	STEEL	NICKEL 60U"MIN
A	HOUSIN	1	HIGH THERMOPLASTIC	BLACK
NO	DESCRIPTION	QTY	MATERIAL	PLATING & COLOR

UNLESS OTHERWISE SPECIFIED TOLERANCES

Singatron Enterprise Co., Ltd.
信管企業股份有限公司

DECIMALS:	ANGLES:	TITLE
X : ±0.5	X : ±2°	USB 2.0 REVERSE CONNECTOR
X.X : ±0.3	X.X : ±1°	PART NO. 2UB4026-500111F
X.XX : ±0.2		SCALE 1:1
		UNIT: mm
		SIZE: A3
		SHEET: 1 OF 1
		REV: B

CUSTOMER COPY