
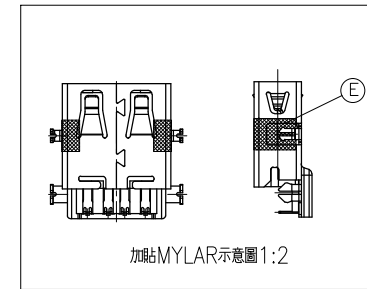
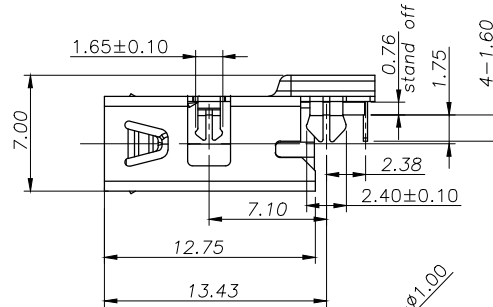
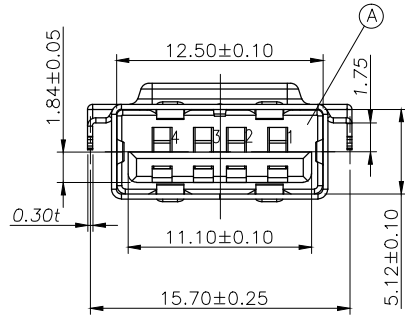
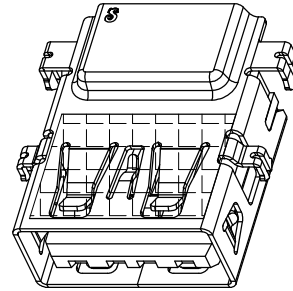
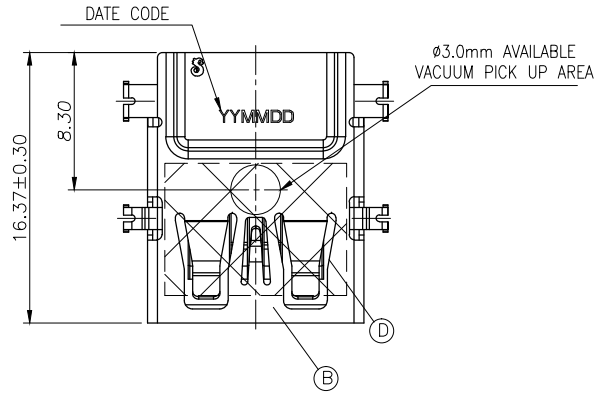


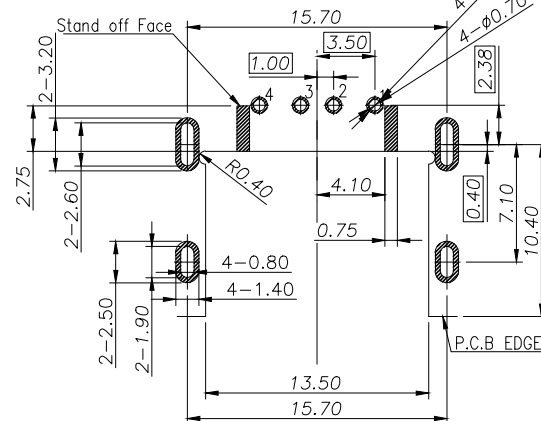
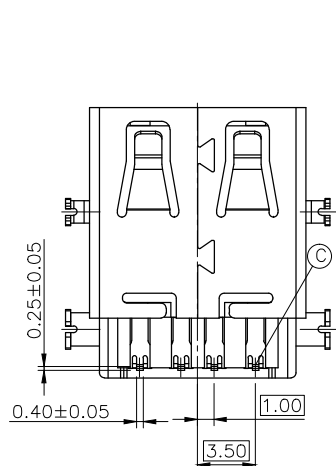
REV.	ECN NO OR DESCRIPTION	REVISED	DATE
A	PDR NO:T131017-3A	FLY	2014.04.08
B	ECN NO:S140512	SEAN	2014.09.09

SPECIFICATIONS:

- ELECTRICAL CHARACTERISTICS:
 - CONTACT RESISTANCE: 30mΩ maximum when measured at 20mV maximum open circuit at 100mA
 - DIELECTRIC WITHSTANDING VOLTAGE: The dielectric must withstand 500V AC Max With 1 Minute
 - INSULATION RESISTANCE: 1000M Ω minimum
 - CURRENT RATING: 1.5A at 250V AC minimum when measured at an ambient temperature of 25°C
- MECHANICAL CHARACTERISTICS:
 - INSERTION FORCE : 3.5 Kgf MAX.
 - WITHDRAWAL FORCE : 1.0 Kgf MIN.
- TO CONFORM TO SINGATRON HAZARDOUS SUBSTANCE FREE SPEC.
- HALOGEN FREE IDENTIFICATION MARK ON JACK: Ⓢ
- HALOGEN FREE IDENTIFICATION LABEL ON PACKAGING: 
- FOR IR-REFLOW LEAD-FREE PROCESS.
- DATE : YYMMDD-
- PACKAGING : TAPE & REEL.



Pin Number	Signal NAME
1	VBUS
2	D-
3	D+
4	GND



Recommended P.C.B Layout (THICKNESS=1.2mm)
(Component Side) TOLERANCE=±0.03

E	MYLAR	2	KAPTON 8.0x4.0	YELLOW
D	MYLAR	1	KAPTON 11.0x8.0	YELLOW
C	TERMINAL	4	COOPER ALLOY	1µin Au OVER PLATED ON MATING AREA 100µin MATTE Sn PLATED ON SOLDERING 50µin Ni UNDER PLATING OVERALL
B	SHELL	1	STAINLESS STEEL	NICKEL 60µin MIN
A	HOUSING	1	PA10T UL94V-0	BLACK
NO	DESCRIPTION	QTY	MATERIAL	PLATING & COLOR

UNLESS OTHERWISE SPECIFIED TOLERANCES

DECIMALS: ANGLES:
X :±0.5 X :±2°
X.X :±0.3 X.X :±1°
X.XX :±0.2

Singatron Enterprise Co., Ltd. 信音企業股份有限公司	
TITLE	USB 2.0 REVERSE CONNECTOR
DWN	SEAN PART NO.2UB4026-700111F
CHKD	CERRY SCALE 1:1 UNIT: mm
APVD	LUSSEN SIZE: A3 SHEET:1 OF 1 REV: B
CUSTOMER COPY	