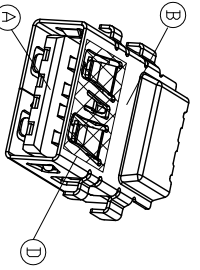
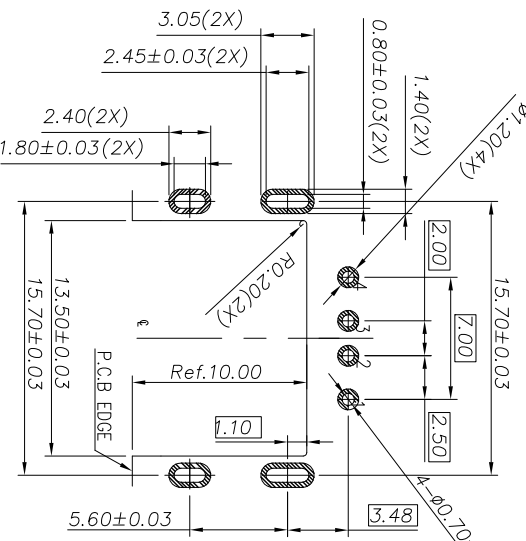
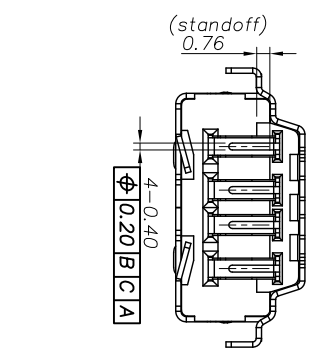
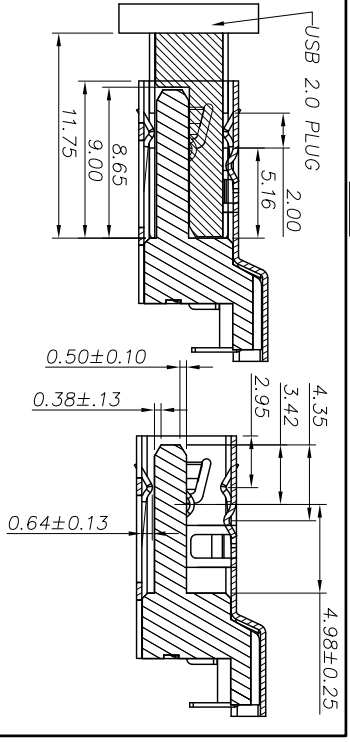
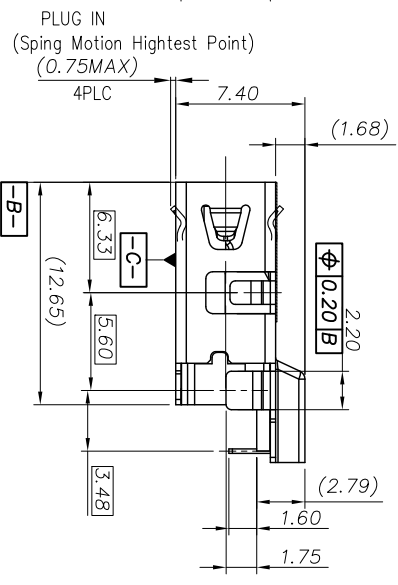


- SPECIFICATIONS:
1. ELECTRICAL CHARACTERISTICS:
- CONTACT RESISTANCE: 30mΩ maximum when measured at 20mV maximum open circuit at 100mA
 - ELECTRIC WITHSTANDING VOLTAGE: The dielectric must withstand 500V AC Max with 1 Minute
 - INSULATION RESISTANCE: 1000MΩ minimum
 - CURRENT RATING: 1.5A at 250V AC minimum when measured at an ambient temperature of 25 °C
2. MECHANICAL CHARACTERISTICS:
- INSERTION FORCE: 3.5 Kgf MAX
 - WITHDRAWAL FORCE: 1.0 Kgf MIN
 - TO CONFORM TO SINGATRON HAZARDOUS SUBSTANCE FREE SPEC.
 - HALOGEN FREE PRODUCT IDENTIFICATION MARK ON JACK: ☉
 - HALOGEN FREE PRODUCT IDENTIFICATION LABEL ON PACKAGING: ☉
 - REPRESENT OPK DIMENSIONS.
 - FOR IR RE-FLOW PROCESS.
 - DATE: YYMMDD
 - PACKAGING: TAPE & REEL.



Recommended P.C.B Layout (THICKNESS=1.2mm)
(Component Side) TOLERANCE=±0.03

D	Material	Quantity	Color	Pin Number	Signal NAME
D	Mylar	1	KAPTON	4	YELLOW
C	TERMINAL	4	PHOSPHOR BRONZE	1	VBUS
B	SHELL	1	STEEL(T=0.30)	2	D-
A	HOUSIN	1	LCP	3	D+
NO	DESCRIPTION	1	MATERIAL	4	GND

UNLESS OTHERWISE SPECIFIED TOLERANCES	ANGLES:	TITLE	SEAN	PART NO.
DECIMALS: X : ±0.5	X : ±2°	USB 2.0 REVERSE CONNECTOR	20B4026	900111F
X.X : ±0.3	X.X : ±1'			
X.XX : ±0.2				

Singatron Enterprise Co., Ltd.
信音企業股份有限公司

UNLESS OTHERWISE SPECIFIED TOLERANCES

DECIMALS: X : ±0.5
X.X : ±0.3
X.XX : ±0.2

ANGLES: X : ±2°
X.X : ±1'

TITLE: USB 2.0 REVERSE CONNECTOR

SEAN: 20B4026
CERRY: 900111F
LIAO: A3

SCALE: 1:1
SIZE: A3
SHEET: 1 OF 1
REV: B

CUSTOMER COPY

