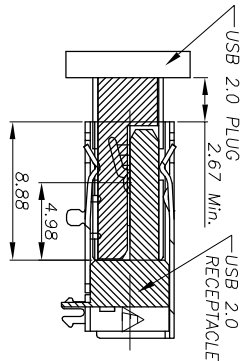
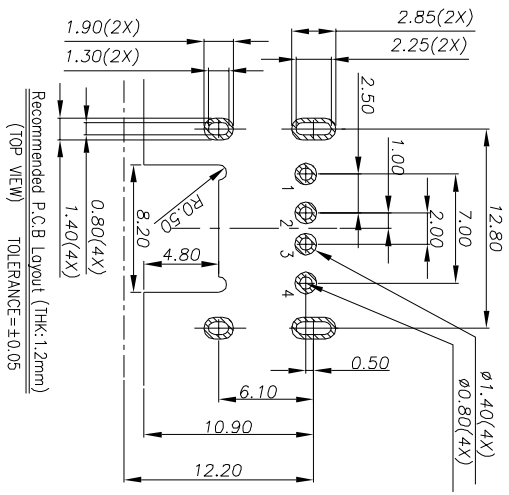
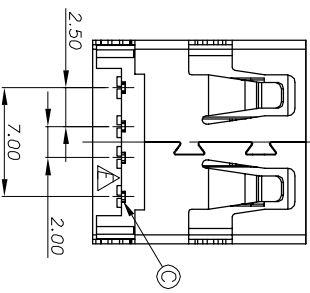
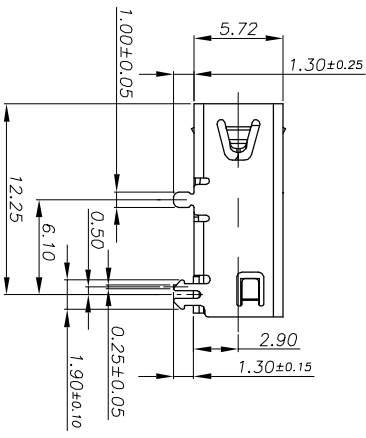
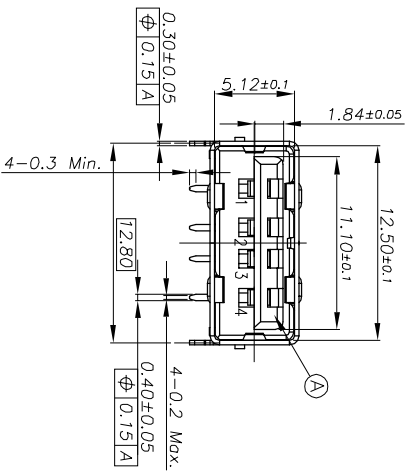


PICK & PLACE
6.0*8.0mm AVAILABLE

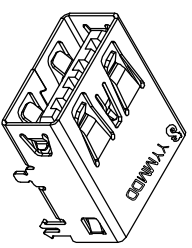


USB 2.0 母插
MATING STATUS SCALE 1:1



REV.	ECN NO OR DESCRIPTION	REVISED	DATE
A	PRODUCT RELEASE	VICTOR	2013.04.02
B	ECN NO :I130046	VICTOR	2013.06.18
C	ECN NO :S150414-C	JIANG	2015.05.18
D	ECN NO :S202010-C08	chenlong	2020.11.04
E	ECN NO :S202011-C02	HAOLAN	2021.05.10

- SPECIFICATIONS:
- ELECTRICAL CHARACTERISTICS:
 - CONTACT RESISTANCE: 30mΩ MAXIMUM WHEN MEASURED AT 20mv MAXIMUM OPEN CIRCUIT AT 100mA.
 - DIELECTRIC WITHSTANDING VOLTAGE: 1-2. THE DIELECTRIC MUST WITHSTAND 500V AC Max. WITH 1 MINUTE.
 - INSULATION RESISTANCE: 1-3. 1000MΩ MINIMUM.
 - CURRENT RATING: 1-4. 1.5A AT 250V AC. MINIMUM WHEN MEASURED AT AN AMBIENT TEMPERATURE OF 25° C.
 - MECHANICAL CHARACTERISTICS:
 - INSERTION FORCE : 3.5 Kgf Max.
 - WITHDRAWAL FORCE : 1.0 Kgf Min.
 - TO CONFORM TO SINGATRON HAZARDOUS SUBSTANCE FREE SPEC.
 - HALOGEN FREE PRODUCT IDENTIFICATION MARK ON JACK:
 - HALOGEN FREE PRODUCT IDENTIFICATION LABEL ON PACKAGING:
 - FOR REFLOW SOLDERING LEAD-FREE PROCESS.
 - DATE : YMMDD.
 - PACKAGING : TAPE & REEL.



Pin Number	Signal NAME
1	VBUS
2	D-
3	D+
4	GND

COULD FLUSH PLATING ON CONTACT AREA,
120min Min. MINERIN PLATING ON SOLDER TAIL
AND SOLDER NICKEL UNDER PLATING.

C	TERMINAL	4	COPPER ALLOY
B	SHELL	1	STAINLESS STEEL
A	HOUSING	1	HIGH THERMOPLASTIC
NO	DESCRIPTION	QTY	MATERIAL

UNLESS OTHERWISE SPECIFIED TOLERANCES

Singaton Enterprise Co., Ltd.
信音企業股份有限公司

DECIMALS:	ANGLES:	TITLE	USB 2.0 CONNECTOR
X : ±0.5	X : ±2°	DWN	hoolan
X.X : ±0.3	X.X : ±1°	CHKD	ALLEN
X.XX : ±0.2		APVD	BOYE

PART NO. 2UB4027-100111F
SCALE 3:1 UNIT: mm
SHEET: 1 OF 1 REV: B
CUSTOMER COPY