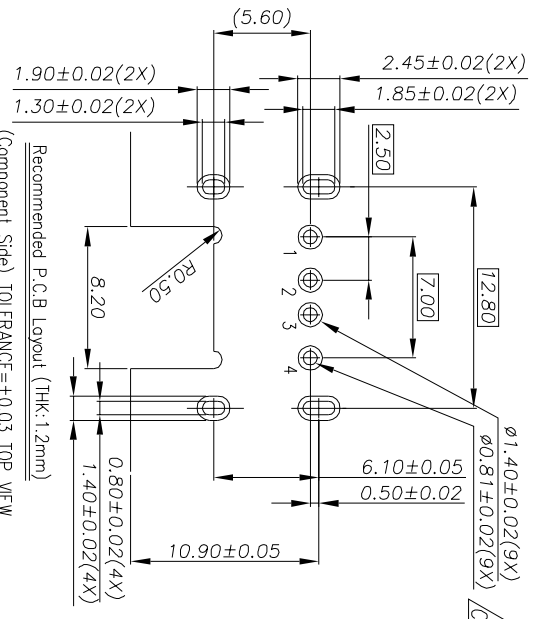
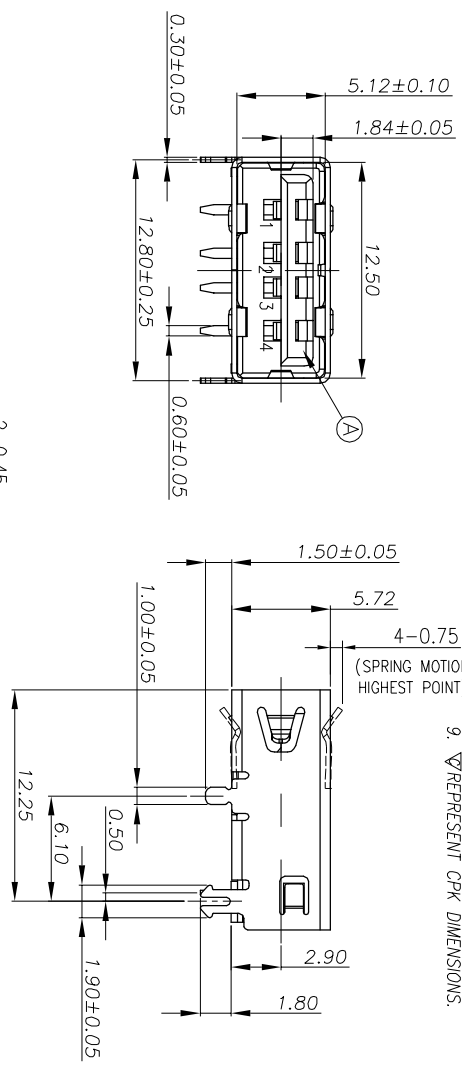
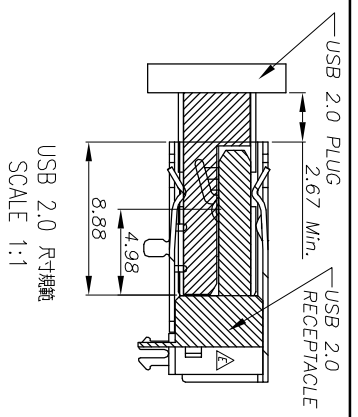
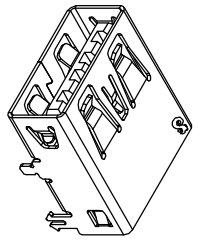
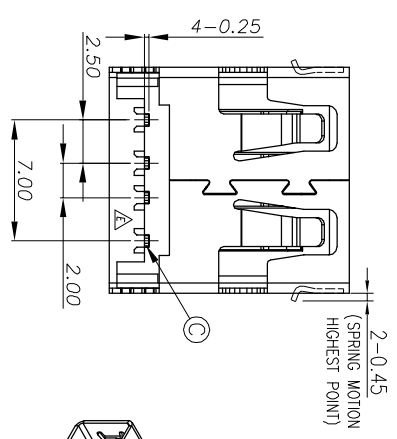


- SPECIFICATIONS:**
- ELECTRICAL CHARACTERISTICS:
    - CONTACT RESISTANCE: 30mΩ maximum when measured at 20mV maximum open circuit at 100mA
    - DIELECTRIC WITHSTANDING VOLTAGE: The dielectric must withstand 500V AC Max With 1 Minute
    - INSULATION RESISTANCE: 1000MΩ minimum
    - CURRENT RATING: 1.5A at 250V AC minimum when measured at an ambient temperature of 25° C
  - MECHANICAL CHARACTERISTICS:
    - INSERTION FORCE : 3.5 Kgf MAX
    - WITHDRAWAL FORCE : 1.0 Kgf MIN
    - TO CONFORM TO SINGATRON HAZARDOUS SUBSTANCE FREE SPEC.
    - HALOGEN FREE IDENTIFICATION MARK IN JACK. ©
    - HALOGEN FREE IDENTIFICATION LABEL ON PACKAGING:
    - FOR IR RE-FLOW PROCESS.
    - DATE : YMMDD
    - PACKAGING : TAPE & REEL.
    - ▽ REPRESENT CRK DIMENSIONS.



Pin Number	Signal NAME
1	VBUS
2	D-
3	D+
4	GND



REV.	ECN NO OR DESCRIPTION	REVISED	DATE
A	PRODUCT RELEASE	VICTOR	2012.09.12
B	ECN NO.: T120125	Duke	2013.05.30
C	ECN NO.: S201911-001	Charles	2019.12.23
D	ECN NO.: S202007-C19	HAOQIAN	2020.12/18
E	ECN NO.: S202012-R30	HAOQIAN	2021.03.02

C	TERMINAL	4	COPPER ALLOY
B	SHELL	1	STAINLESS STEEL
A	HOUSING	1	HIGH THERMOPLASTIC
NO	DESCRIPTION	QTY	MATERIAL
UNLESS OTHERWISE SPECIFIED TOLERANCES			
Singatron Enterprise Co., Ltd. 信營企業股份有限公司			
TITLE: USB 2.0 CONNECTOR			
DWN: HAOLAN PART NO.: SUB4027-120111F			
CHKD: James SCALE: 1:1 UNIT: mm			
APVD: Boye SIZE: A3 SHEET: 1 OF 1 REV: B			

DECIMALS:	ANGLES:
X : ±0.5	X : ±2°
X.X : ±0.3	X.X : ±1°
X.XX : ±0.2	

CUSTOMER COPY