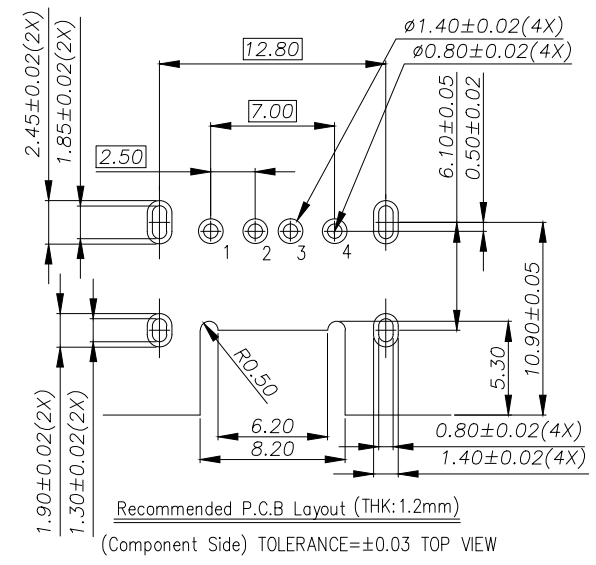
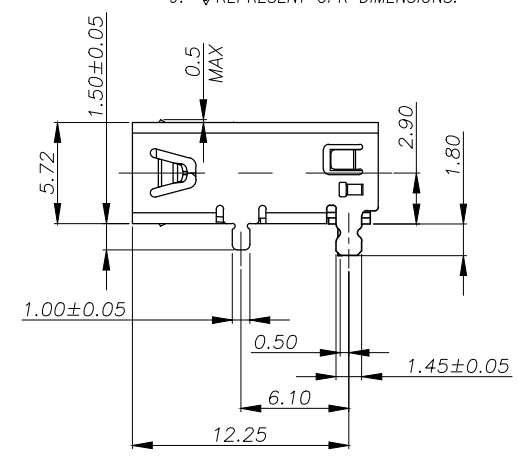
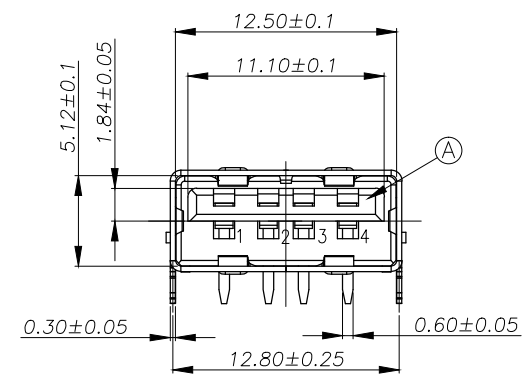
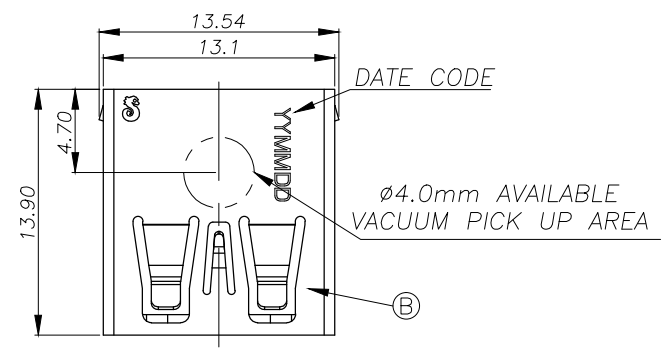


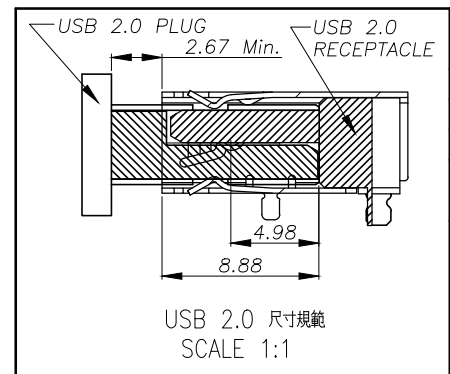
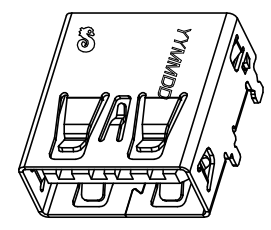
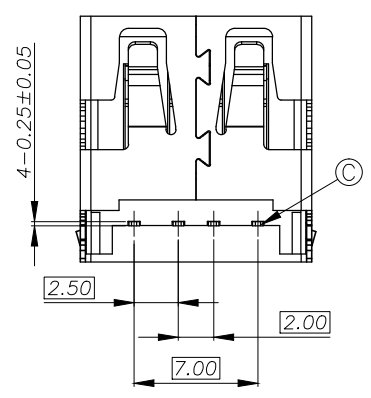
REV.	ECN NO OR DESCRIPTION	REVISED	DATE
A	PDR NO: T140424-5A	Edi.Zhou	2014.09.01
B	ECN NO:S161117-C	PENG	2016.12.20

SPECIFICATIONS:

- ELECTRICAL CHARACTERISTICS:
 - CONTACT RESISTANCE: 30MΩ maximum when measured at 20MV maximum open circuit at 100mA
 - DIELECTRIC WITHSTANDING VOLTAGE: The dielectric must withstand 500V AC Max With 1 Minute
 - INSULATION RESISTANCE: 1000MΩ minimum
 - CURRENT RATING: 1.5A at 250V AC minimum when measured at an ambient temperature of 25° C
- MECHANICAL CHARACTERISTICS:
 - INSERTION FORCE : 3.5 Kgf MAX
 - WITHDRAWAL FORCE : 1.0 Kgf MIN
- TO CONFORM TO SINGATRON HAZARDOUS SUBSTANCE FREE SPEC.
- HALOGEN FREE IDENTIFICATION MARK IN JACK: Ⓢ
- HALOGEN FREE IDENTIFICATION LABEL ON PACKAGING:
- FOR IR RE-FLOW PROCESS.
- DATE : YYMMDD
- PACKAGING : TAPE & REEL.
- ▽ REPRESENT CPK DIMENSIONS.



Pin Number	Signal NAME
1	VBUS
2	D-
3	D+
4	GND



NO	DESCRIPTION	QTY	MATERIAL	PLATING & COLOR
C	TERMINAL	4	COOPER ALLOY	GOLD FLASH PLATED ON MATING AREA, Sn 120u" Min., PLATED ON SOLDERING 50u" NICKEL UNDER PLATING OVERALL
B	SHELL	1	STAINLESS STEEL	NICKEL 60u" MIN
A	HOUSING	1	LCP UL94V-0	BLACK

UNLESS OTHERWISE SPECIFIED TOLERANCES		Singatron Enterprise Co., Ltd. 信音企業股份有限公司	
DECIMALS:	ANGLES:	TITLE	USB 2.0 CONNECTOR
X :±0.5	X :±2°	DWN	peng PART NO.2UB4027-150111F
X.X :±0.3	X.X :±1°	CHKD	james SCALE 1:1 UNIT: mm
X.XX :±0.2		APVD	boye SIZE: A3 SHEET: 1 OF 1 REV: B
CUSTOMER COPY			