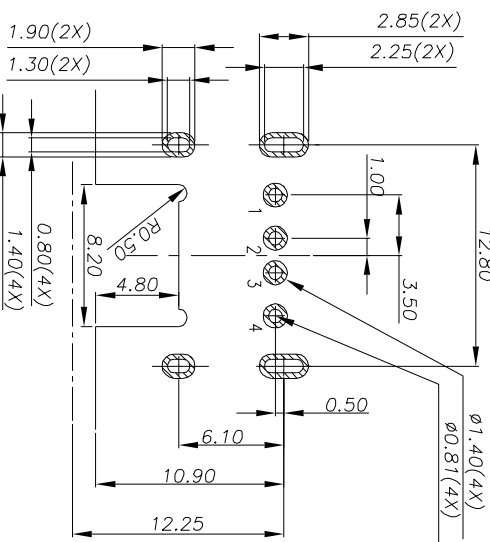
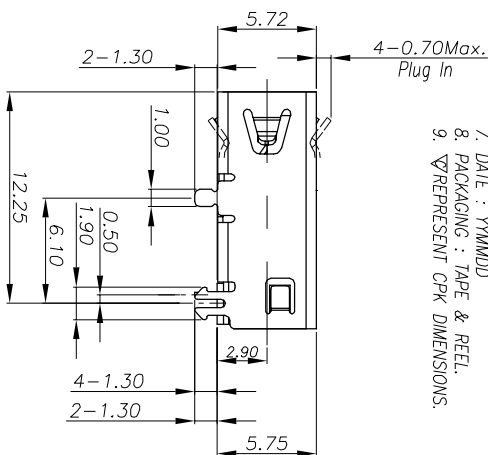
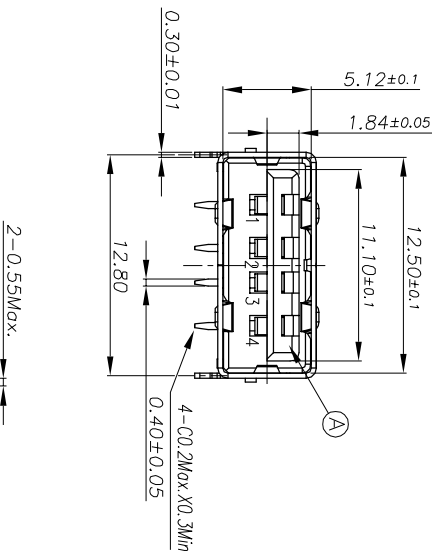
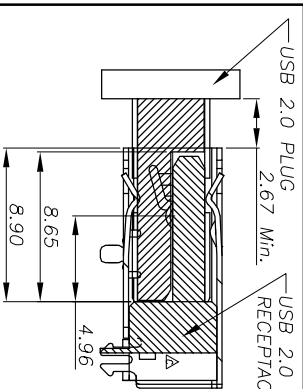
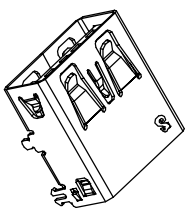
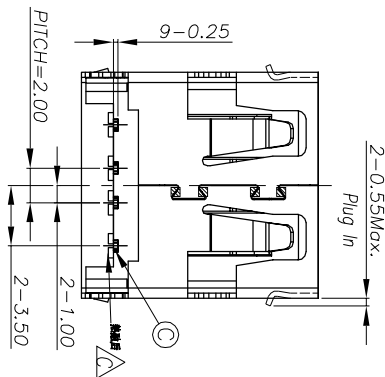


- SPECIFICATIONS:**
- ELECTRICAL CHARACTERISTICS:
 - CONTACT RESISTANCE: 30mΩ maximum when measured at 20mv maximum open circuit at 100mA
 - DIELECTRIC WITHSTANDING VOLTAGE: The dielectric must withstand 500V AC Max With 1 Minute
 - INSULATION RESISTANCE: 1000MΩ minimum
 - CURRENT RATING: 1.5A at 250V AC minimum when measured at an ambient temperature of 25° C
 - MECHANICAL CHARACTERISTICS:
 - INSERTION FORCE : 3.5 Kgf MAX
 - WITHDRAWAL FORCE : 1.0 Kgf MIN
 - TO CONFORM TO SINGATRON HAZARDOUS SUBSTANCE FREE SPEC.
 - HALOGEN FREE PRODUCT IDENTIFICATION MARK IN JACK: ☉
 - HALOGEN FREE PRODUCT IDENTIFICATION LABEL ON PACKAGING: 🌐
 - FOR IR RE-FLOW PROCESS.
 - DATE : YYMMDD
 - PACKAGING : TAPE & REEL.
 - ▽ REPRESENT CRK DIMENSIONS.



Recommended P.C.B Layout (THK: 1.2mm)
(Component Side) TOLERANCE=±0.05

Pin Number	Signal NAME
1	VBUS
2	D-
3	D+
4	GND



C	TERMINAL	4	COPPER ALLOY
B	SHELL	1	STAINLESS STEEL
A	HOUSING	1	HIGH THERMOPLASTIC
NO	DESCRIPTION	QTY	MATERIAL
UNLESS OTHERWISE SPECIFIED TOLERANCES			
Singatron Enterprise Co., Ltd. 信亨企業股份有限公司			
TITLE: USB 2.0 CONNECTOR			
DWN: HAOLIAN PART NO.:SUB4027-180211F			
CHKD: James SCALE: 1:1 UNIT: mm			
APVD: Boye SIZE: A3 SHEET: 1 OF 1 REV: C			

DECIMALS: ANGLES:
X : ±0.5 X : ±2°
X.X : ±0.3 X.X : ±1°
X.XX : ±0.2

CUSTOMER COPY

REV.	ECN NO OR DESCRIPTION	REVISED	DATE
A	PDR NO:T190509-1B	Charles	2019.09.17
B	ECN NO:S202005-C21	BING	2020.06.22
C	ECN NO:S202021-C03	HAOLIAN	2021.03.02