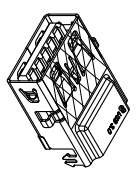
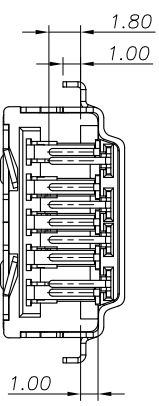
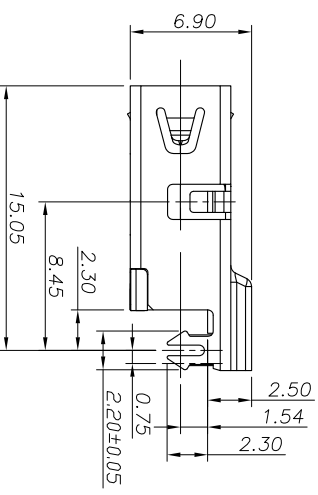


Recommended P.C.B Layout (THICKNESS=1.2mm)
(Component Side) TOLERANCE=±0.03



- SPECIFICATIONS:
- ELECTRICAL CHARACTERISTICS:
 - CURRENT RATING: 1.8A (PIN1,4) ; OTHER CONTACTS 0.25A
 - CONTACT RESISTANCE: 30mΩ MAX
 - DIELECTRIC WITHSTANDING VOLTAGE: 100V AC FOR 1 MINUTE
 - INSULATION RESISTANCE: 100MΩ MIN
 - MECHANICAL CHARACTERISTICS:
 - INSERTION FORCE : 3.5 kgf MAX
 - WITHDRAWAL FORCE : 1.0 kgf (INITIAL), 0.8 kgf (AFTER TEST)
 - DURABILITY: 5,000 CYCLES.
 - TO CONFORM TO SINGATRON HAZARDOUS SUBSTANCE FREE SPEC.
 - HALOGEN PRODUCT IDENTIFICATION LABEL ON JACK: ©
 - FOR IR - REFLOW LEAD-FREE PROCESS.
 - DATE : YYMMDD
 - PACKAGING : TAPE & REEL.

REV.	ECN NO OR DESCRIPTION	REVISED	DATE
A	PRODUCT RELEASE	VICTOR	2011.03.18
B	ECN NO : T110077	VICTOR	2012.02.23
C	ECN NO : T120039	VICTOR	2012.05.07
D	ECN NO : T120127	VICTOR	2012.10.15

Pin Number	Signal ASSIGNMENT
PIN 1	VBUS
PIN 2	D-
PIN 3	D+
PIN 4	GND
PIN 5	SIGDA_S5RX-
PIN 6	SIGDA_S5RX+
PIN 7	GND_DRAIN
PIN 8	SIGDA_S5TX-
PIN 9	SIGDA_S5TX+

F	MYLAR	1	KAPTON 13.0X9.9	YELLOW
E	TERMINAL	5	COOPER ALLOY	GOLD FLASH PLATED ON WIRING AREA, WELD Sn 1000 MIN PLATED ON SOLDERING
D	TERMINAL	4	COOPER ALLOY	600 NICKEL UNDER PLATING OVERALL
C	SHELL	1	STAINLESS STEEL	NICKEL 60U ³ MIN
B	BASE	1	HIGH THERMOPLASTIC	BLUE (300C)
A	HOUSING	1	HIGH THERMOPLASTIC	BLUE (300C)
NO	DESCRIPTION	QTY	MATERIAL	PLATING & COLOR

DECIMALS:	ANGLES:
X : ±0.5	X : ±2°
X.X : ±0.3	X.X : ±1'
X.XX : ±0.2	

UNLESS OTHERWISE SPECIFIED TOLERANCES

TITLE: USB 3.0 REVERSE CONNECTOR

DRAWN: WZOR

CHKD: SCALE 1:1

APVD: ANGEBA 2012.10.15

SIZE: A3 SHEET: 1 OF 1 REV: D

CUSTOMER COPY



Singatron Enterprise Co., Ltd.
信音企業股份有限公司