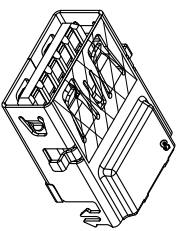
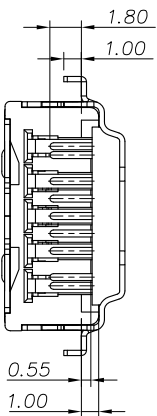
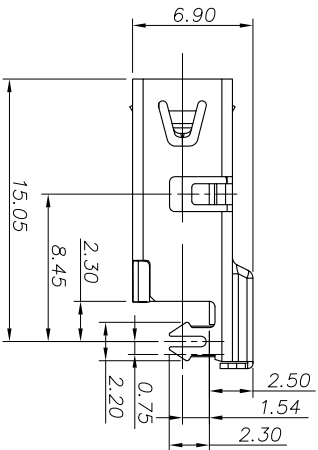
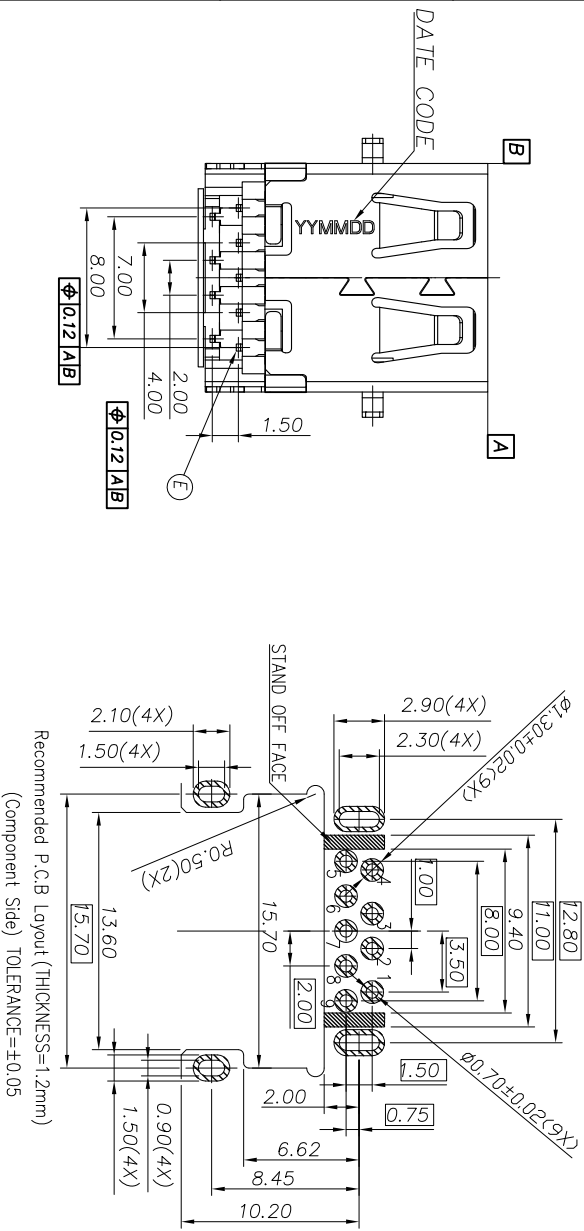


- SPECIFICATIONS:**
- 1. ELECTRICAL CHARACTERISTICS:**
- 1-1. CURRENT RATING: 1.8A (PIN1,4) ; OTHER CONTACTS 0.25A
 - 1-2. CONTACT RESISTANCE: 30mΩ MAX.
 - 1-3. DIELECTRIC WITHSTANDING VOLTAGE: 100V AC FOR 1 MINUTE
 - 1-4. INSULATION RESISTANCE: 100MΩ MIN
 - 2. TO CONFORM TO SINGATRON HAZARDOUS SUBSTANCE FREE SPEC.
 - 3. HALOGEN FREE PRODUCT IDENTIFICATION MARK ON JACK.
 - 4. HALOGEN FREE PRODUCT IDENTIFICATION LABEL ON PACKAGING:
 - 5. FOR WAVE SOLDERING LEAD-FREE PROCESS.
 - 6. DATE : YMMDD
 - 7. PACKAGING : TAPE & REEL.



Pin Number	Signal ASSIGNMENT
PIN 1	VBUS
PIN 2	D-
PIN 3	D+
PIN 4	GND
PIN 5	SDA_SSRX-
PIN 6	SDA_SSRX+
PIN 7	GND_DRAIN
PIN 8	SDA_SSTX-
PIN 9	SDA_SSTX+



Recommended P.C.B Layout (THICKNESS=1.2mm)
(Component Side) TOLERANCE=±0.05

F	MYLAR	1	KAPTON 11.0x8.0	YELLOW
E	TERMINAL	5	COOPER ALLOY	30" Au PLATED ON MATING AREA. 100±5% Ni, 100±5% Ni ON SOLDERING 60±NICKEL UNDER PLATING OVERALL
D	TERMINAL	4	COOPER ALLOY	60±NICKEL UNDER PLATING OVERALL
C	SHELL	1	STAINLESS STEEL	50u" BLACK NICKEL OVERALL
B	BASE	1	HIGH THERMOPLASTIC	BLUE (300C)
A	HOUSING	1	HIGH THERMOPLASTIC	BLUE (300C)
NO	DESCRIPTION	QTY	MATERIAL	PLATING & COLOR

UNLESS OTHERWISE SPECIFIED TOLERANCES

Singatron Enterprise Co., Ltd.
信音企業股份有限公司

TITLE	ANGUS	REVERSE CONNECTOR
DECIMALS:	X : ±0.5	X : ±2°
	X.X : ±0.3	X.X : ±1'
	X.XX : ±0.2	

DWN	ANGUS	PART NO.	2UB4029-000202F
CHKD	CERRY	SCALE	1:1
APVD	MAX	SIZE	A3
		SHEET	1 OF 1
		REV	C

CUSTOMER COPY

REV.	ECN NO OR DESCRIPTION	REVISED	DATE
A	PDR NO: T112021-8A	Remi	2012.02.14
B	ECN NO : T120127	Victor	2012.10.15
C	ECN NO : S121223	ANGUS	2013.06.10