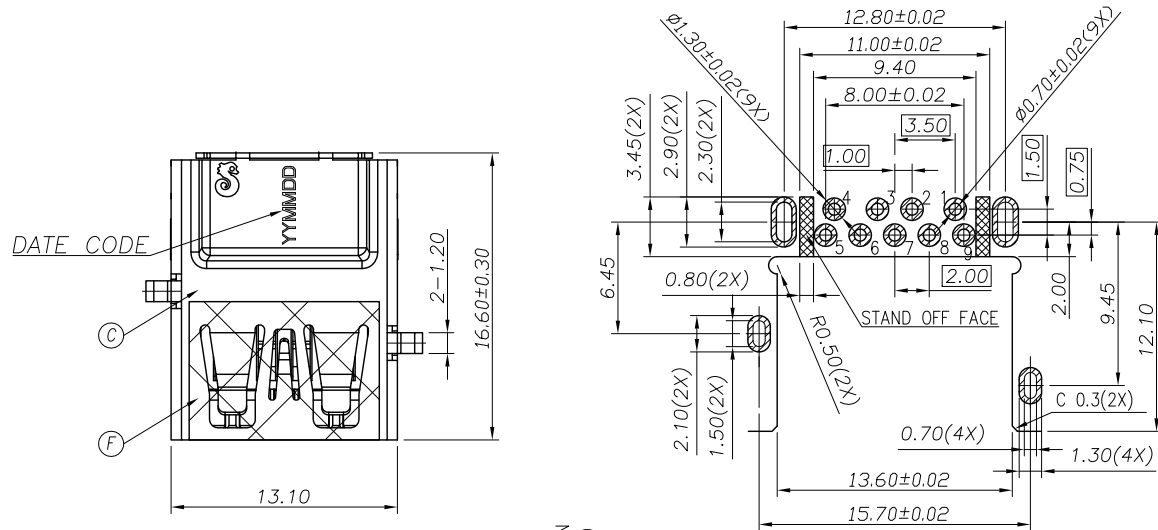


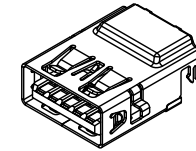
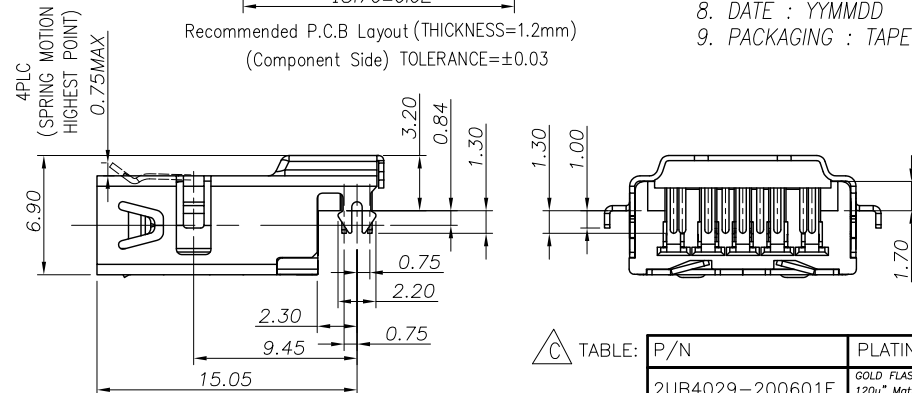
REV.	ECN NO OR DESCRIPTION	REVISED	DATE
A	PDR NO: T130311-4A/4B	Lx-Wu	2013.06.03
B	ECN NO: S170954-R	Chensong	2017.11.09
C	ECN NO: S202005-R10	LAIJUN	2020.05.14



Recommended P.C.B Layout (THICKNESS=1.2mm)
(Component Side) TOLERANCE=±0.03

SPECIFICATIONS:

- ELECTRICAL CHARACTERISTICS:
 - CURRENT RATING: 1.8A (PIN1,4) ; OTHER CONTACTS 0.25A
 - CONTACT RESISTANCE: 30mΩ MAX.
 - DIELECTRIC WITHSTANDING VOLTAGE: 100V AC FOR 1 MINUTE
 - INSULATION RESISTANCE: 100MΩ MIN .
- MECHANICAL CHARACTERISTICS:
 - INSERTION FORCE : 3.5 Kgf MAX
 - WITHDRAWAL FORCE : 1.0 Kgf(INITIAL),0.8Kgf(AFTER TEST)
- DURABILITY: 5,000 CYCLES.
- TO CONFORM TO SINGATRON HAZARDOUS SUBSTANCE FREE SPEC.
- HALOGEN PRODUCT IDENTIFICATION MARK ON JACK:⊙
- HALOGEN PRODUCT IDENTIFICATION LABEL ON PACKAGING:
- FOR IR RE-FLOW PROCESS.
- DATE : YYMMDD
- PACKAGING : TAPE & REEL.



Pin Number	Signal ASSIGNMENT
PIN 1	VBUS
PIN 2	D-
PIN 3	D+
PIN 4	GND
PIN 5	StdA_SSRX-
PIN 6	StdA_SSRX+
PIN 7	GND_DRAIN
PIN 8	StdA_SSTX-
PIN 9	StdA_SSTX+

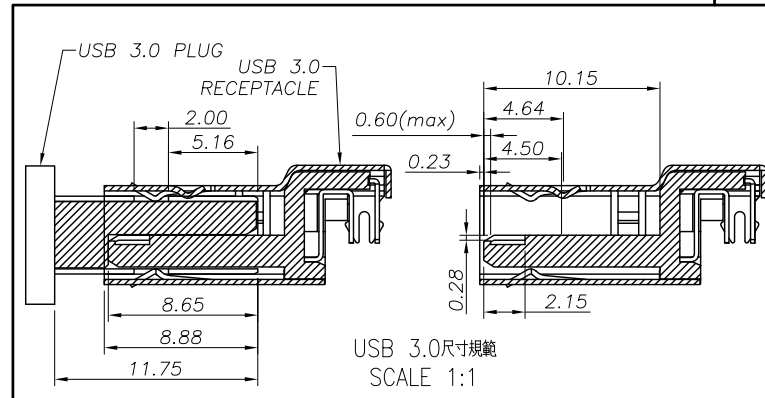
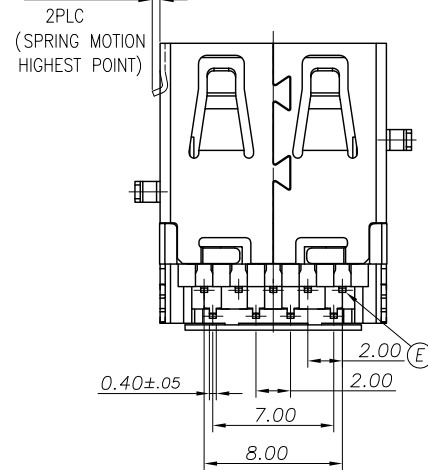


TABLE:

P/N	PLATING	DESCRIPTION
2UB4029-200601F	GOLD FLASH PLATED ON MATING AREA, 120u" Matt. Sn PLATED ON SOLDERING 80u" NICKEL UNDER PLATING OVERALL	N/A

NO	DESCRIPTION	QTY	MATERIAL	PLATING & COLOR
F	SEE "TABLE"	1	KAPTON 11.0x8.0	YELLOW
E	TERMINAL	5	COOPER ALLOY,T=0.25	SEE "TABLE"
D	TERMINAL	4	COOPER ALLOY,T=0.25	SEE "TABLE"
C	SHELL	1	STAINLESS STEEL,T=0.30	NICKEL 60u"MIN
B	BASE	1	HIGH THERMOPLASTIC	BLACK
A	HOUSING	1	HIGH THERMOPLASTIC	BLACK

DECIMALS:	ANGLES:	TITLE
X :±0.5	X :±2°	USB 3.0 REVERSE CONNECTOR
X.X :±0.3	X.X :±1°	DWN LAIJUN PART NO.2UB4029-200X01F
X.XX :±0.2		CHKD James SCALE 1:1 UNIT: mm
		APVD Boye SIZE: A3 SHEET:1 OF 1 REV: C

Singatron Enterprise Co., Ltd.
信音企業股份有限公司

CUSTOMER COPY