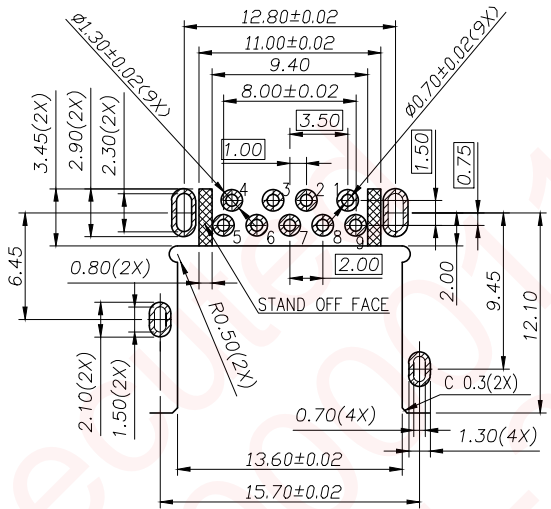
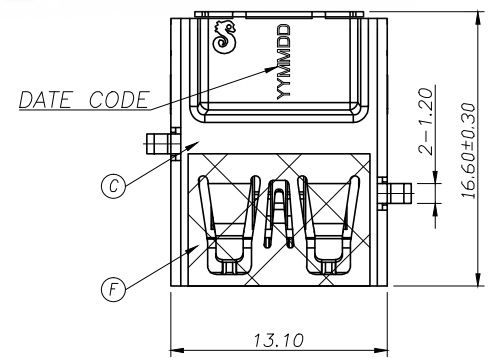


REV.	ECN NO OR DESCRIPTION	REVISED	DATE
A	PDR NO: T130311-4A/4B	Lx-Wu	2013.06.03
B	ECN NO:S141157	SEAN	2015.01.26



Recommended P.C.B Layout (THICKNESS=1.2mm)
(Component Side) TOLERANCE=±0.03

SPECIFICATIONS:

- ELECTRICAL CHARACTERISTICS:
 - CURRENT RATING: 1.8A (PIN1,4) ; OTHER CONTACTS 0.25A
 - CONTACT RESISTANCE: 30mΩ MAX.
 - DIELECTRIC WITHSTANDING VOLTAGE: 100V AC FOR 1 MINUTE
 - INSULATION RESISTANCE: 100MΩ MIN .
- MECHANICAL CHARACTERISTICS:
 - INSERTION FORCE : 3.5 Kgf MAX
 - WITHDRAWAL FORCE : 1.0 Kgf(INITIAL),0.8Kgf(AFTER TEST)
- DURABILITY: 5,000 CYCLES.
- TO CONFORM TO SINGATRON HAZARDOUS SUBSTANCE FREE SPEC.
- HALOGEN FREE PRODUCT IDENTIFICATION MARK ON JACK: ☉
- HALOGEN FREE PRODUCT IDENTIFICATION LABEL ON PACKAGING:
- FOR IR RE-FLOW PROCESS.
- DATE : YMMDD
- PACKAGING : TAPE & REEL.

Pin Number	Signal ASSIGNMENT
PIN 1	VBUS
PIN 2	D-
PIN 3	D+
PIN 4	GND
PIN 5	StdA_SSRX-
PIN 6	StdA_SSRX+
PIN 7	GND_DRAIN
PIN 8	StdA_SSTX-
PIN 9	StdA_SSTX+

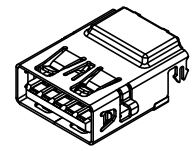
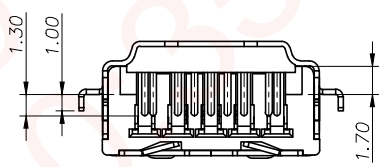
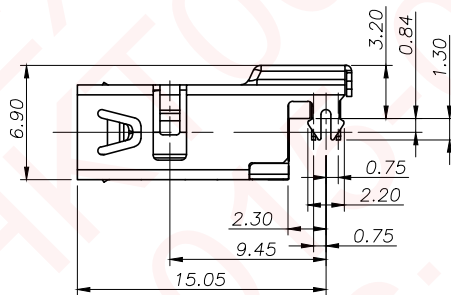
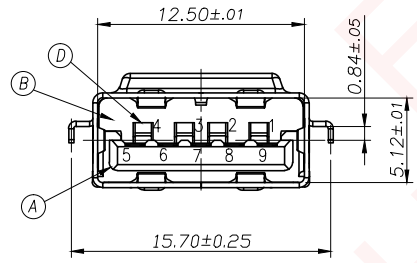
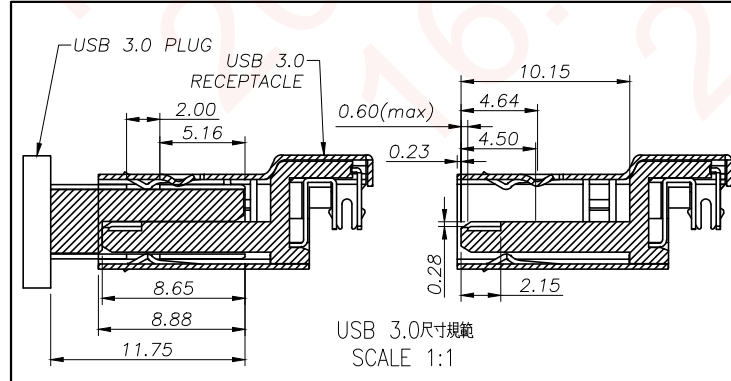
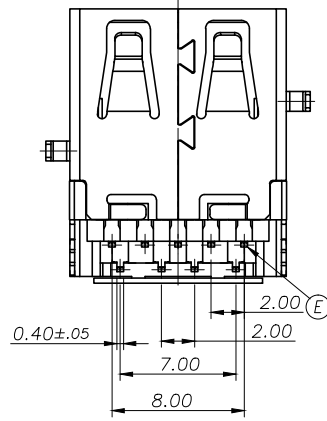


TABLE:



USB 3.0尺寸規範
SCALE 1:1

NO	DESCRIPTION	QTY	MATERIAL	PLATING & COLOR
F	MYLAR	1	KAPTON 11.0x8.0	YELLOW
E	TERMINAL	5	COOPER ALLOY,T=0.25	Au 30u" PLATED ON MATING AREA, 120u" Matt. Sn PLATED ON SOLDERING
D	TERMINAL	4	COOPER ALLOY,T=0.25	80u" NICKEL UNDER PLATING OVERALL
C	SHELL	1	STAINLESS STEEL,T=0.30	NICKEL 60u" MIN
B	BASE	1	HIGH THERMOPLASTIC	BLACK
A	HOUSING	1	HIGH THERMOPLASTIC	BLACK

UNLESS OTHERWISE SPECIFIED TOLERANCES

DECIMALS: ANGLES:

X :±0.5 X :±2°
X.X :±0.3 X.X :±1°
X.XX :±0.2

TITLE	USB 3.0 REVERSE CONNECTOR		
DWN	SEAN	PART NO.2UB4029-200701F	
CHKD	CERRY	SCALE 1:1	UNIT: mm
APVD	LIAO	SIZE: A3	SHEET:1 OF 1
REV: B			

CUSTOMER COPY