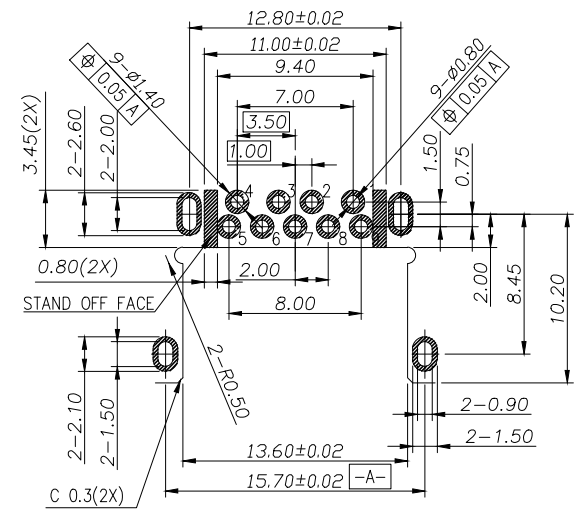
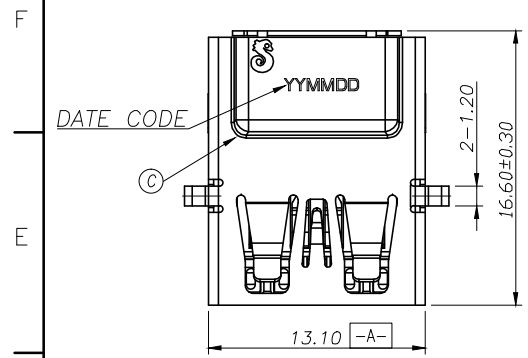
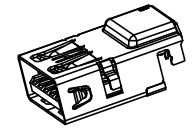
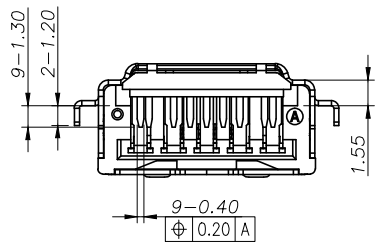
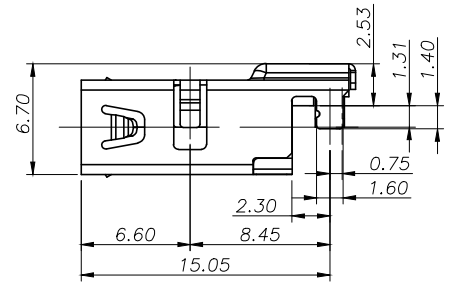
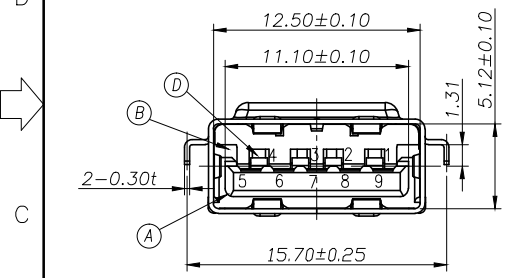


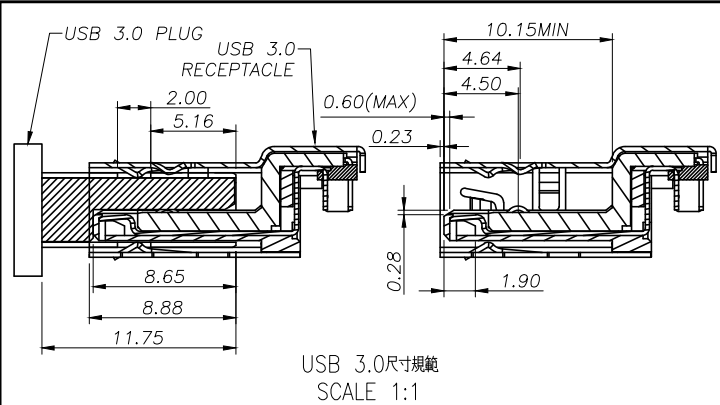
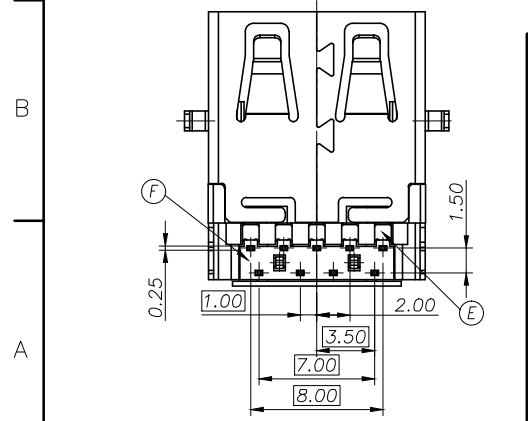
REV.	ECN NO OR DESCRIPTION	REVISED	DATE
A	PDR NO:T151029-3A	JTTLUCKY	2016.08.24



Recommended P.C.B Layout (THICKNESS=1.2mm)
(Component Side) TOLERANCE=±0.03 TOP VIEW



Pin Number	Signal ASSIGNMENT
PIN 1	VBUS
PIN 2	D-
PIN 3	D+
PIN 4	GND
PIN 5	StdA_SSRX-
PIN 6	StdA_SSRX+
PIN 7	GND_DRAIN
PIN 8	StdA_SSTX-
PIN 9	StdA_SSTX+



NO	DESCRIPTION	QTY	MATERIAL	PLATING & COLOR
F	HOUSING COVER	1	PA-9T+45%	BLACK
E	TERMINAL	5	C2680-H T=0.25	20u"Ni OVER 30u"Pd/Ni PLATED ON MATING AREA. Matt. Sn 100u"Min-PLATED ON SOLDERING
D	TERMINAL	4	C5210-EH T=0.25	60u"NICKEL UNDER PLATING OVERALL
C	SHELL	1	SUS304 1/2H T=0.30	NICKEL 60u"MIN
B	BASE	1	PA-9T+45%	BLACK
A	HOUSING	1	PA-9T+45%	BLACK
UNLESS OTHERWISE SPECIFIED TOLERANCES				
DECIMALS: ANGLES:				
X :±0.5 X :±2°				
X.X :±0.3 X.X :±1°				
X.XX :±0.2				
TITLE		USB 3.0 REVERSE CONNECTOR		
DWN	JTTLUCKY	PART NO.2UB4029-300101F		
CHKD	JAMES	SCALE 1:1	UNIT: mm	⊕ ⊖
APVD	BOYE	SIZE: A3	SHEET:1 OF 1	REV: A
CUSTOMER COPY				

- SPECIFICATIONS:
- ELECTRICAL CHARACTERISTICS:
 - CURRENT RATING: 1.8A (PIN1,4) ; OTHER CONTACTS 0.25A
 - CONTACT RESISTANCE: 30mΩ MAX.
 - DIELECTRIC WITHSTANDING VOLTAGE: 100V AC FOR 1 MINUTE
 - INSULATION RESISTANCE: 100MΩ MIN
 - MECHANICAL CHARACTERISTICS:
 - INSERTION FORCE : 3.5 Kgf MAX
 - WITHDRAWAL FORCE : 1.0 Kgf MIN
 - DURABILITY: 5,000 CYCLES.
 - TO CONFORM TO SINGATRON HAZARDOUS SUBSTANCE FREE SPEC.
 - HALOGEN FREE IDENTIFICATION MARK ON JACK: ⊙
 - HALOGEN FREE IDENTIFICATION LABEL ON PACKAGING:
 - FOR WAVE SOLDERING LEAD-FREE PROCESS.
 - DATE : YYMMDD
 - PACKAGING : TAPE & REEL.