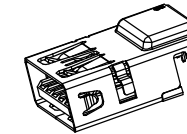
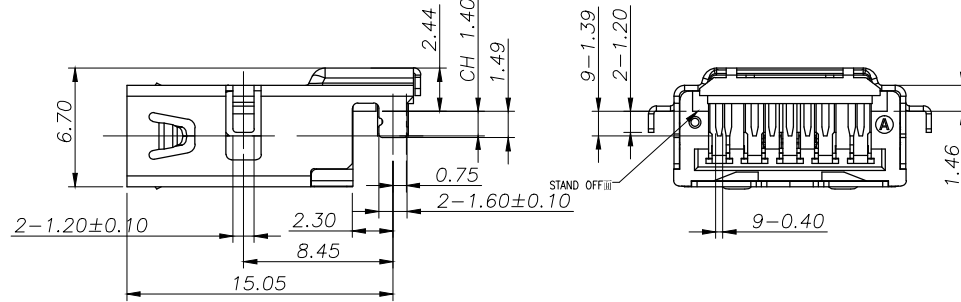
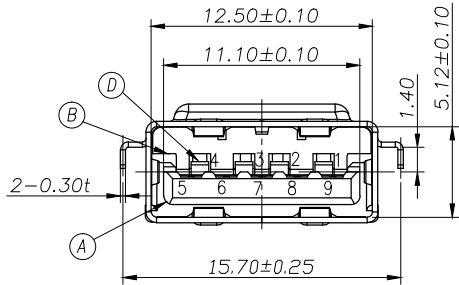
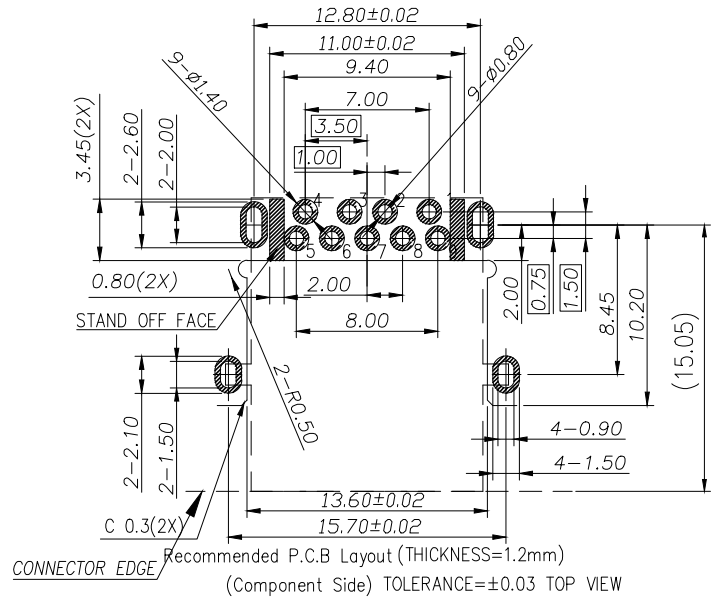
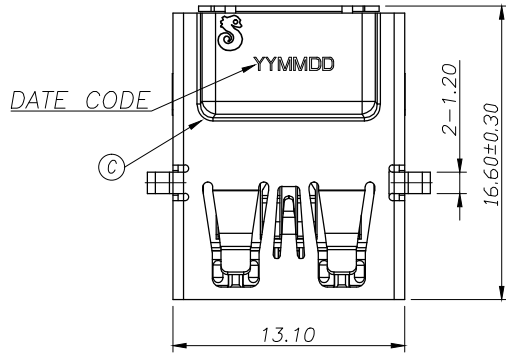
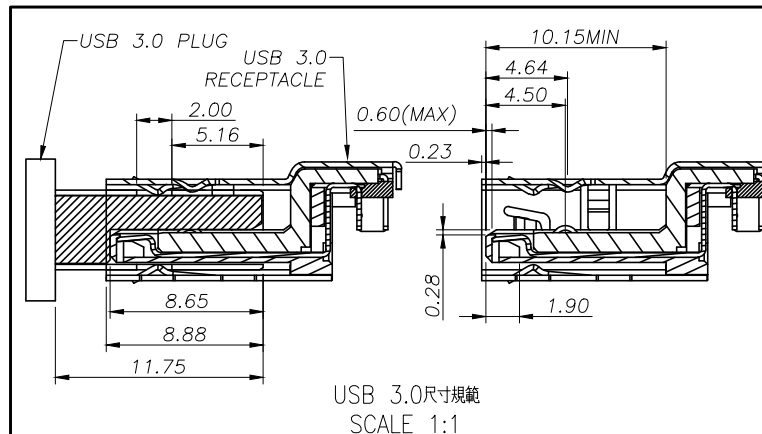
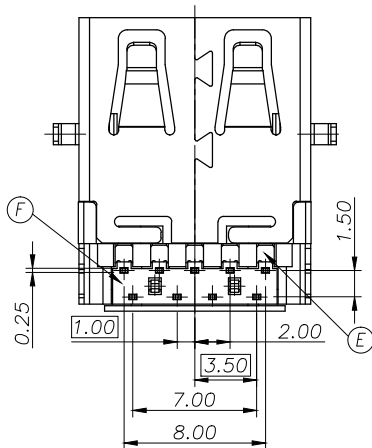


REV.	ECN NO OR DESCRIPTION	REVISED	DATE
A	PDR NO:T160130-1A	peng	2016.10.25



3D VIEW

Pin Number	Signal ASSIGNMENT
PIN 1	VBUS
PIN 2	D-
PIN 3	D+
PIN 4	GND
PIN 5	StdA_SSRX-
PIN 6	StdA_SSRX+
PIN 7	GND_DRAIN
PIN 8	StdA_SSTX-
PIN 9	StdA_SSTX+



USB 3.0尺寸規範
SCALE 1:1

SPECIFICATIONS:

- ELECTRICAL CHARACTERISTICS:
 - CURRENT RATING: 1.8A (PIN1,4) ; OTHER CONTACTS 0.25A
 - CONTACT RESISTANCE: 30mΩ MAX.
 - DIELECTRIC WITHSTANDING VOLTAGE: 100V AC FOR 1 MINUTE
 - INSULATION RESISTANCE: 100MΩ MIN
- MECHANICAL CHARACTERISTICS:
 - INSERTION FORCE : 3.0 Kgf MAX
 - WITHDRAWAL FORCE : 0.35 Kgf MIN
- DURABILITY: 5,000 CYCLES.
- TO CONFORM TO SINGATRON HAZARDOUS SUBSTANCE FREE SPEC.
- HALOGEN FREE IDENTIFICATION MARK ON JACK:
- HALOGEN FREE IDENTIFICATION LABEL ON PACKAGING:
- FOR WAVE SOLDERING LEAD-FREE PROCESS.
- DATE : YYMMDD
- PACKAGING : TAPE & REEL.

NO	DESCRIPTION	QTY	MATERIAL	PLATING & COLOR
F	HOUSING COVER	1	PA-9T+45%	BLACK
E	TERMINAL	5	C2680-H T=0.25	25µAu OVER 30µPd/Ni PLATED ON MATING AREA, Matt. Sn 100µMin. PLATED ON SOLDERING 80µNICKEL UNDER PLATING OVERALL
D	TERMINAL	4	C5210-EH T=0.25	NICKEL 60µ"MIN
C	SHELL	1	SUS304 1/2H T=0.30	NICKEL 60µ"MIN
B	BASE	1	PA-9T+45%	BLACK
A	HOUSING	1	PA-9T+45%	BLACK
UNLESS OTHERWISE SPECIFIED TOLERANCES		Singatron Enterprise Co., Ltd. 信音企業股份有限公司		
DECIMALS: ANGLES:		TITLE USB 3.0 REVERSE CONNECTOR		
X	:±0.5	X	:±2°	DWN peng PART NO.2UB4029-340101F
X.X	:±0.3	X.X	:±1°	CHKD james SCALE 1:1 UNIT: mm
X.XX	:±0.2	APVD boye	SIZE: A3	SHEET: 1 OF 1 REV: A
CUSTOMER COPY				