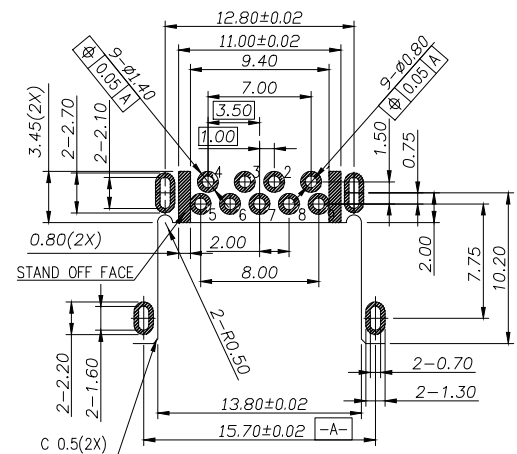
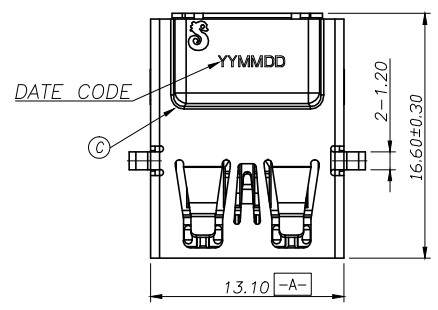
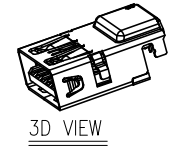
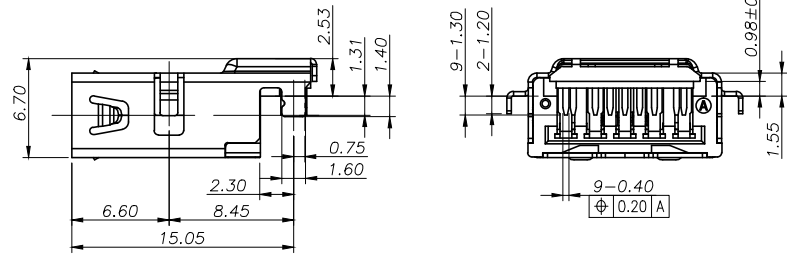
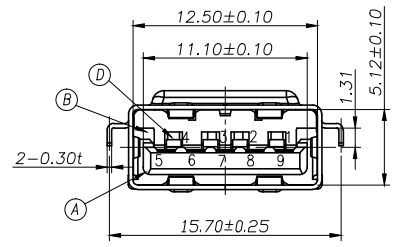


| | | | |
|------|-----------------------|----------|------------|
| REV. | ECN NO OR DESCRIPTION | REVISED | DATE |
| A | PDR NO:T170525-1A | Jttlucky | 2017.07.09 |
| B | ECN NO:S180502-R | ERIC | 2018.07.23 |

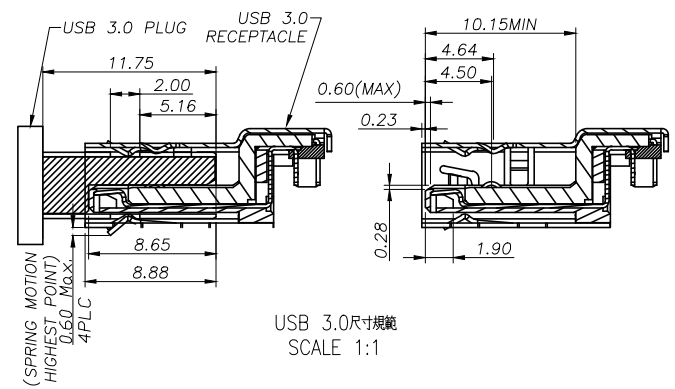
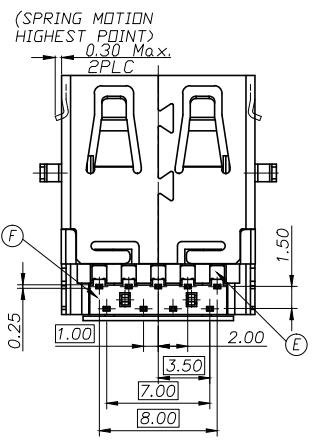


Recommended P.C.B Layout (THICKNESS=1.2mm)
(Component Side) TOLERANCE=±0.03 TOP VIEW

- SPECIFICATIONS:
- ELECTRICAL CHARACTERISTICS:
 - CURRENT RATING: 1.8A (PIN1,4) ; OTHER CONTACTS 0.25A
 - CONTACT RESISTANCE: 30mΩ MAX.
 - DIELECTRIC WITHSTANDING VOLTAGE: 100V AC FOR 1 MINUTE
 - INSULATION RESISTANCE: 100MΩ MIN
 - MECHANICAL CHARACTERISTICS:
 - INSERTION FORCE : 3.5 Kgf MAX
 - WITHDRAWAL FORCE : 1.0 Kgf MIN
 - DURABILITY: 5,000 CYCLES.
 - TO CONFORM TO SINGATRON HAZARDOUS SUBSTANCE FREE SPEC.
 - HALOGEN FREE IDENTIFICATION MARK ON JACK: ☉
 - HALOGEN FREE IDENTIFICATION LABEL ON PACKAGING:
 - FOR WAVE SOLDERING LEAD-FREE PROCESS.
 - DATE : YYMMDD
 - PACKAGING : TAPE & REEL.



| Pin Number | Signal ASSIGNMENT |
|------------|-------------------|
| PIN 1 | VBUS |
| PIN 2 | D- |
| PIN 3 | D+ |
| PIN 4 | GND |
| PIN 5 | StdA_SSRX- |
| PIN 6 | StdA_SSRX+ |
| PIN 7 | GND_DRAIN |
| PIN 8 | StdA_SSTX- |
| PIN 9 | StdA_SSTX+ |



| NO | DESCRIPTION | QTY | MATERIAL | PLATING & COLOR |
|----|---------------|-----|--------------------|--|
| F | HOUSING COVER | 1 | PA-9T+45% | BLUE |
| E | TERMINAL | 5 | C2680-H T=0.25 | 30u" Au PLATED ON MATING AREA, Matt. Sn 100u" Min. PLATED ON SOLDERING |
| D | TERMINAL | 4 | C5210-EH T=0.25 | 60u" NICKEL UNDER PLATING OVERALL |
| C | SHELL | 1 | SUS304 1/2H T=0.30 | NICKEL 60u" MIN |
| B | BASE | 1 | PA-9T+45% | BLUE |
| A | HOUSING | 1 | PA-9T+45% | BLUE |

UNLESS OTHERWISE SPECIFIED TOLERANCES

DECIMALS: ANGLES:

X :±0.5 X :±2°

X.X :±0.3 X.X :±1°

X.XX :±0.2

Singatron Enterprise Co., Ltd.
信音企業股份有限公司

TITLE: USB 3.0 REVERSE CONNECTOR

DWN: ERIC PART NO. 2UB4029-360101F

CHKD: BOYE SCALE 1:1 UNIT: mm

APVD: LIAO SIZE: A3 SHEET: 1 OF 1 REV: B

CUSTOMER COPY