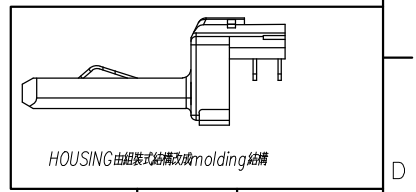
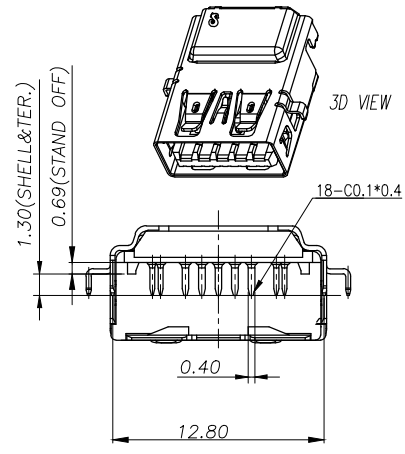
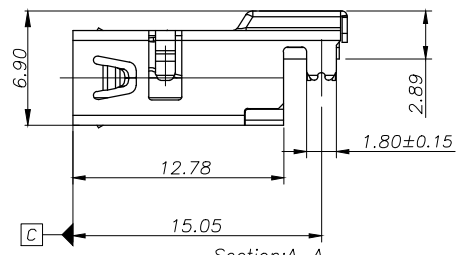
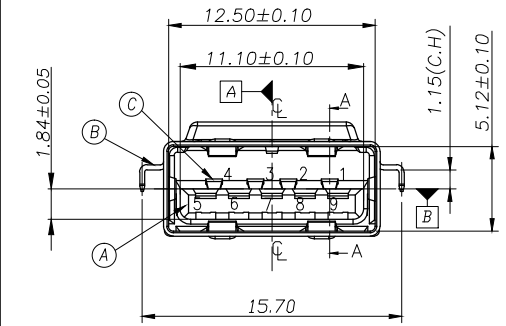
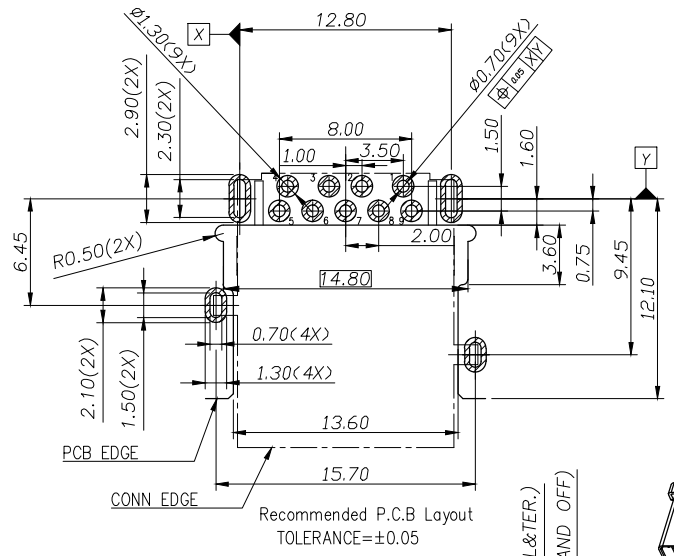
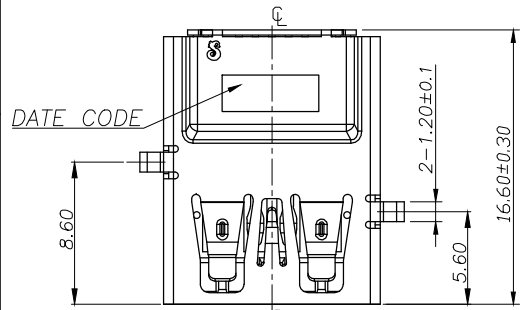


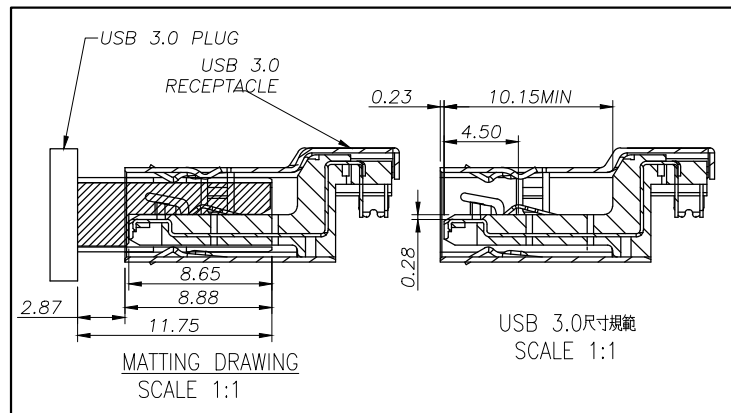
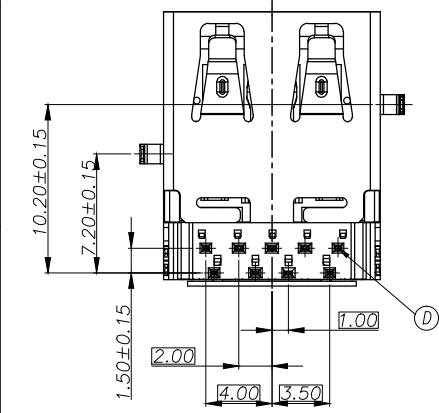
REV.	ECN NO OR DESCRIPTION	REVISED	DATE
A	PDR NO :T170928-4A	ERIC	2018.04.18
B	ECN NO:S180819-C	Charles	2018.12.21

**SPECIFICATIONS:**

- 1. ELECTRICAL CHARACTERISTICS:**  
 1-1. CURRENT RATING: 1.8A (PIN1,4) ; OTHER CONTACTS 0.25A  
 1-2. CONTACT RESISTANCE: 30mΩ MAX.  
 1-3. DIELECTRIC WITHSTANDING VOLTAGE: 100V AC FOR 1 MINUTE  
 1-4. INSULATION RESISTANCE: 100MΩ MIN  
**2. TO CONFORM TO SINGATRON HAZARDOUS SUBSTANCE FREE SPEC.**  
**3. HALOGEN PRODUCT IDENTIFICATION MARK ON JACK: Ⓢ**  
**4. HALOGEN PRODUCT IDENTIFICATION LABEL ON PACKAGING: Ⓢ**  
**5. FOR WAVE SOLDERING LEAD-FREE PROCESS.**  
**6. DATE : YYMMDD**  
**7. PACKAGING : TAPE & REEL.**  
**8. ▽ REPRESENT CPK DIMENSIONS.**



Pin Number	Signal ASSIGNMENT
PIN 1	VBUS
PIN 2	D-
PIN 3	D+
PIN 4	GND
PIN 5	StdA_SSRX-
PIN 6	StdA_SSRX+
PIN 7	GND_DRAIN
PIN 8	StdA_SSTX-
PIN 9	StdA_SSTX+



NO	DESCRIPTION	QTY	MATERIAL	PLATING & COLOR
D	TERMINAL	5	C5210	GOLD FLASH PLATED ON MATING AREA, Mat. Sn 100u"Min. PLATED ON SOLDERING 60u" NICKEL UNDER PLATING OVERALL
C	TERMINAL	4	C5210	
B	SHELL	1	SUS430	NICKEL 60u"MIN
A	HOUSING	1	PA9T	BLACK

UNLESS OTHERWISE SPECIFIED TOLERANCES		Singatron Enterprise Co., Ltd. 信音企業股份有限公司	
DECIMALS:	ANGLES:	TITLE: USB 3.0 REVERSE CONNECTOR	
X : ±0.5	X : ±2°	DWN	Charles PART NO.2UB4029-370101F
X.X : ±0.3	X.X : ±1°	CHKD	James SCALE 1:1 UNIT: mm
X.XX : ±0.2		APVD	Boye SIZE: A3 SHEET: 1 OF 1 REV: B
<b>CUSTOMER COPY</b>			