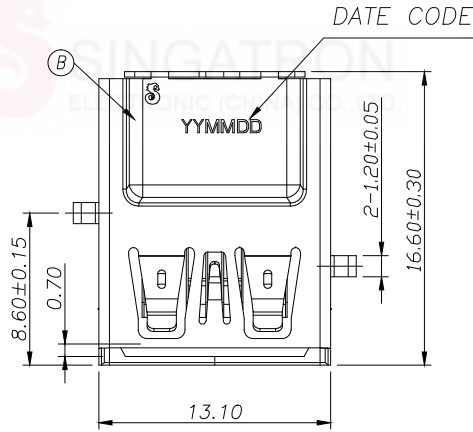
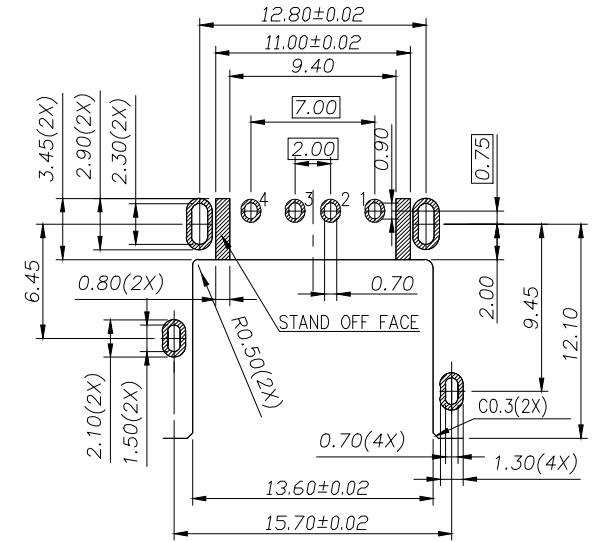


REV.	ECN NO OR DESCRIPTION	REVISED	DATE
A	PDR NO.:T150731-3A	TOMMY	2015.12.16

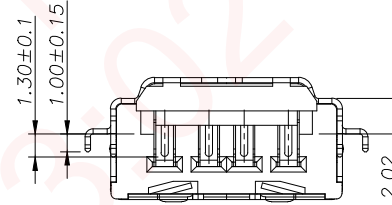
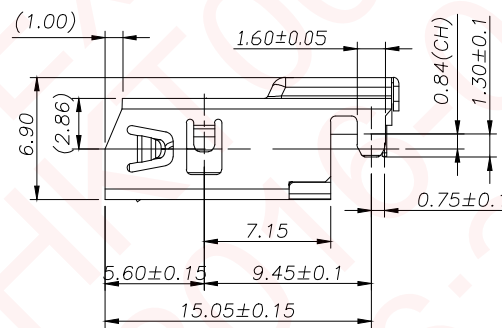
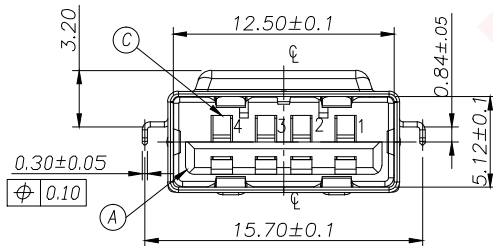


SPECIFICATIONS:

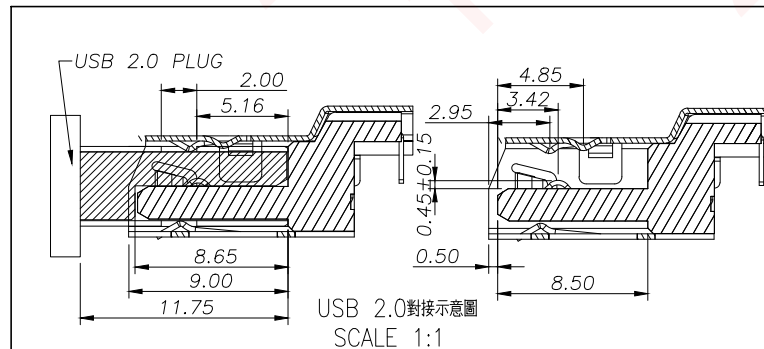
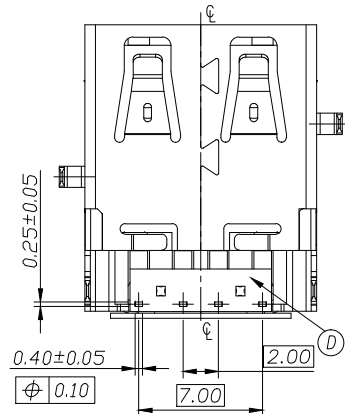
- ELECTRICAL CHARACTERISTICS:
 - CONTACT RESISTANCE: 30MΩ maximum when measured at 20MV maximum open circuit at 100ma
 - DIELECTRIC WITHSTANDING VOLTAGE: The dielectric must withstand 500V AC Max With 1 Minute
 - INSULATION RESISTANCE: 1000MΩ minimum
 - CURRENT RATING: 1.5A at 250V AC minimum when measured at an ambient temperature of 25° C
- MECHANICAL CHARACTERISTICS:
 - INSERTION FORCE : 25N MAX
 - WITHDRAWAL FORCE : 10N~25N(INITIAL),8N~25N(AFTER TEST)
- TO CONFORM TO SINGATRON HAZARDOUS SUBSTANCE FREE SPEC.
- HALOGEN FREE IDENTIFICATION MARK ON JACK: Ⓞ
- HALOGEN FREE IDENTIFICATION LABEL ON PACKAGING: Ⓞ
- FOR IR REFLOW.
- DATE : YYMMDD
- PACKAGING : TAPE & REEL.



Recommended P.C.B Layout (THICKNESS=1.2mm)
(Component Side) TOLERANCE=±0.05 TOP VIEW



Pin Number	Signal NAME
1	VBUS
2	D-
3	D+
4	GND



NO	DESCRIPTION	QTY	MATERIAL	PLATING & COLOR
D	HOUSING COVER	1	PA9T+45%GF(GP2450NH)UL94-V0	BLACK (無面)
C	TERMINAL	4	C5210-EH T=0.25	GOLD FLASH PLATED ON MATING AREA, Matt. Sn 100u"Min. PLATED ON SOLDERING 60u"NICHEL UNDER PLATING OVERALL
B	SHELL	1	SUS304-1/2H T=0.3	NICKEL 60u"MIN
A	HOUSING	1	LCP+30%GF(MG350)UL94-V0	BLACK (無面)
UNLESS OTHERWISE SPECIFIED TOLERANCES				
Singatron Enterprise Co., Ltd. 信音企業股份有限公司				
DECIMALS: ANGLES: TITLE USB 2.0 REVERSE CONNECTOR				
X :±0.5 X :±2°				
X.X :±0.3 X.X :±1°				
X.XX :±0.2				
DWN	TOMMY	PART NO.2UB4030-130111F		
CHKD		SCALE 1:1	UNIT: mm	REV:A
APVD		SIZE: A3	SHEET:1 OF 1	REV:A
CUSTOMER COPY				