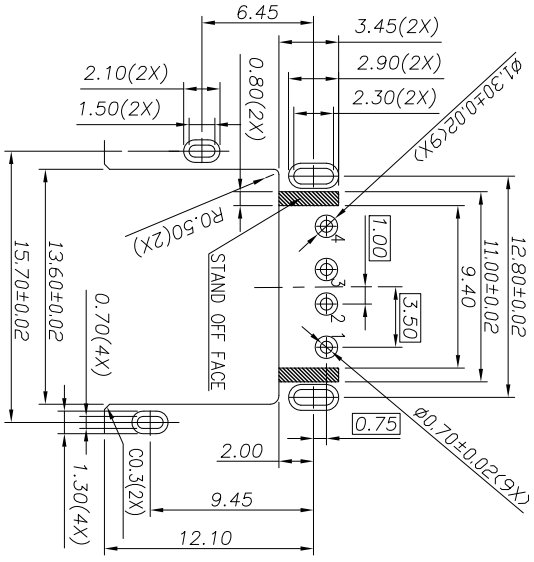
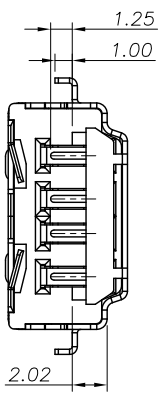
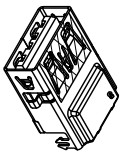
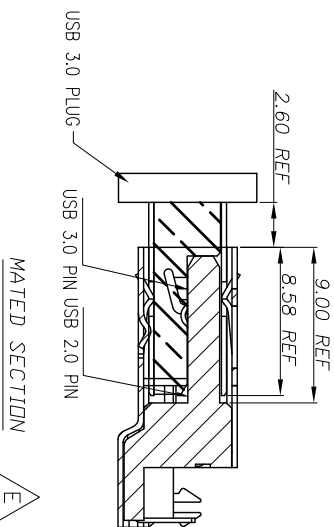
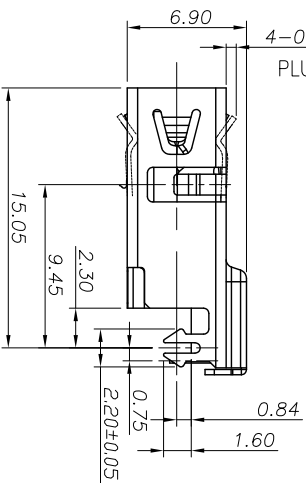


1. ELECTRICAL CHARACTERISTICS:
- 1-1. CONTACT RESISTANCE: 30MΩ maximum when measured at 20MV maximum open circuit at 100mA
  - 1-2. DIELECTRIC WITHSTANDING VOLTAGE: The dielectric must withstand 500V AC Max With 1 Minute
  - 1-3. INSULATION RESISTANCE: 1000MΩ minimum
  - 1-4. CURRENT RATING: 1.5A at 250V AC minimum when measured at an ambient temperature of 25° C
2. MECHANICAL CHARACTERISTICS:
- 2-1. INSERTION FORCE : 3.5 Kgf MAX
  - 2-2. WITHDRAWAL FORCE : 1.0 Kgf MIN
  - 3. TO CONFORM TO SINGATRON HAZARDOUS SUBSTANCE FREE SPEC.
  - 4. HALOGEN FREE IDENTIFICATION MARK ON JACK: ☉
  - 5. HALOGEN FREE IDENTIFICATION LABEL ON PACKAGING:
  - 6. FOR WAVE SOLDERING LEAD-FREE PROCESS.
  - 7. DATE : YYMMDD
  - 8. PACKAGING : TAPE & REEL
  - 9. ▽ REPRESENT CPK DIMENSIONS.

4-0.75MAX. PLUG IN



Recommended P.C.B Layout (THICKNESS=1.2mm)  
(Component Side) TOLERANCE=±0.05 TOP VIEW

REV.	ECN NO.	OR DESCRIPTION	REVISED	DATE
C	ECN NO: T120151		Duke	2013.05.13
D	ECN NO: T130125		JEFF	2014.03.12
E	ECN NO: S202006-C24		LAJUN	2020.06.28

Pin Number	Signal NAME
1	VBUS
2	D-
3	D+
4	GND

D	MYLAR	1	KAPTON 11.0X8.0	YELLOW
C	TERMINAL	4	COOPER ALLOY	GOOD FLASH PLATED ON MATING AREA, Min. 5μ 100μ"MIN PLATED ON SOLDERING 60" NICKEL UNDER PLATING OVERALL
B	SHELL	1	STAINLESS STEEL	NICKEL 60U"MIN
A	HOUSING	1	HIGH THERMOPLASTIC	BLACK
NO	DESCRIPTION	QTY	MATERIAL	PLATING & COLOR
UNLESS OTHERWISE SPECIFIED TOLERANCES				
Singatron Enterprise Co., Ltd. 信登企業股份有限公司				

TITLE	USB 2.0 REVERSE CONNECTOR
DWN	LAJUN
CHKD	JAMES
APVD	BOYE
DECIMALS:	ANGLES:
X : ±0.5	X : ±2°
X.X : ±0.3	X.X : ±1°
X.XX : ±0.2	

CUSTOMER COPY