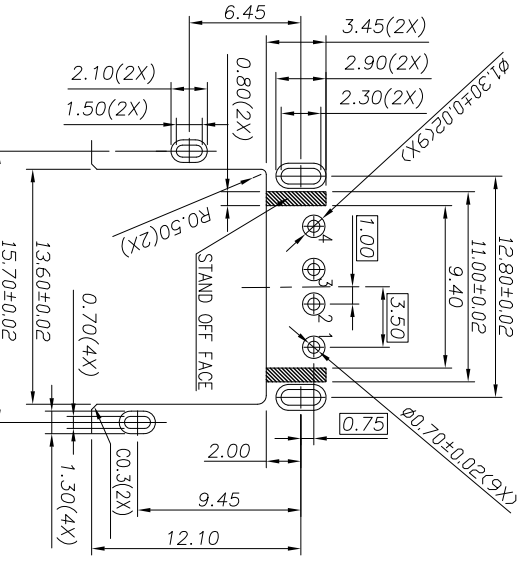
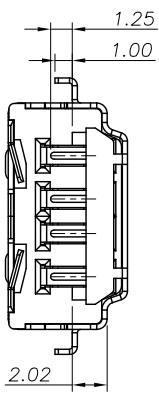
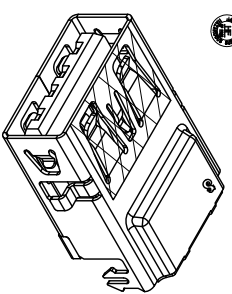
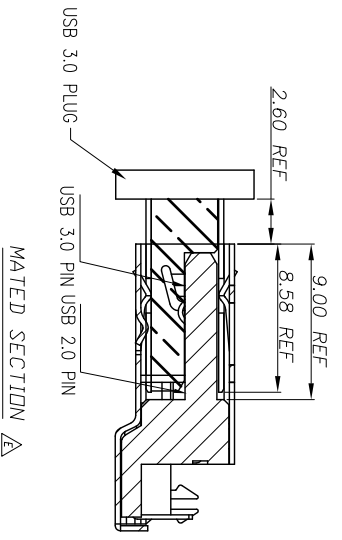
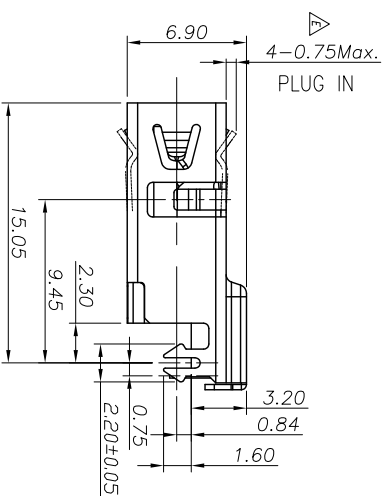


- SPECIFICATIONS:**
- 1. ELECTRICAL CHARACTERISTICS:**
- CONTACT RESISTANCE: 30mΩ maximum when measured at 20mV maximum open circuit at 100mA
 - DIELECTRIC WITHSTANDING VOLTAGE: The dielectric must withstand 500V AC Max With 1 Minute
 - INSULATION RESISTANCE: 1000MΩ minimum
 - CURRENT RATING: 1.5A at 250V AC minimum when measured at an ambient temperature of 25 °C
- 2. MECHANICAL CHARACTERISTICS:**
- INSERTION FORCE : 3.5 Kgf MAX
 - WITHDRAWAL FORCE : 1.0 Kgf MIN
 - TO CONFORM TO SINGATRON HAZARDOUS SUBSTANCE FREE SPEC.
 - HALOGEN FREE IDENTIFICATION MARK IN JACK: ☉
 - HALOGEN FREE IDENTIFICATION LABEL ON PACKAGING:
 - DATE : YMMDD
 - PACKAGING : TAPE & REEL.



Recommended P.C.B layout (THICKNESS=1.2mm)
(Component Side) TOLERANCE=±0.03

REV.	ECN NO.	OR DESCRIPTION	REVISED	DATE
C	ECN NO. : T120127	VICTOR	2012.10.15	
D	ECN NO. : T130125	JEFF	2014.03.12	
E	ECN NO. : S202007-002	LAUUN	2020.07.07	

Pin Number	Signal NAME
1	VBUS
2	D-
3	D+
4	GND

NO	DESCRIPTION	PLATING & COLOR
D	MYLAR	YELLOW
C	TERMINAL	COOPER ALLOY
B	SHELL	2μ" Au OVER 30μ" Pd/Ni PLATED ON WIRING AREA, 120μ" Sn PLATED ON SOLDERING 80μ" NICKEL UNDER PLATING OVERALL
A	HOUSING	STAINLESS STEEL NICKEL 60μ" MIN BLACK
NO	DESCRIPTION	HIGH THERMOPLASTIC

DECIMALS:	ANGLES:
X : ±0.5	X : ±2°
X.X : ±0.3	X.X : ±1°
X.XX : ±0.2	

TITLE	USB 2.0 REVERSE CONNECTOR
DWN	LAUUN PART NO. 2UB4030-200211F
CHKD	James SCALE 1:1 UNIT: mm
APVD	BOYE SIZE: A3 SHEET: 1 OF 1 REV: E

CUSTOMER COPY

Singatron Enterprise Co., Ltd.
信亨企業股份有限公司