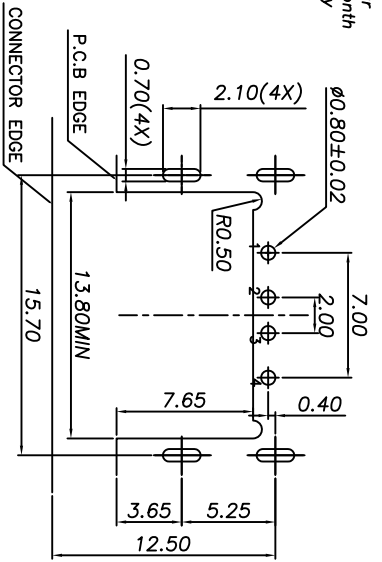
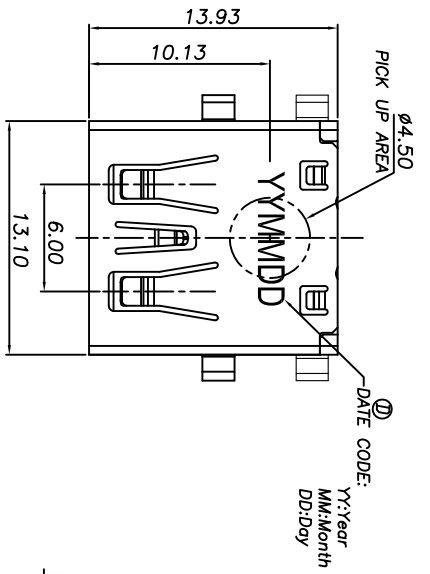
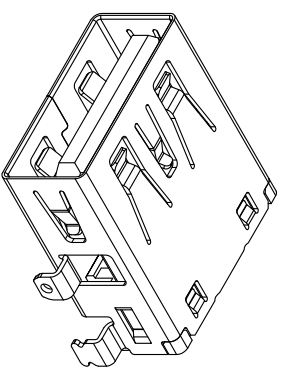
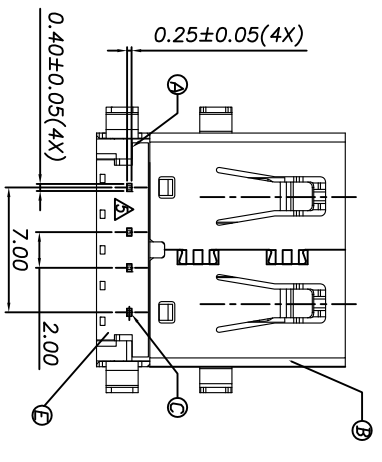
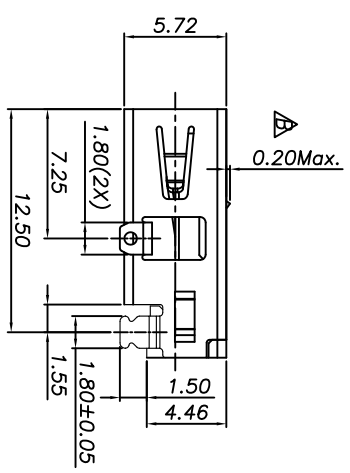
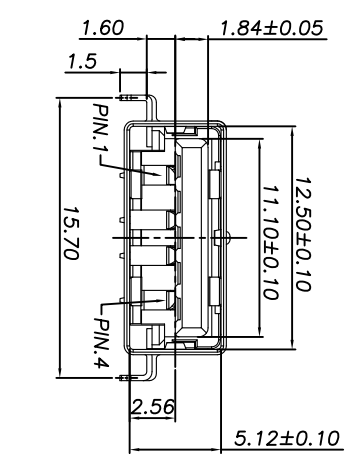


| REV. | ECN NO OR DESCRIPTION | REVISED | DATE |
|------|-----------------------|---------|------------|
| A | PDR RELEASE | IV-C | 2013.09.09 |
| B | ECN NO: L140169 | IV-C | 2014.12.23 |



RECOMMENDED P.C.B. LAYOUT
TOLERANCE: ±0.05mm T=1.20±0.05



SPECIFICATIONS:

- ELECTRICAL CHARACTERISTICS:
 - CURRENT RATING: 1.8 AMP AC MAX.
 - CONTACT RESISTANCE: 30mΩ MAX.
 - INSULATION RESISTANCE: 1000MΩ MIN. @ 500V DC.
 - DIELECTRIC WITHSTANDING VOLTAGE: 500V AC FOR 1 MINUTE.
- MECHANICAL CHARACTERISTICS:
 - INSERTION FORCE: 3.5kgf MAX.
 - WITHDRAWAL FORCE: 1.0kgf MIN.
- LIFE TEST: 5,000 CYCLES.
- TEMPERATURE RANGE: -25°C TO +85°C.
- OTHER GENERAL SPEC. TO REFER "2UB4033-010101F SPEC."
- TO CONFORM TO THE SINGATRON HAZARDOUS SUBSTANCE FREE SPEC.
- HALOGEN FREE PRODUCT IDENTIFICATION LABEL ON PACKAGING:
- PACKAGE: SEE "2UB4033-010101F" PACKAGE.
- FOR REFLOW SOLDERING LEAD-FREE PROCESS.

PART NO.

2UB4033-010101F

- SUFFIX: HALOGEN FREE
- PACKAGE: 1: TAPE & REEL
- HOUSING COLOR: 0: BLACK
- CONTACT PLATING: 1: GOLD FLASH ON CONTACT AREA, 100μ" Sn PLATING ON SOLDER AREA, 50μ" Ni UNDERPLATING OVERALL

| NO | DESCRIPTION | QTY | MATERIAL | PLATING & COLOR |
|----|-------------|-----|------------------------------------|-----------------|
| E | COVER | 1 | HIGH-TEMP THERMO-PLASTIC, UL 94V-0 | BLACK |
| D | INK | | | BLACK |
| C | CONTACT | 4 | COPPER ALLOY | SEE PART NO. |
| B | SHELL | 1 | STAINLESS STEEL | NICKEL PLATED |
| A | HOUSING | 1 | HIGH-TEMP THERMO-PLASTIC, UL 94V-0 | BLACK |

UNLESS OTHERWISE SPECIFIED TOLERANCES

DECIMALS: ANGLES: X ±0.5 X ±2° X X ±0.3 X X ±1° X.XX ±0.2

Singatron Enterprise Co., Ltd.
信登企業股份有限公司

| TITLE | REV. NO. | DATE | BY | CHKD | DATE | SCALE | UNIT | SHEET | REV. |
|--|----------|------------|------|------|------------|-------|------|-------|------|
| USB 2.0 A TYPE FEMALE, R/A, DIP, SINKING | 1 | 2014.12.23 | IV-C | IV-C | 2014.12.23 | 1:1 | mm | 1 | B |

APVD: 2014.12.23 SIZE: A3 SHEET: 1 OF 1 REV: B

CUSTOMER COPY