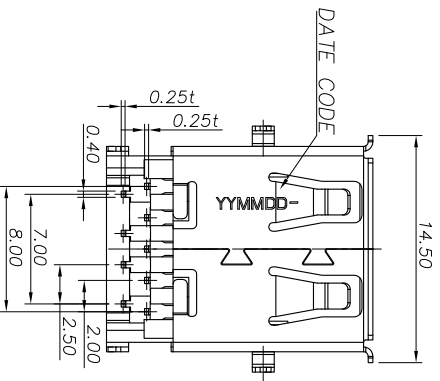
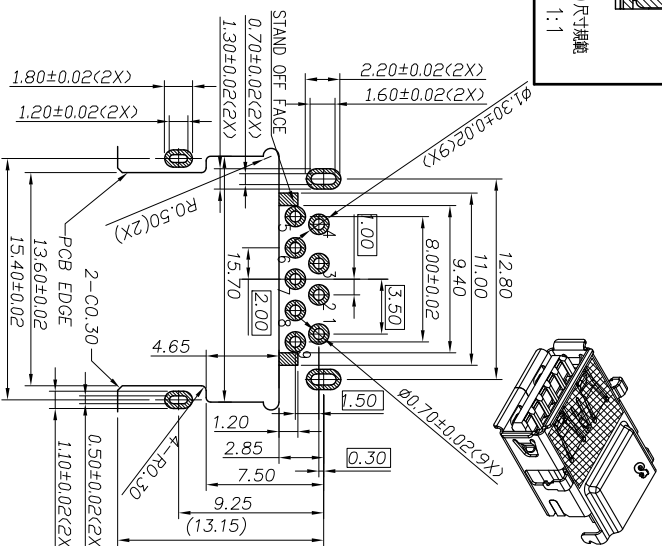
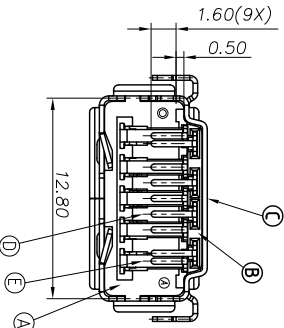
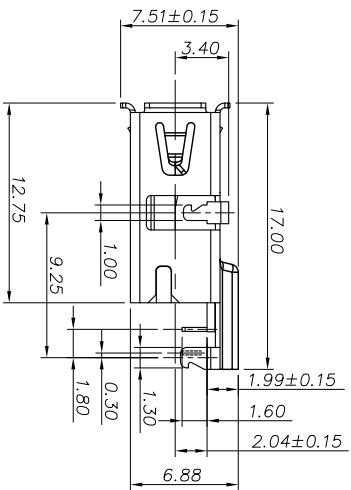
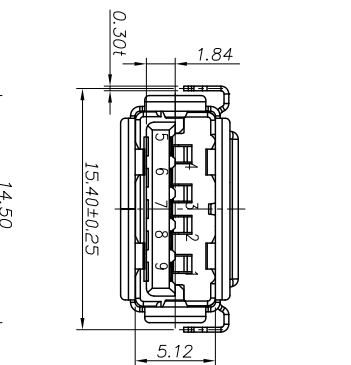
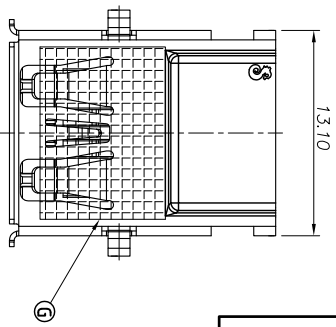


REV	ECN NO OR DESCRIPTION	REVISED	DATE
D	ECN NO. T120001	Acheng	2012.01.30
E	ECN NO T120054	Acheng	2012.05.03
F	ECN NO: S121223	Angus	2013.05.24



- SPECIFICATIONS:
- ELECTRICAL CHARACTERISTICS:
    - CURRENT RATING: 1.8A (PIN: 4) : OTHER CONTACTS 0.25A
    - CONTACT RESISTANCE: 30mΩ MAX.
    - DIELECTRIC WITHSTANDING VOLTAGE: 100V AC FOR 1 MINUTE
    - INSULATION RESISTANCE: 100MΩ MIN
  - MECHANICAL CHARACTERISTICS:
    - INSERTION FORCE : 3.0 Kgf MAX
    - WITHDRAWAL FORCE : 1.0 Kgf MIN(INITIAL), 0.8 Kgf MIN(AFTER TEST)
  - DURABILITY: 5,000 CYCLES.
  - TO CONFORM TO SINGATRON HAZARDOUS SUBSTANCE FREE SPEC.
  - HALOGEN FREE PRODUCT IDENTIFICATION MARK ON JACK: ©
  - HALOGEN FREE PRODUCT IDENTIFICATION LABEL ON PACKAGING:
  - FOR IR REFLOW PROCESS.
  - DATE : YYMMDD
  - PACKAGING : TAPE & REEL.

Pin Number	Signal ASSIGNMENT
PIN 1	VBUS
PIN 2	D-
PIN 3	D+
PIN 4	GND
PIN 5	SDA_S5RX-
PIN 6	SDA_S5RX+
PIN 7	GND_DRAIN
PIN 8	SDA_S5TX-
PIN 9	SDA_S5TX+

Code	Description	Material	Angles
G	MYLAR	8mm*11mm	X : ±0.5
F	MYLAR	5mm*4mm	X : ±0.3
E	TERMINAL	COOPER ALLOY	X.X : ±1°
D	TERMINAL	COOPER ALLOY	X.XX : ±0.2
C	SHELL	STAINLESS STEEL	
B	BASE	HIGH THERMOPLASTIC	
A	HOUSING	HIGH THERMOPLASTIC	
NO	DESCRIPTION	MATERIAL	

QTY	MATERIAL	PLATING & COLOR
1	STAINLESS STEEL	NICKEL 60u"MIN
1	HIGH THERMOPLASTIC	BLUE (300C)
1	HIGH THERMOPLASTIC	BLUE (300C)

UNLESS OTHERWISE SPECIFIED TOLERANCES

DECIMALS: ANGLES:

REVERSE SIDE: ANGLES:

Part No. 2UB4034-000101F

Scale 1:1

Unit: mm

Sheet: 1 of 1

Rev: F

Customer Copy