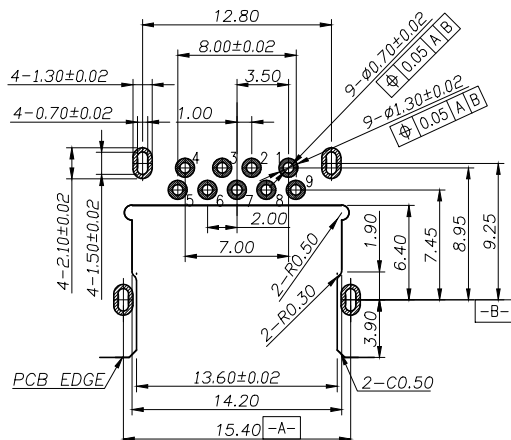
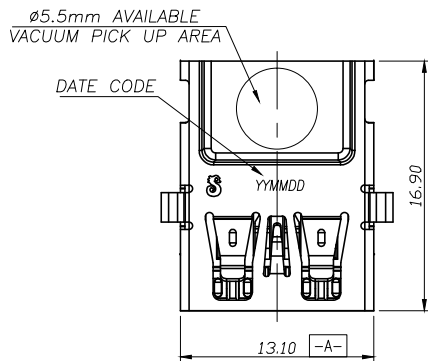
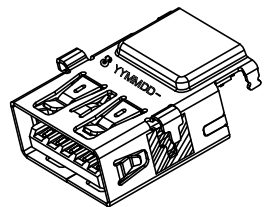
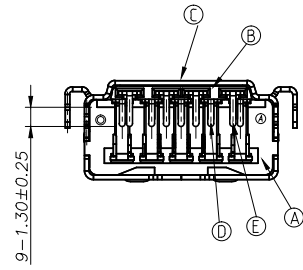
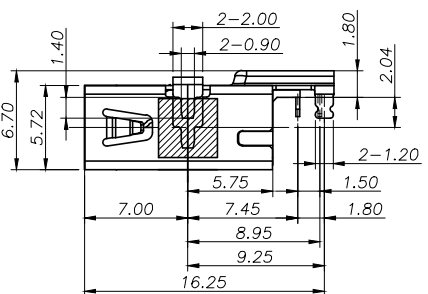
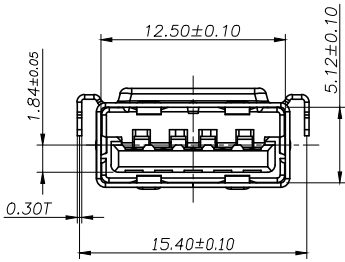


REV.	ECN NO OR DESCRIPTION	REVISED	DATE
A	PDR NO:S160406-1A	jttlucky	2016.09.13



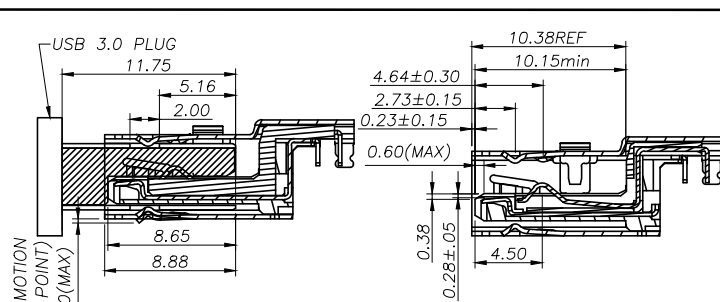
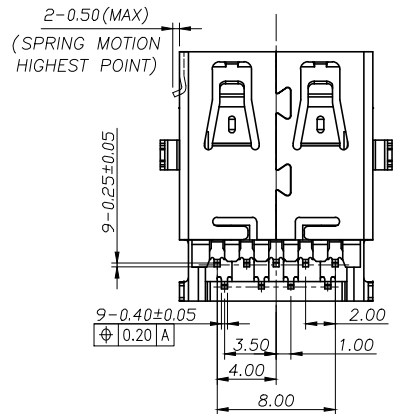
Recommended P.C.B Layout (THICKNESS=1.0mm)
(Component Side) TOLERANCES=±0.03

- ELECTRICAL CHARACTERISTICS:
 - CURRENT RATING: 1.8A (PIN1,4) ; OTHER CONTACTS 0.25A
 - CONTACT RESISTANCE: 30mΩ MAX.
 - DIELECTRIC WITHSTANDING VOLTAGE: 100V AC FOR 1 MINUTE
 - INSULATION RESISTANCE: 100MΩ MIN
- MECHANICAL CHARACTERISTICS:
 - INSERTION FORCE : 3.5 Kgf MAX.
INITIAL : 1.0~2.5Kgf.
TEST AFTER : 0.80~2.5Kgf.
 - WITHDRAWAL FORCE : 2.5Kgf MAX.
- DURABILITY: 5,000 CYCLES.
- TO CONFORM TO SINGATRON HAZARDOUS SUBSTANCE FREE SPEC.
- HALOGEN FREE PRODUCT IDENTIFICATION MARK ON JACK: Ⓢ
- HALOGEN FREE PRODUCT IDENTIFICATION LABEL ON PACKAGING: Ⓢ
- FOR IR REFLOW PROCESS.
- DATE : YYMMDD
- PACKAGING : TAPE & REEL.



3D VIEW

Pin Number	Signal ASSIGNMENT
PIN 1	VBUS
PIN 2	D-
PIN 3	D+
PIN 4	GND
PIN 5	Std_SSXX-
PIN 6	Std_SSXX+
PIN 7	GND_DRAIN
PIN 8	Std_SSTX-
PIN 9	Std_SSTX+



USB 3.0尺寸規範
SCALE 1:1

NO	DESCRIPTION	QTY	MATERIAL	PLATING & COLOR
F	MYLAR	2	4mm*4mm	YELLOW
E	TERMINAL	5	C2680-H 0.25T	5U"AU PLATED ON CONTACT AREA, 100u" MATTE SN PLATED ON SOLDERING
D	TERMINAL	4	C5210-EH 0.25T	60u" NICKEL UNDER PLATING OVERALL
C	SHELL	1	SUS304 1/2H 0.30T	BLACK NI 60u" MIN
B	BASE	1	PA9T+45% UL94-V0	BLACK
A	HOUSING	1	PA9T+45% UL94-V0	BLACK
UNLESS OTHERWISE SPECIFIED TOLERANCES		Singatron Enterprise Co., Ltd. 信音企業股份有限公司		
DECIMALS: ANGLES:		TITLE: USB 3.0 REVERSE CONNECTOR		
X	:±0.5 X :±2°	DWN Jttlucky PART NO.2UB4034-180101F		
X.X	:±0.3 X.X :±1°	CHKD James SCALE 1:1 UNIT: mm		
X.XX	:±0.2	APVD Boye SIZE: A3 SHEET:1 OF 1 REV: A		
CUSTOMER COPY				