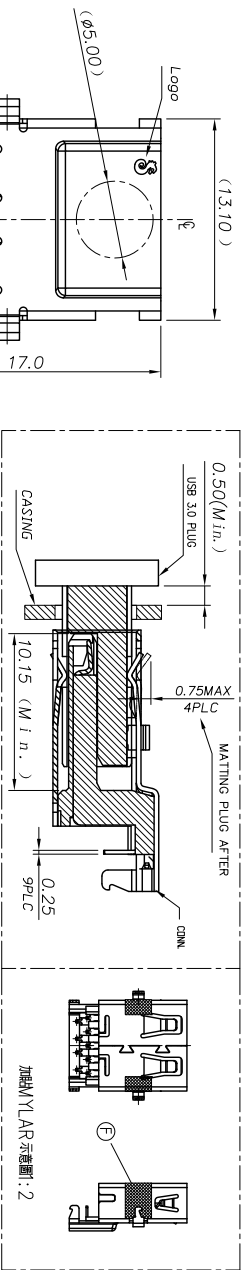
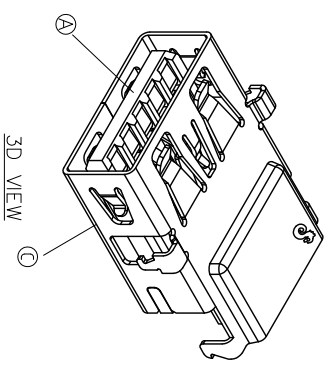
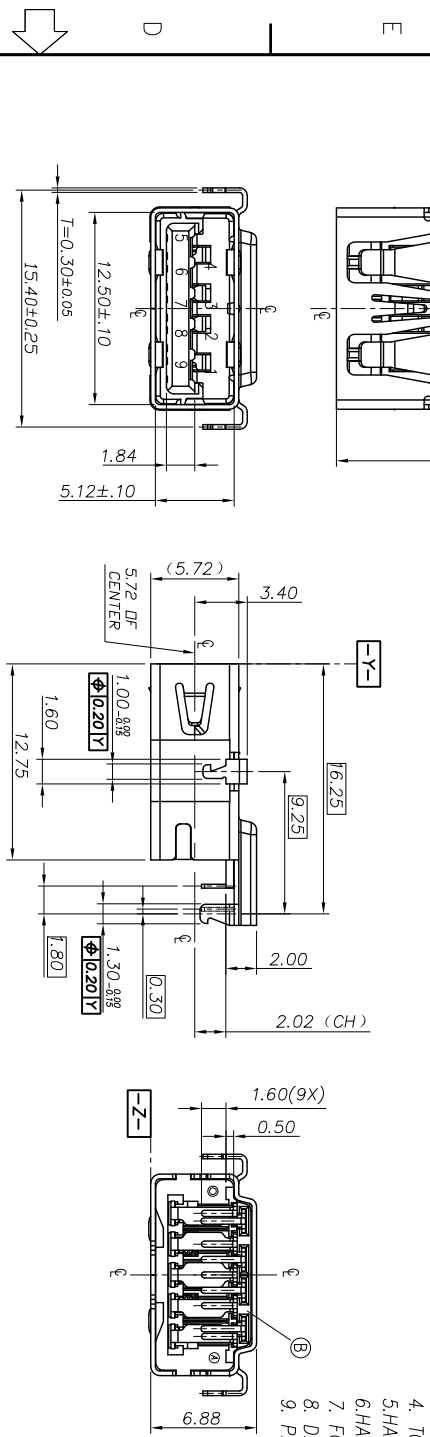


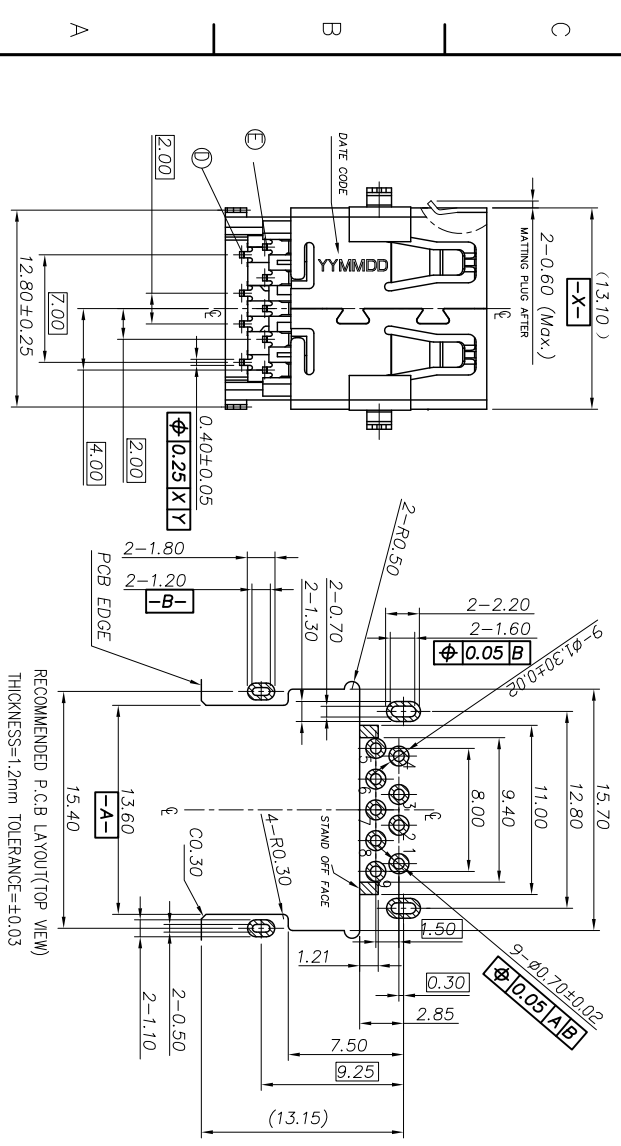
REV	ECN NO	OR DESCRIPTION	REVISED	DATE
A	PDR NO: TT121212-5A	ERIC		2013.09.17



- SPECIFICATIONS:**
- ELECTRICAL CHARACTERISTICS:**
1. ELECTRICAL CHARACTERISTICS:
 - 1-1. CURRENT RATING: 1.8A (PIN1,4) ; OTHER CONTACTS 0.25A
 - 1-2. CONTACT RESISTANCE: 30mΩ MAX
 - 1-3. DIELECTRIC WITHSTANDING VOLTAGE: 100V AC FOR 1 MINUTE
 - 1-4. INSULATION RESISTANCE: 100MΩ/MIN
 2. MECHANICAL CHARACTERISTICS:
 - 2-1. INSERTION FORCE : 3.5 kgf MAX
 - 2-2. WITHDRAWAL FORCE : 1.0 kgf MIN TEST BEFORE 0.80 kgf MIN TEST AFTER 3. DURABILITY: 5,000 CYCLES.
 4. TO CONFORM TO SINGATRON HAZARDOUS SUBSTANCE FREE SPEC.
 5. HALOGEN PRODUCT IDENTIFICATION MARK ON JACK
 6. HALOGEN PRODUCT IDENTIFICATION LABEL ON PACKAGING.
- FOR WAVE SOLDERING LEAD-FREE PROCESS.**
- 8. DATE : YYMMDD**
- 9. PACKAGING : TAPE & REEL.**



Pin Number	Signal NAME
1	VBUS
2	D-
3	D+
4	GND
5	SIDA_SSRX-
6	SIDA_SSRX+
7	GND_DRAIN
8	SIDA_SSTX-
9	SIDA_SSTX+



NO	DESCRIPTION	QTY	MATERIAL	PLATING & COLOR
A	HOUSING	1	HIGH THERMOPLASTIC(U94V-0)	BLUE (300C)
B	BASE	1	HIGH THERMOPLASTIC(U94V-0)	BLUE (300C)
C	SHELL	1	STAINLESS STEEL	NICKEL 60U"MIN
D	TERMINAL	4	COOPER ALLOY	20" Au OVER 30u"Pd/Ni PLATED ON MATING AREA, 120u" Sn PLATED ON SOLDERING
E	TERMINAL	5	COOPER ALLOY	80u" NICKEL UNDER PLATING OVERALL
F	MYLAR	2	8mm*4mm	

UNLESS OTHERWISE SPECIFIED TOLERANCES

DECIMALS: ANGLES: X : ±0.5 X : ±2° X.X : ±0.3 X.X : ±1° X.XX : ±0.2

Singatron Enterprise Co., Ltd.
信亨企業股份有限公司

USB 3.0 REVERSE CONNECTOR

DIM ERIC PART NO. 2UB4034-600101P
CHKD BOYE SCALE 1:1 UNIT: mm
APVD MAX SIZE: A3 SHEET: 1 OF 1 REV: A

CUSTOMER COPY