


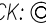

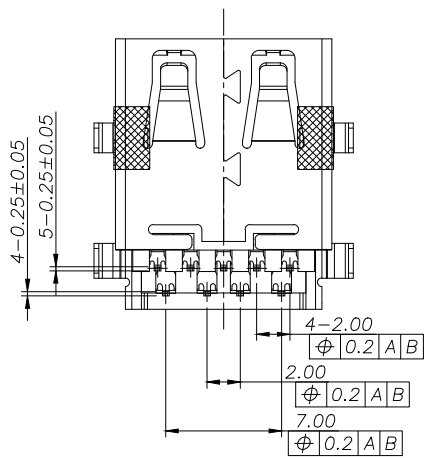
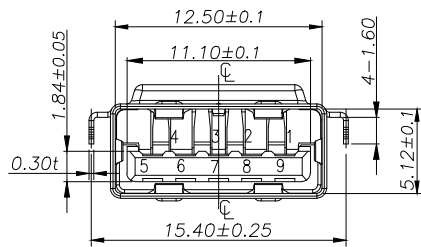
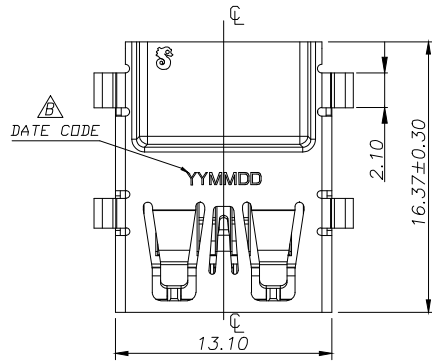
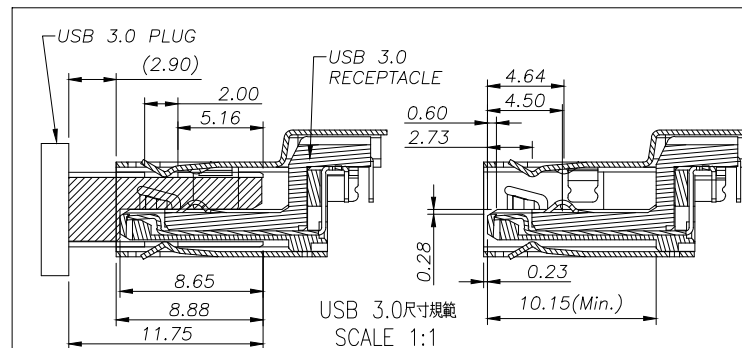
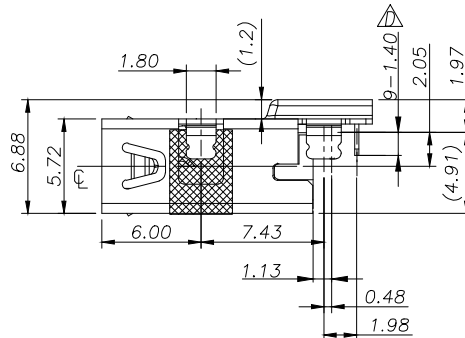
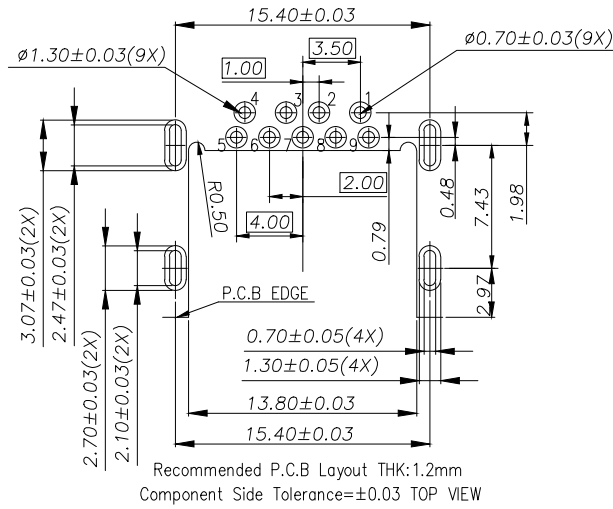
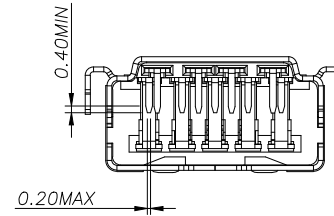
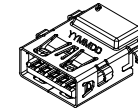




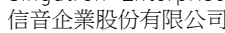
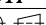
REV.	ECN NO OR DESCRIPTION	REVISED	DATE
B	ECN NO:S151054-E		PENG 2015.10.29
B	ECN NO:S151054-E		PENG 2015.10.29
C	ECN NO:S180708-Q		charles 2018.08.28

SPECIFICATIONS:

- ELECTRICAL CHARACTERISTICS:
 - CURRENT RATING: 1.8A (PIN1,4) ; OTHER CONTACTS 0.25A
 - CONTACT RESISTANCE: 30mΩ MAX.
 - DIELECTRIC WITHSTANDING VOLTAGE: 100V AC FOR 1 MINUTE
 - INSULATION RESISTANCE: 100MΩ MIN
- MECHANICAL CHARACTERISTICS:
 - INSERTION FORCE : 3.5 Kgf MAX
 - WITHDRAWAL FORCE : 1.0 Kgf(INITIAL),0.8Kgf(AFTER TEST)
- DURABILITY: 5,000 CYCLES.
- TO CONFORM TO SINGATRON HAZARDOUS SUBSTANCE FREE SPEC.
- HALOGEN FREE IDENTIFICATION MARK ON JACK: 
- HALOGEN FREE IDENTIFICATION LABEL ON PACKAGING: 
- FOR IR RE-FLOW PROCESS.
- DATE : YYMMDD
- PACKAGING : TAPE & REEL.

Pin Number	Signal ASSIGNMENT
PIN 1	VBUS
PIN 2	D-
PIN 3	D+
PIN 4	GND
PIN 5	StdA_SSRX-
PIN 6	StdA_SSRX+
PIN 7	GND_DRAIN
PIN 8	StdA_SSTX-
PIN 9	StdA_SSTX+



F	MYLAR	2	5mm*4mm 	
E	TERMINAL	5	COOPER ALLOY	2u"Au OVER 30u"Pd/Ni PLATED ON MATING AREA, 120u" MATTE Sn PLATED ON SOLDERING,80u" NICKEL UNDER PLATING OVERALL
D	TERMINAL	4	COOPER ALLOY	
C	SHELL	1	STAINLESS STEEL	NICKEL 60u"MIN
B	BASE	1	THERMOPLASTIC	BLACK
A	HOUSING	1	THERMOPLASTIC	BLACK
NO	DESCRIPTION	QTY	MATERIAL	PLATING & COLOR
UNLESS OTHERWISE SPECIFIED TOLERANCES				
 Singatron Enterprise Co., Ltd.  信音企業股份有限公司				
DECIMALS: ANGLES:				
X	:±0.5	X	:±2°	
X.X	:±0.4	X.X	:±1°	
X.XX	:±0.3			
TITLE	USB 3.0 REVERSE CONNECTOR			
DWN	charles	PART NO.2UB4034-800101F		
CHKD	James	SCALE 1:1	UNIT: mm	
APVD	Boye	SIZE: A3	SHEET:1 OF 1	REV:D
CUSTOMER COPY				