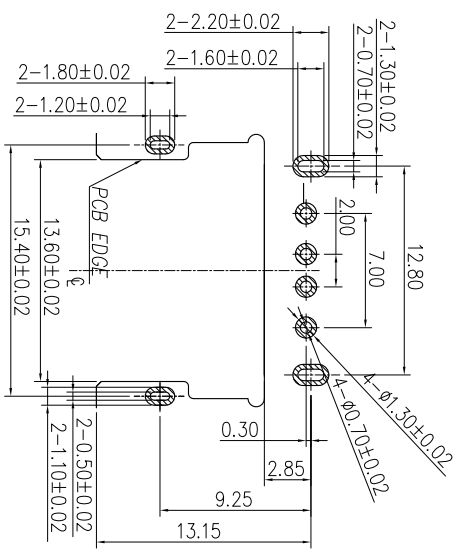
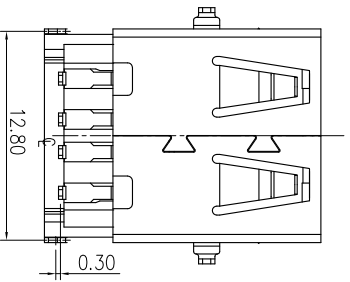
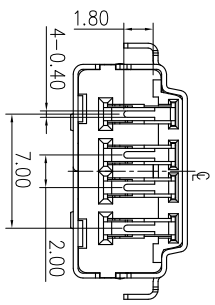
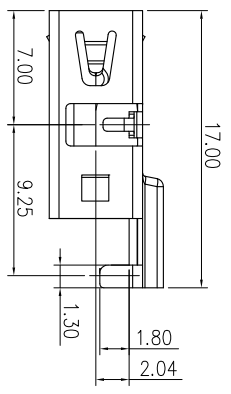
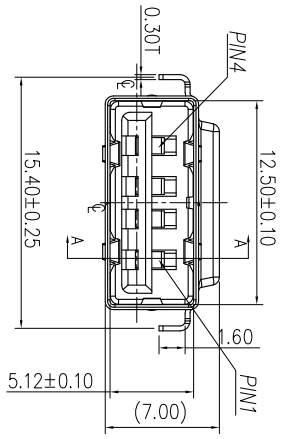
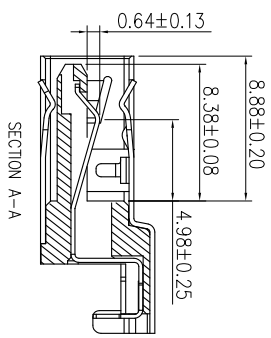
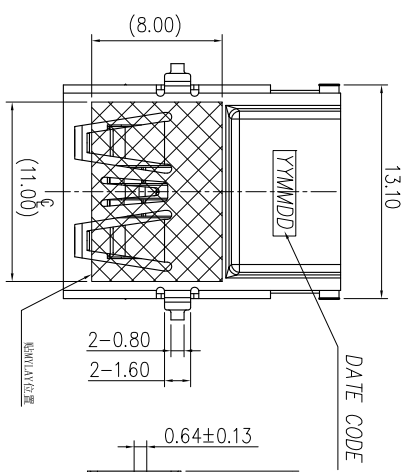
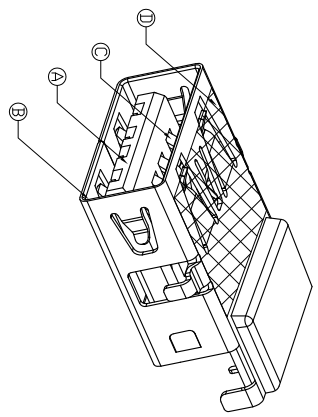


REV	ECN NO OR DESCRIPTION	REVISED	DATE
A	NEW RELEASE	ZW	2012.08.08



- 1. ELECTRICAL CHARACTERISTICS:**
- CURRENT RATING: 1.5A
  - WORKING RATED VOLTAGE: 30V DC
  - CONTACT RESISTANCE: 30mΩ MAX INITIAL.
  - DIELECTRIC WITHSTANDING VOLTAGE: 500V AC FOR ONE MINUTE.
  - INSULATION RESISTANCE: 1000MΩ MIN. MEASURED BY 500 VDC
- 2. MECHANICAL CHARACTERISTICS:**
- INSERTION FORCE : 3.5 kgf MAX
  - WITHDRAWAL FORCE : 1.0 kgf MIN
  - LIFE TEST: 5000 CYCLES MIN.
  - OTHER GENERAL SPEC. TO REFER "ZUB4035 SERIES SPEC".
  - PACKING: TAPE & REEL
  - HALOGEN FREE PRODUCT IDENTIFICATION LABEL ON PACKAGING.
  - PRODUCT NO: ZUB4035-2 0 0 1 1 1 F

USB TYPE  
2=USB 2.0

CONTACT PLATING  
00=GOLD FLASH  
REAR SHELL TYPE  
1=W/O REAR SHELL

HALOGEN CODE  
F=HALOGEN FREE

PACKAGE TYPE  
1=TAPE&REEL

HOUSING MATERIAL  
2=HIGH TEMP PLASTIC



D	MYLAR	1	N/A
C	CONTACT	4	COPPER ALLOY GOLD FLASH PLATED ON CONTACT AREAS PLATED ON SOLDER TAIL, ALL OVER NI PLATED
B	SHELL	1	STEEL NICKEL PLATED
A	HOUSING	1	HIGH TEMP PLASTIC THERMOPLASTIC UL94-V0 BLACK
NO	DESCRIPTION	QTY	MATERIAL
UNLESS OTHERWISE SPECIFIED TOLERANCES			
Singatron Enterprise Co., Ltd. 信登企業股份有限公司			
TITLE: USB2.0 DIP A TYPE FEMALE, CH=2.04mm			
DWG: ZW			
PART NO: ZUB4035-200111F			
CHKD: KIM			
SCALE: N/A			
UNIT: mm			
APVD: SEAN			
SIZE: A4			
SHEET: 10F1			
REV: A			
CUSTOMER COPY			

Recommend PCB Layout (Component Side)  
T=1.20mm Tolerance: ±0.03mm

