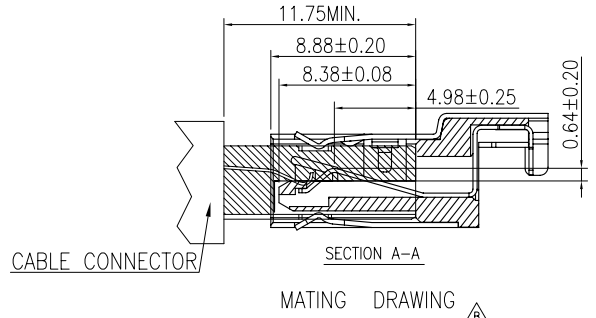
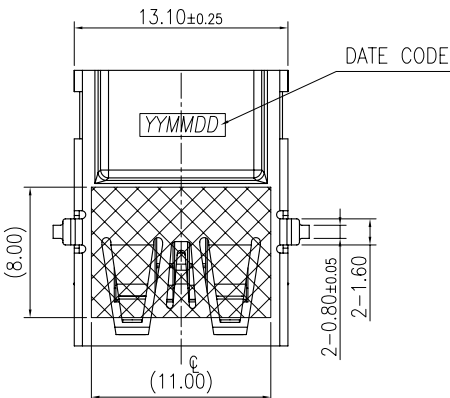
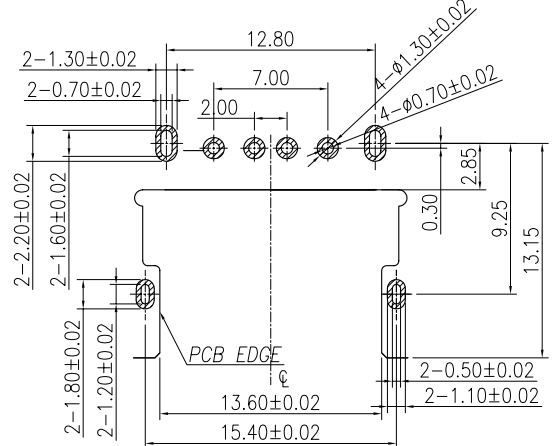
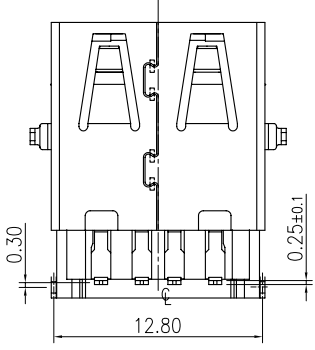
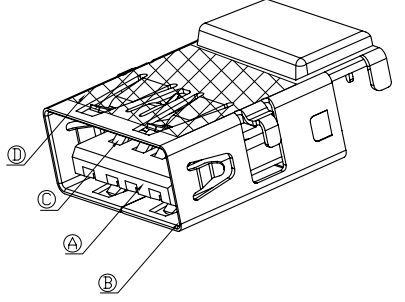
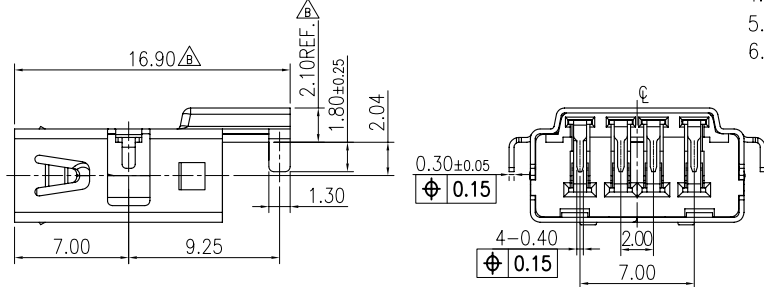
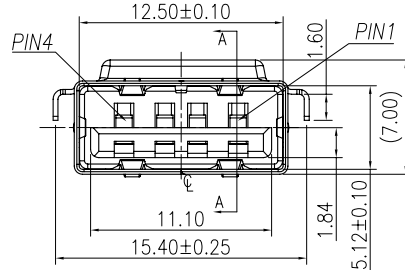


REV.	ECN NO OR DESCRIPTION	REVISED	DATE
A	PRODUCT RELEASE	Longjiang	2015/11/13
B	ECN NO.:C190906 Update Dimension	Cheney	2019/12/09



1. ELECTRICAL CHARACTERISTICS:
- CURRENT RATING:1.5A
WORKING RATED VOLTAGE:30V DC
 - CONTACT RESISTANCE: 30m Ω MAX. INITIAL.
 - DIELECTRIC WITHSTANDING VOLTAGE: 500V AC FOR ONE MINUTE.
 - INSULATION RESISTANCE: 1000M Ω MIN. MEASURED BY 500 VDC
2. MECHANICAL CHARACTERISTICS:
- INSERTION FORCE :3.5 Kgf MAX.
 - WITHDRAWAL FORCE : 1.0 Kgf MIN.
 - LIFE TEST: 5,000 CYCLES MIN.
 - OTHER GENERAL SPEC. TO REFER "2UB4035 SERIES SPEC".
 - PACKING:TAPE & REEL
 - HALOGEN FREE PRODUCT IDENTIFICATION LABEL ON PACKAGING:



Recommend PCB Layout (Component Side)
T=1.20mm Tolerance:±0.03mm

D	MYLAR	1		N/A
C	CONTACT	4	COPPER ALLOY	GOLD FLASH PLATED ON CONTACT AREA,SN PLATED ON SOLDER TAIL, ALL OVER NI PLATED
B	SHELL	1	STEEL	NICKEL PLATED
A	HOUSING	1	HIGH TEMP PLASTIC THERMOPLASTIC UL94-V0	BLACK
NO	DESCRIPTION	QTY	MATERIAL	PLATING & COLOR
UNLESS OTHERWISE SPECIFIED TOLERANCES		Singatron Enterprise Co., Ltd. 信音企业股份有限公司		
DECIMALS:	ANGLES:	TITLE	USB2.0 DIP A TYPE FEMALE, CH=2.04mm	
X :±0.5	X :±2°	DWN	Nanlin-Cher	PART NO. 2UB4035-600111F
X.X :±0.3	X.X :±1°	CHKD	Qicai-Hu	SCALE N/A UNIT: mm
X.XX :±0.2		APVD	jim-deng	SIZE: A4 SHEET: 10F1 REV: B
CUSTOMER COPY				