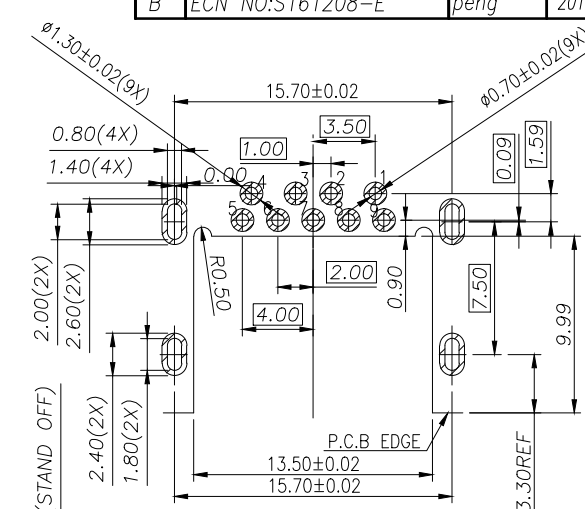


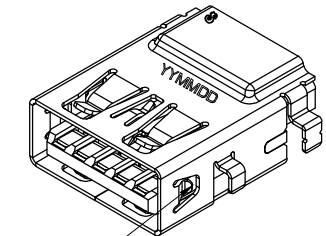
SPECIFICATIONS:

- ELECTRICAL CHARACTERISTICS:**
 - CURRENT RATING: 1.8A (PIN1,4) ; OTHER CONTACTS 0.25A
 - CONTACT RESISTANCE: 30mΩ MAX.
 - DIELECTRIC WITHSTANDING VOLTAGE: 100V AC FOR 1 MINUTE
 - INSULATION RESISTANCE: 100MΩ MIN.
- MECHANICAL CHARACTERISTICS:**
 - INSERTION FORCE : 3.5 Kgf MAX.
 - WITHDRAWAL FORCE : 1.0 Kgf(INITIAL),0.8 Kgf(AFTER TEST)
- DURABILITY:** 5,000 CYCLES.
- TO CONFORM TO SINGATRON HAZARDOUS SUBSTANCE FREE SPEC.**
- HALOGEN FREE IDENTIFICATION MARK ON JACK:** Ⓞ
- HALOGEN FREE IDENTIFICATION LABEL ON PACKAGING:**
- FOR IR - REFLOW LEAD-FREE PROCESS.**
- DATE :** YYMMDD
- PACKAGING :** TAPE & REEL.

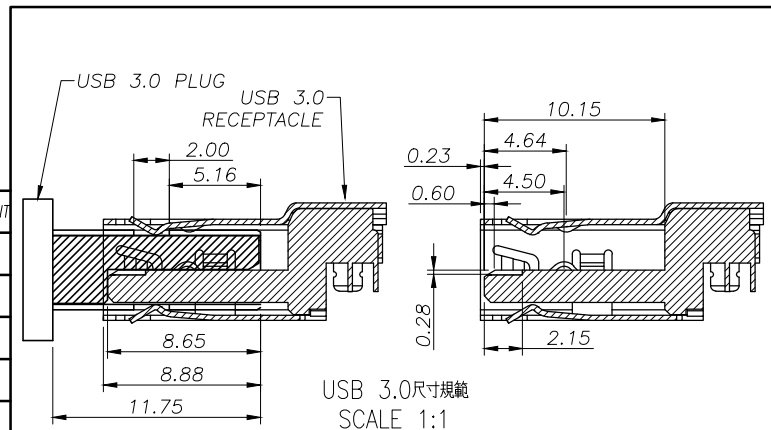
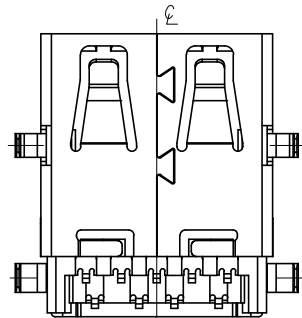
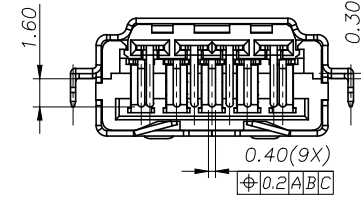
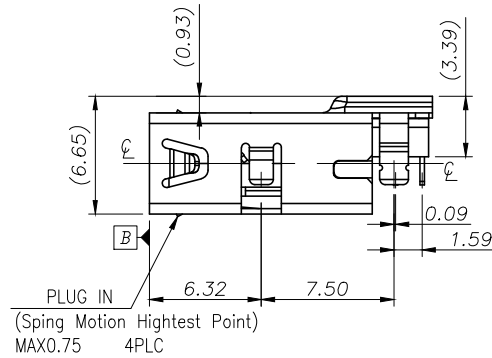
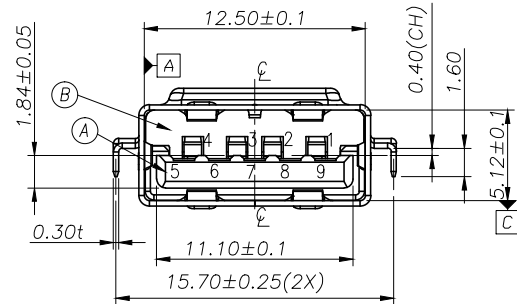
| REV. | ECN NO OR DESCRIPTION | REVISED | DATE |
|------|-----------------------|----------|------------|
| A | PDR NO:T141113-4A | Edi.Zhou | 2015.02.12 |
| B | ECN NO:S161208-E | peng | 2017.01.07 |



Recommended P.C.B Layout (THICKNESS=1.2mm)
(Component Side) TOLERANCE=±0.05 TOP VIEW



3D VIEW
PLUG IN
(Sping Motion Highest Point)
MAX0.4 2PLC



| Pin Number | Signal ASSIGNMENT | Pin Number | Signal ASSIGNMENT |
|------------|-------------------|------------|-------------------|
| PIN 5 | StdA_SSRX- | PIN 1 | VBUS |
| PIN 6 | StdA_SSRX+ | PIN 2 | D- |
| PIN 7 | GND_DRAIN | PIN 3 | D+ |
| PIN 8 | StdA_SSTX- | PIN 4 | GND |
| PIN 9 | StdA_SSTX+ | | |

| NO | DESCRIPTION | QTY | MATERIAL | PLATING & COLOR |
|----|-------------|-----|-----------------------|---|
| E | TERMINAL | 5 | BRASS t0.25 | AU 5 μm PLATED ON MATING AREA, Matl. Sn 100u"Min, PLATED ON SOLDERING |
| D | TERMINAL | 4 | PHOSPHOR COPPER t0.25 | 60u" NICKEL UNDER PLATING OVERALL |
| C | SHELL | 1 | STAINLESS STEEL | BLACK NICKEL 60u" MIN |
| B | BASE | 1 | PA 9T UL94-V0 | BLACK |
| A | HOUSING | 1 | PA 9T UL94-V0 | BLACK |

| | | | |
|---------------------------------------|-----------|--|------------------------------|
| UNLESS OTHERWISE SPECIFIED TOLERANCES | | Singatron Enterprise Co., Ltd. 信音企業股份有限公司 | |
| DECIMALS: | ANGLES: | TITLE USB 3.0 REVERSE CONNECTOR | |
| X : ±0.5 | X : ±2° | DWN peng | PART NO.2UB4037-400101F |
| X.X : ±0.3 | X.X : ±1° | CHKD james | SCALE 1:1 UNIT: mm |
| X.XX : ±0.2 | | APVD boye | SIZE: A3 SHEET: 1 OF 1 REV:B |
| CUSTOMER COPY | | | |