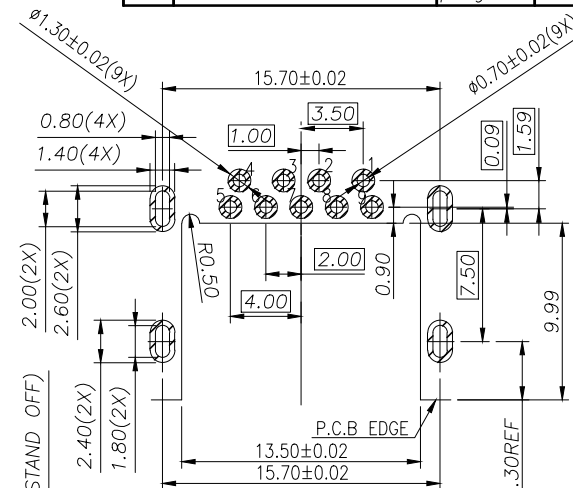
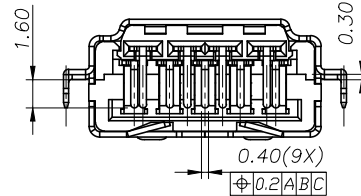
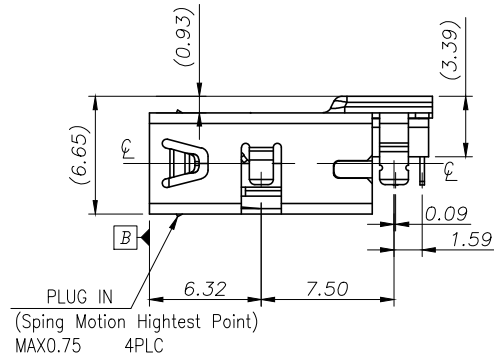
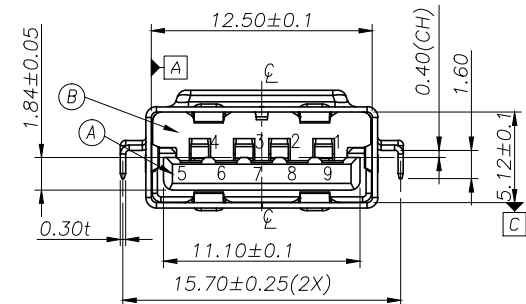
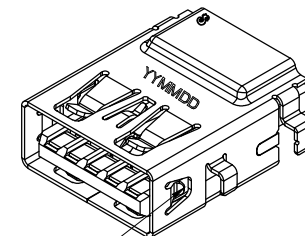


SPECIFICATIONS:

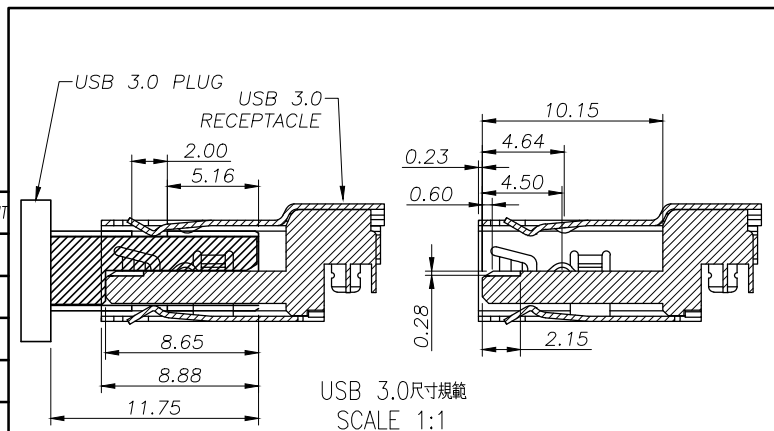
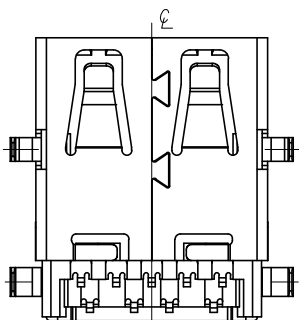
1. ELECTRICAL CHARACTERISTICS:
 - 1-1. CURRENT RATING: 1.8A (PIN1,4) ; OTHER CONTACTS 0.25A
 - 1-2. CONTACT RESISTANCE: 30mΩ MAX.
 - 1-3. DIELECTRIC WITHSTANDING VOLTAGE: 100V AC FOR 1 MINUTE
 - 1-4. INSULATION RESISTANCE: 100MΩ MIN.
2. MECHANICAL CHARACTERISTICS:
 - 2-1. INSERTION FORCE : 3.5 Kgf MAX.
 - 2-2. WITHDRAWAL FORCE : 1.0 Kgf(INITIAL),0.8 Kgf(AFTER TEST)
3. DURABILITY: 5,000 CYCLES.
4. TO CONFORM TO SINGATRON HAZARDOUS SUBSTANCE FREE SPEC.
5. HALOGEN FREE IDENTIFICATION MARK ON JACK: ©
6. HALOGEN FREE IDENTIFICATION LABEL ON PACKAGING:
7. FOR IR - REFLOW LEAD-FREE PROCESS.
8. DATE : YYMMDD
9. PACKAGING : TAPE & REEL.



Recommended P.C.B Layout (THICKNESS=1.2mm)
(Component Side) TOLERANCE=±0.05 TOP VIEW



PLUG IN
(Sping Motion Highest Point)
MAX0.4 2PLC



Pin Number	Signal ASSIGNMENT	Pin Number	Signal ASSIGNMENT
PIN 5	StdA_SSRX-	PIN 1	VBUS
PIN 6	StdA_SSRX+	PIN 2	D-
PIN 7	GND_DRAIN	PIN 3	D+
PIN 8	StdA_SSTX-	PIN 4	GND
PIN 9	StdA_SSTX+		

E	TERMINAL	5	BRASS t0.25	AU 5 μm PLATED ON MATING AREA.
D	TERMINAL	4	PHOSPHOR COPPER t0.25	Matl. Sn 100u"Min. PLATED ON SOLDERING
C	SHELL	1	STAINLESS STEEL	60u" NICKEL UNDER PLATING OVERALL
B	BASE	1	PA 9T UL94-V0	BLACK NICKEL 60u" MIN
A	HOUSING	1	PA 9T UL94-V0	BLUE (300C)
NO	DESCRIPTION	QTY	MATERIAL	PLATING & COLOR

UNLESS OTHERWISE SPECIFIED TOLERANCES

DECIMALS: ANGLES:
X :±0.5 X :±2°
X.X :±0.3 X.X :±1°
X.XX :±0.2

Singatron Enterprise Co., Ltd. 信音企業股份有限公司	
TITLE	USB 3.0 REVERSE CONNECTOR
DWN	peng PART NO.2UB4037-400201F
CHKD	james SCALE 1:1 UNIT: mm
APVD	boye SIZE: A3 SHEET: 1 OF 1 REV:B
CUSTOMER COPY	