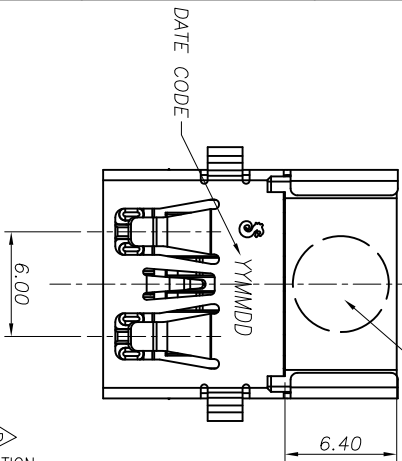
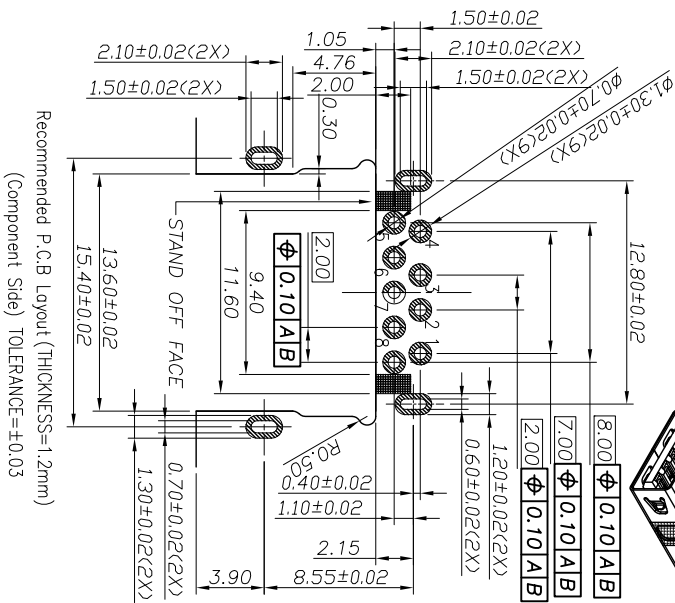
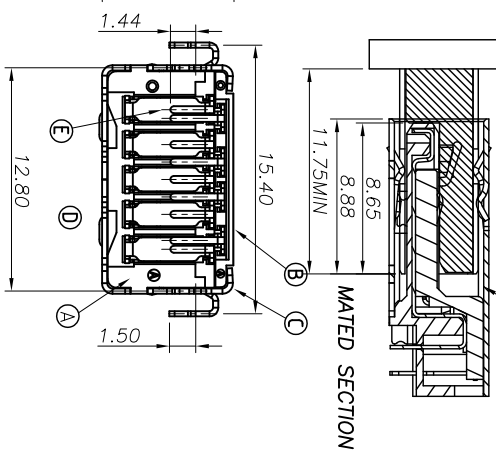
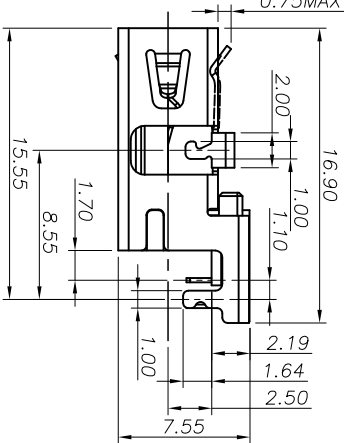
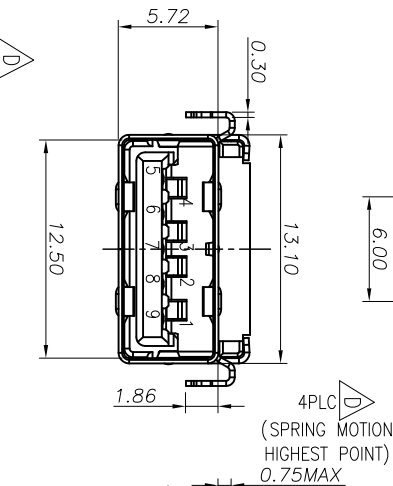


ø5.5mm AVAILABLE
VACUUM PICK UP AREA



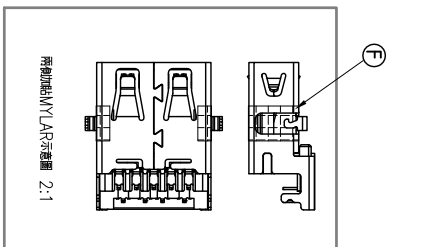
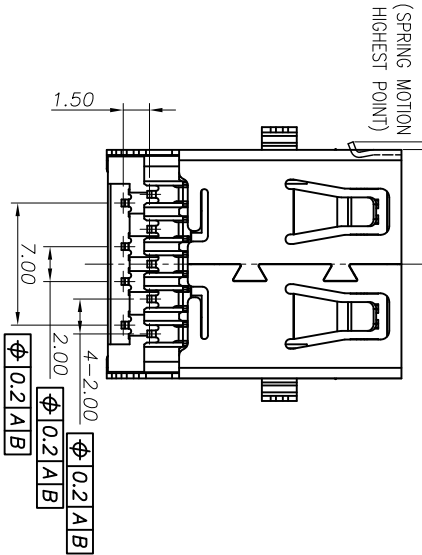
SPECIFICATIONS:

- 1. ELECTRICAL CHARACTERISTICS:**
- 1-1. CURRENT RATING: 1.8A (PIN1,4) ; OTHER CONTACTS 0.25A
 - 1-2. CONTACT RESISTANCE: 30mΩ MAX.
 - 1-3. DIELECTRIC WITHSTANDING VOLTAGE: 100V AC FOR 1 MINUTE
 - 1-4. INSULATION RESISTANCE: 100MΩ MIN
 - 2. TO CONFORM TO SINGATRON HAZARDOUS SUBSTANCE FREE SPEC.
 - 3. HALOGEN PRODUCT IDENTIFICATION MARK ON JACK: Ⓢ
 - 4. HALOGEN PRODUCT IDENTIFICATION LABEL ON PACKAGING: Ⓢ
 - 5. FOR IR REFLOW PROCESS.
 - 6. DATE : YYMMDD
 - 7. PACKAGING : TAPE & REEL.



Recommended P.C.B Layout (THICKNESS=1.2mm)
(Component Side) TOLERANCE=±0.03

REV.	ECN NO OR DESCRIPTION	REVISED	DATE
A	PRODUCT RELEASE	Acheng	2011.09.29
B	ECN NO. T120076	Acheng	2012.06.22
C	ECN NO. T130106	Even	2013.11.14
D	ECN NO. S170954-R	Song	2017.11.09



Pin Number	Signal ASSIGNMENT
PIN 1	VBUS
PIN 2	D-
PIN 3	D+
PIN 4	GND
PIN 5	SIDA_SSRX-
PIN 6	SIDA_SSRX+
PIN 7	GND_DRAM
PIN 8	SIDA_SSTX-
PIN 9	SIDA_SSTX+

F	MYLAR	2	8mm*4mm	YELLOW
E	TERMINAL	5	COOPER ALLOY	SELECTIVE GOLD FLASH/TIN
D	TERMINAL	4	COOPER ALLOY	SELECTIVE GOLD FLASH/TIN
C	SHELL	1	STAINLESS STEEL	NICKEL 60u"MIN
B	BASE	1	HIGH THERMOPLASTIC	BLACK
A	HOUSING	1	HIGH THERMOPLASTIC	BLACK
NO	DESCRIPTION	QTY	MATERIAL	PLATING & COLOR

UNLESS OTHERWISE SPECIFIED TOLERANCES:		ANGLES:	
DECIMALS:	X : ±0.5	X :	±2°
	X.X : ±0.3	X.X :	±1°
	X.XX : ±0.2		

TITLE	USB 3.0 REVERSE CONNECTOR 2.5mm
DWN	Song
CHKD	James
APVD	Boye
PART NO. SUB4039-100001F	
SCALE 1:1 UNIT: mm	
SIZE: A3 SHEET: 1 OF 1 REV: D	

Singatron Enterprise Co., Ltd.
信音企業股份有限公司

CUSTOMER COPY