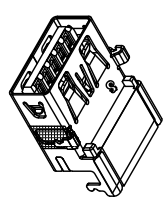
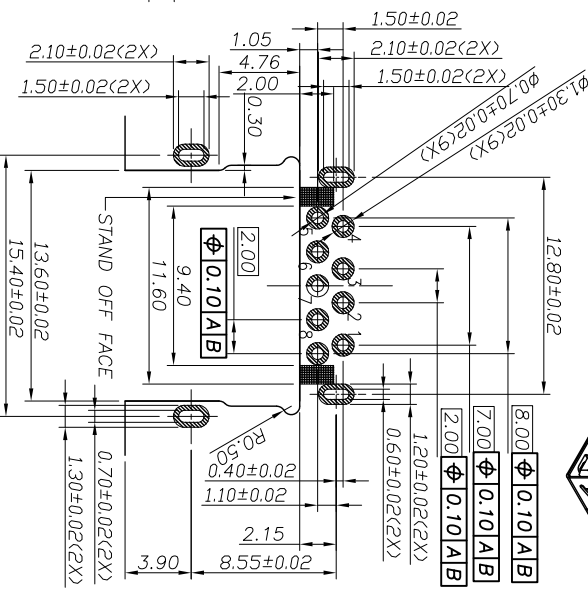
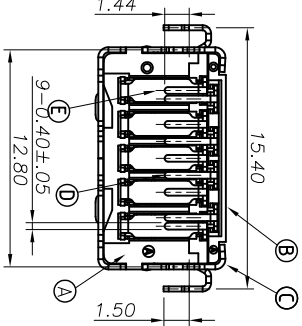
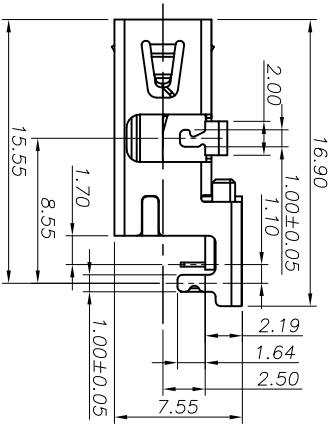
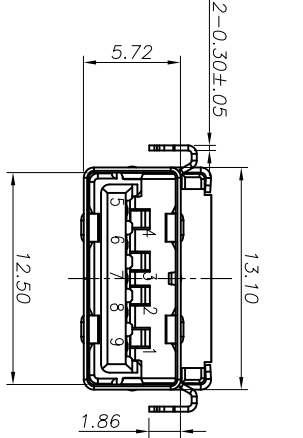
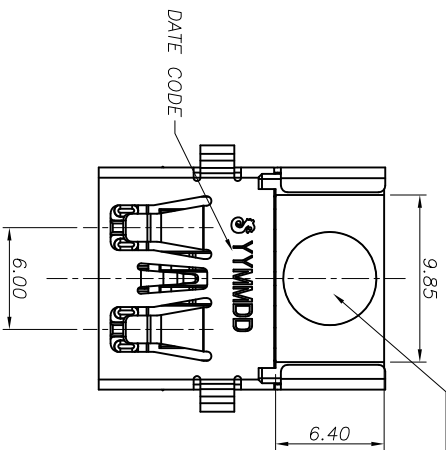
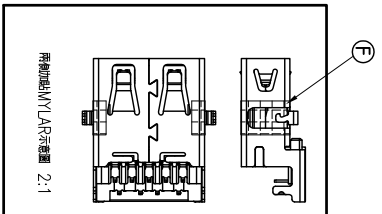
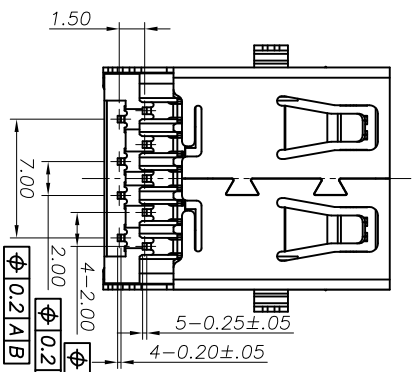


Ø5.5mm AVAILABLE  
VACUUM PICK UP AREA



**SPECIFICATIONS:**

1. ELECTRICAL CHARACTERISTICS:
  - 1-1. CURRENT RATING: 1.8A (PIN1,4) ; OTHER CONTACTS 0.25A
  - 1-2. CONTACT RESISTANCE: 30mΩ MAX.
  - 1-3. DIELECTRIC WITHSTANDING VOLTAGE: 100V AC FOR 1 MINUTE
  - 1-4. INSULATION RESISTANCE: 100MΩ MIN
2. TO CONFORM TO SINGATRON HAZARDOUS SUBSTANCE FREE SPEC.
3. HALOGEN PRODUCT IDENTIFICATION MARK ON JACK: ©
4. HALOGEN PRODUCT IDENTIFICATION LABEL ON PACKAGING: ©
5. FOR IR REFLOW PROCESS.
6. DATE : YMMDD
7. PACKAGING : TAPE & REEL.



Pin Number	Signal ASSIGNMENT
PIN 1	VBUS
PIN 2	D-
PIN 3	D+
PIN 4	GND
PIN 5	Sd4L_SSRX-
PIN 6	Sd4L_SSRX+
PIN 7	GND_DRAIN
PIN 8	Sd4L_SSTRX-
PIN 9	Sd4L_SSTRX+

F	WYLAR	2	8mm*4mm	YELLOW
E	TERMINAL	5	COOPER ALLOY	SELECTIVE GOLD FLASH/TIN
D	TERMINAL	4	COOPER ALLOY	SELECTIVE GOLD FLASH/TIN
C	SHELL	1	STAINLESS STEEL	NICKEL 60u"MIN
B	BASE	1	HIGH THERMOPLASTIC-94V0	BLUE300C
A	HOUSING	1	HIGH THERMOPLASTIC-94V0	BLUE300C
NO	DESCRIPTION	QTY	MATERIAL	PLATING & COLOR

UNLESS OTHERWISE SPECIFIED TOLERANCES

DECIMALS: ANGLES: TITLE: USB 3.0 REVERSE CONNECTOR 2.5mm

DWN: PRT NO. 2UB4039-100102F

CHKD: SCALE 1:1 UNIT: mm

APVD: SHEET 1 OF 1 REV: B

CUSTOMER COPY

REV.	ECN NO.	OR DESCRIPTION	REVISED	DATE
A		PRODUCT RELEASE	Acheng	2012.06.18
B		ECN NO: T130106	Even	2013.11.18