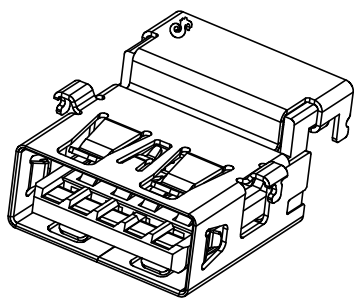
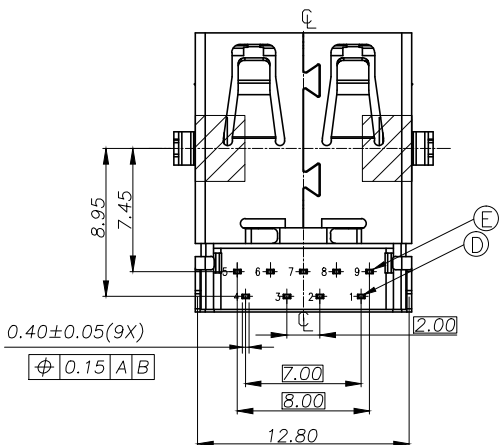
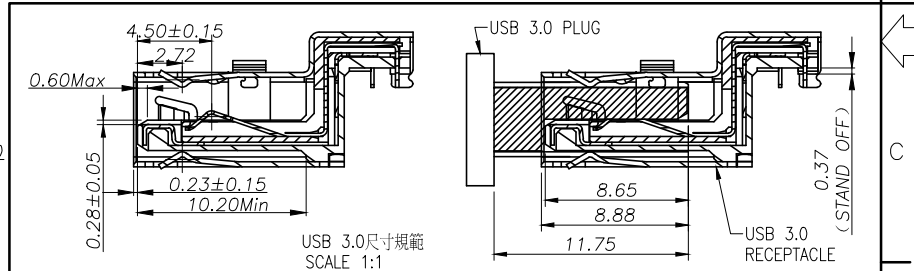
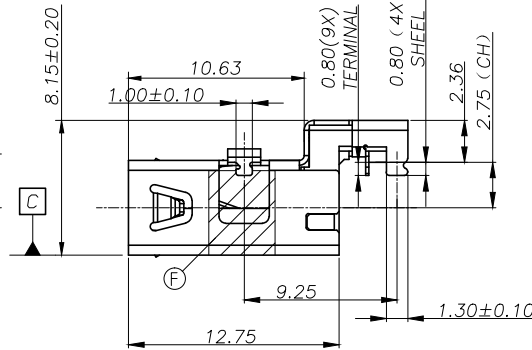
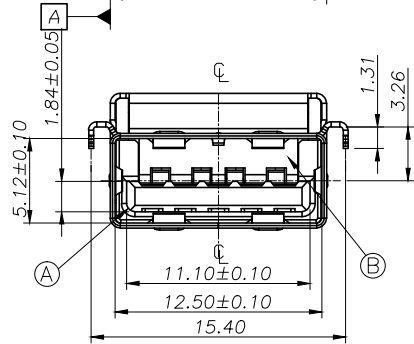
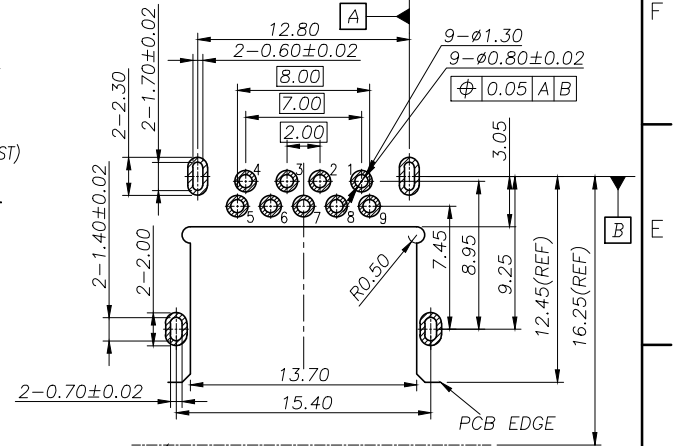
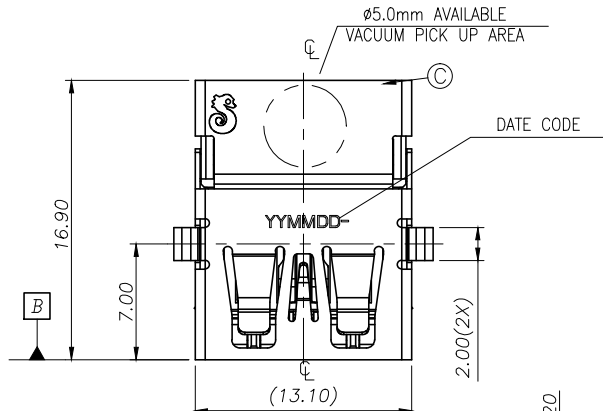


REV.	ECN NO OR DESCRIPTION	REVISED	DATE
A	PDR NO:T140124-2A	fly	2014.06.06

SPECIFICATIONS:

- ELECTRICAL CHARACTERISTICS:**
 - CURRENT RATING: 1.8A (PIN1,4) ; OTHER CONTACTS 0.25A
 - CONTACT RESISTANCE: 30mΩ MAX.
 - DIELECTRIC WITHSTANDING VOLTAGE: 100V AC FOR 1 MINUTE
 - INSULATION RESISTANCE: 100MΩ MIN
- MECHANICAL CHARACTERISTICS:**
 - INSERTION FORCE : 3.5 Kgf MAX
 - WITHDRAWAL FORCE : 1.0 Kgf MIN(INITIAL),0.8 Kgf(AFTER TEST)
- DURABILITY: 5,000 CYCLES.
- TO CONFORM TO SINGATRON HAZARDOUS SUBSTANCE FREE SPEC.
- HALOGEN PRODUCT IDENTIFICATION MARK ON JACK: Ⓢ
- HALOGEN PRODUCT IDENTIFICATION LABEL ON PACKAGING: Ⓢ
- FOR IR REFLOW PROCESS.
- DATE : YYMMDD-
- PACKAGING : TAPE & REEL.



Pin	Signal NAME	TERMINAL	QTY	MATERIAL	PLATING & COLOR
		F MYLAR	2	8mm*4mm	YELLOW
		E 5-TERMINAL	5	COPPER ALLOY T=0.20	2µin Au+30µin Pd/Ni (Min) ON MATING AREA, Matte Sn 120µin (Min) ON SOLDERING AREA, 80µin (Min) NICKEL UNDER PLATING OVERALL
1	VBUS	D 4-TERMINAL	4	COPPER ALLOY T=0.20	
2	D-	C SHELL	1	SUS304-1/2H T=0.30	NICKEL 60µin Min
3	D+	B BASE	1	PA-9T+45% GF	BLACK
4	GND	A HOUSING	1	PA-9T+45% GF	BLACK
5	StdA_SSRX-	NO DESCRIPTION			
6	StdA_SSRX+				
7	GND_DRAIN				
8	StdA_SSTX-				
9	StdA_SSTX+				

UNLESS OTHERWISE SPECIFIED TOLERANCES

DECIMALS: ANGLES:

X :±0.5 X :±2°

X.X :±0.3 X.X :±1°

X.XX :±0.2

Singatron Enterprise Co., Ltd.
信音企業股份有限公司

TITLE: USB 3.0 REVERSE CONNECTOR

DWN fly 2014.06.06 PART NO.2UB4039-150101F

CHKD SCALE 1:1 UNIT: mm

APVD poye 2014.06.06 SIZE: A3 SHEET:1 OF 1 REV: A

CUSTOMER COPY