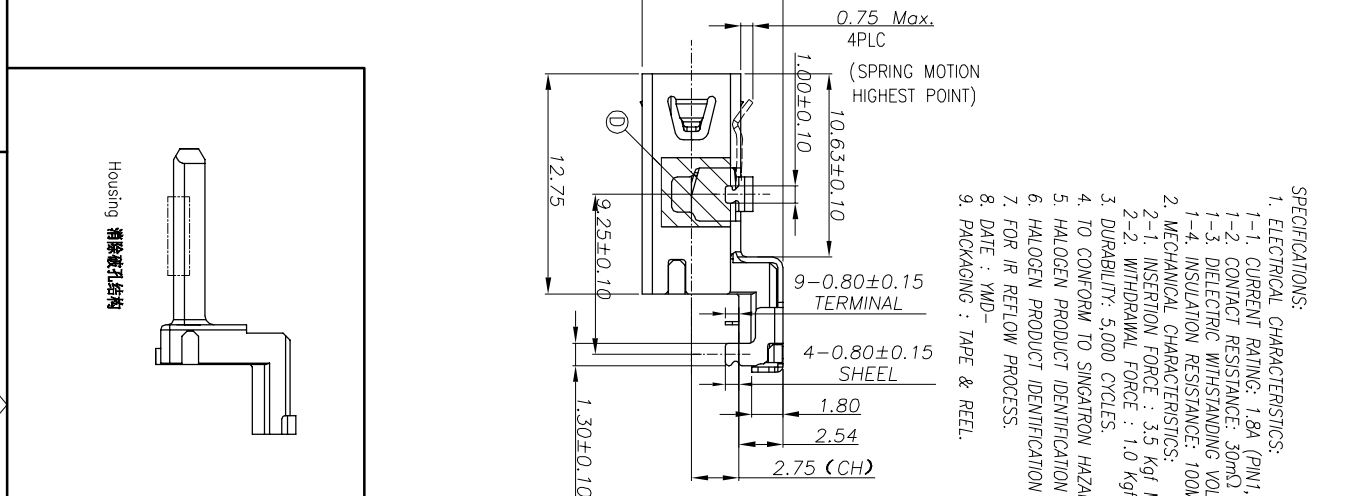
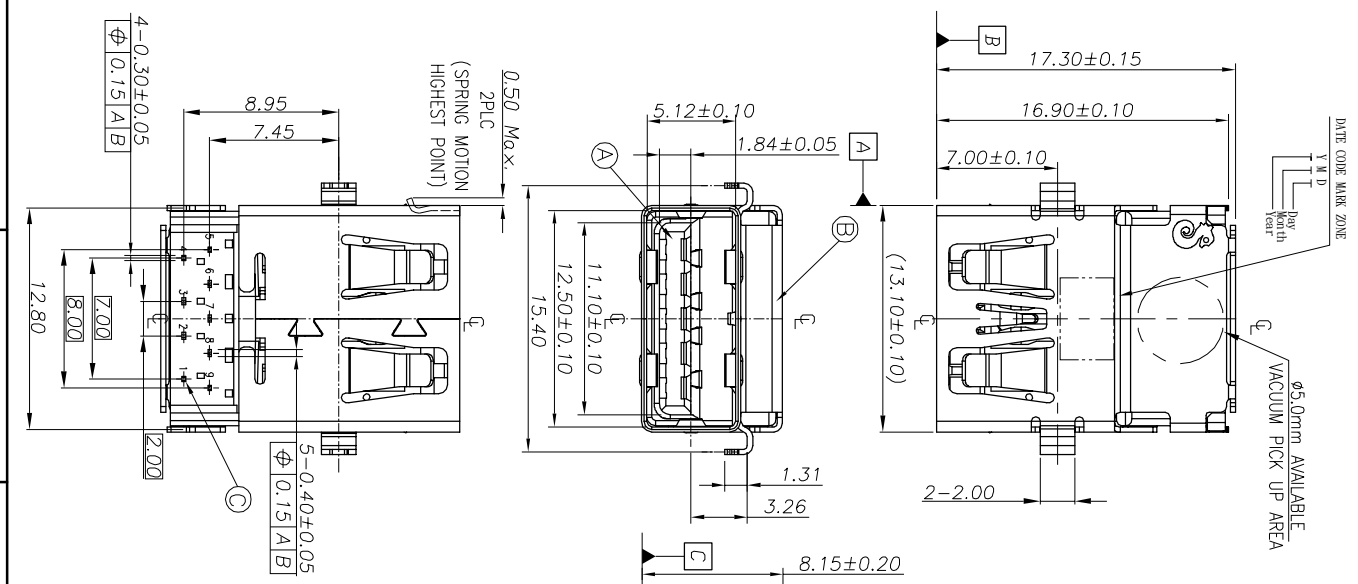
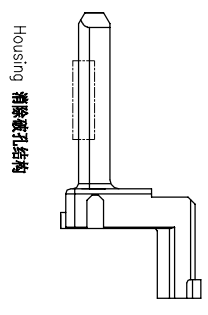


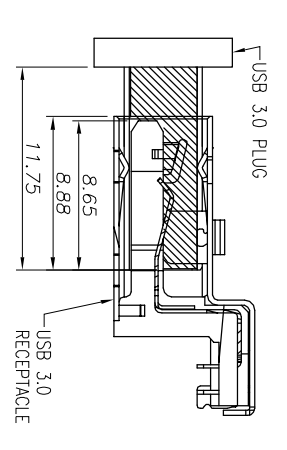
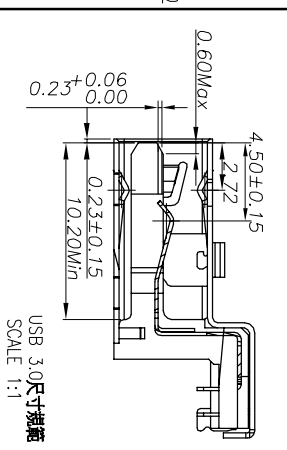
DATE CODE MARK ZONE
Y M D
Rev
Work
Test



- SPECIFICATIONS:
- ELECTRICAL CHARACTERISTICS:
 - CURRENT RATING: 1.8A (PIN1,4) ; OTHER CONTACTS 0.25A
 - CONTACT RESISTANCE: 30mΩ MAX.
 - Dielectric Withstanding Voltage: 100V AC FOR 1 MINUTE
 - INSULATION RESISTANCE: 100MΩ MIN
 - MECHANICAL CHARACTERISTICS:
 - Insertion Force : 3.5 Kgf MAX
 - Withdrawal Force : 1.0 Kgf MIN(INITIAL),0.8 Kgf(AFTER TEST)
 - DURABILITY: 5,000 CYCLES.
 - TO CONFORM TO SINGATRON HAZARDOUS SUBSTANCE FREE SPEC.
 - HALOGEN PRODUCT IDENTIFICATION MARK ON JACK: ☉
 - HALOGEN PRODUCT IDENTIFICATION LABEL ON PACKAGING: ☉
 - FOR IR REFLOW PROCESS.
 - DATE : YMD-
 - PACKAGING : TAPE & REEL.



Pin	Signal NAME	D	MYLAR
1	VBUS	C	9-TERMINAL
2	D-	B	SHELL
3	D+	A	HOUSING
4	GND	NO	DESCRIPTION
5	SID4_SSRX-	UNLESS OTHERWISE SPECIFIED TOLERANCES	
6	SID4_SSRX+	DECIMALS: ANGLES:	
7	GND_DRAIN	X	:±0.5 X :±2°
8	SID4_SSTX-	X.X	:±0.3 X.X :±1'
9	SID4_SSTX+	X.XX	:±0.2 X.XX



Pin	Signal NAME	D	MYLAR	2	4mm*4mm	YELLOW
1	VBUS	C	9-TERMINAL	9	CS210-EH 0.20T	30° Au ON WATING AREA, 20um Ni (Min) ON SOLDERING AREA, 80um (Min) NICKEL UNDER PLATING OVERALL
2	D-	B	SHELL	1	SUS304-1/2H T=0.30	NICKEL 60um Min
3	D+	A	HOUSING	1	PA-9T+45% GF	BLACK
4	GND	NO	DESCRIPTION	QTY	MATERIAL	PLATING & COLOR
5	SID4_SSRX-	UNLESS OTHERWISE SPECIFIED TOLERANCES		TITLE		
6	SID4_SSRX+	DECIMALS: ANGLES:		USB 3.0 REVERSE CONNECTOR		
7	GND_DRAIN	X	:±0.5 X :±2°	DWG		
8	SID4_SSTX-	X.X	:±0.3 X.X :±1'	CHKD		
9	SID4_SSTX+	X.XX	:±0.2 X.XX	APVD		

Singatron Enterprise Co., Ltd.
信登企業股份有限公司
CUSTOMER COPY

REV	ECN NO	OR DESCRIPTION	REVISED	DATE
E	ECN NO.S190542-E		KIWMAN	2019.07.11
F	ECN NO.S190828-R		KIWMAN	2019.08.16
G	ECN NO.S201910-R01		Mystic	2020.04.13