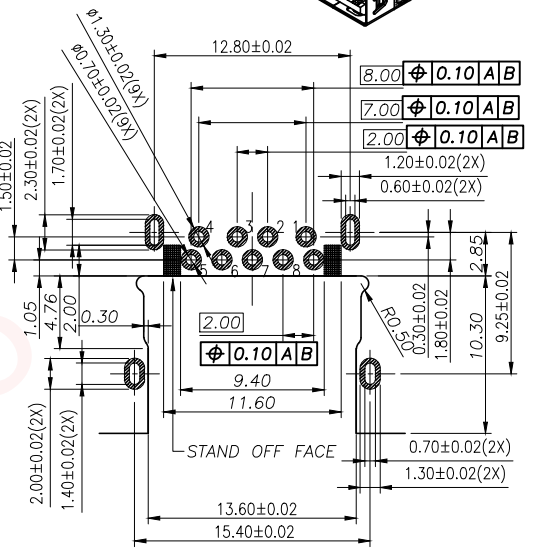
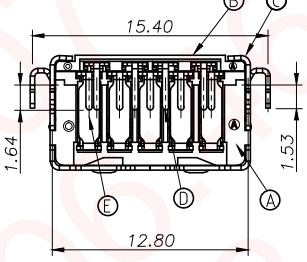
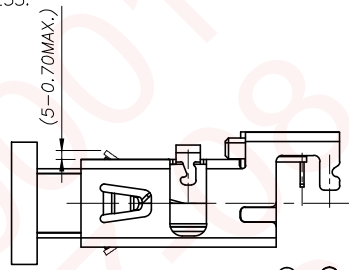
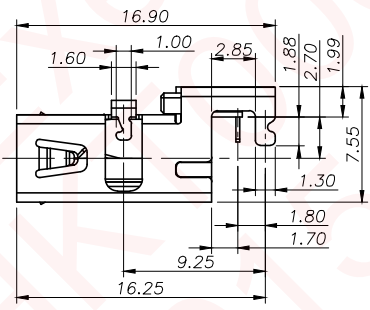
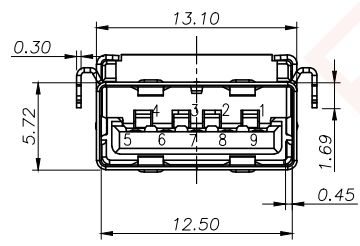
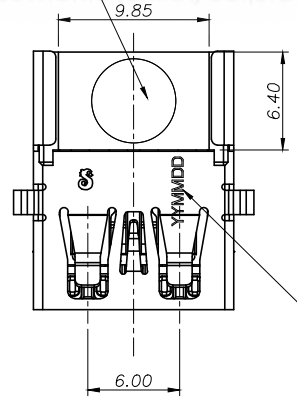


REV.	ECN NO OR DESCRIPTION	REVISED	DATE
C	ECN NO: T130106	Even	2013.11.18
D	ECN NO: S140912	SEAN	2014.10.29
E	ECN NO:150555-E	peng-j	2015.06.30

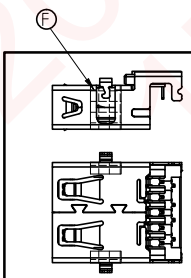
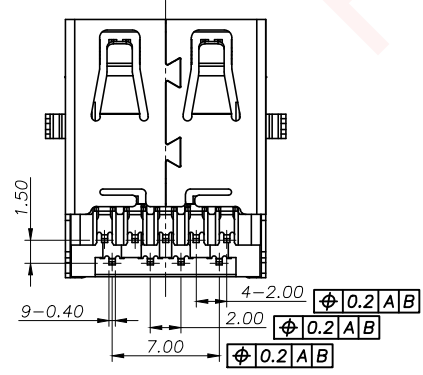
ø5.5mm AVAILABLE
VACUUM PICK UP AREA

SPECIFICATIONS:

- ELECTRICAL CHARACTERISTICS:
 - CURRENT RATING: 1.8A (PIN1,4) ; OTHER CONTACTS 0.25A
 - CONTACT RESISTANCE: 30mΩ MAX.
 - DIELECTRIC WITHSTANDING VOLTAGE: 100V AC FOR 1 MINUTE
 - INSULATION RESISTANCE: 100MΩ MIN
- TO CONFORM TO SINGATRON HAZARDOUS SUBSTANCE FREE SPEC.
- HALOGEN FREE PRODUCT IDENTIFICATION MARK IN JACK: ©
- HALOGEN FREE PRODUCT IDENTIFICATION LABEL ON PACKAGING: ©
- FOR WAVE SOLDERING LEAD-FREE PROCESS.
- DATE : YYMMDD
- PACKAGING : TAPE & REEL.



Recommended P.C.B Layout (THICKNESS=1.2mm)
(Component Side) TOLERANCE=±0.03 TOP VIEW



Pin Number	Signal ASSIGNMENT
PIN 1	VBUS
PIN 2	D-
PIN 3	D+
PIN 4	GND
PIN 5	StdA_SSRX-
PIN 6	StdA_SSRX+
PIN 7	GND_DRAIN
PIN 8	StdA_SSTX-
PIN 9	StdA_SSTX+

F	MYLAR	2	8mm*4mm	YELLOW
E	TERMINAL	5	COOPER ALLOY	GOLD FLASH ON CONTACT AREA 100μ" WHITE SN PLATED ON SOLDERING
D	TERMINAL	4	COOPER ALLOY	60μ" NICKEL UNDER PLATING OVERALL
C	SHELL	1	STAINLESS STEEL	NICKEL 60μ" MIN
B	BASE	1	HIGH THERMOPLASTIC	BLUE (300C)
A	HOUSING	1	HIGH THERMOPLASTIC	BLUE (300C)
NO	DESCRIPTION	QTY	MATERIAL	PLATING & COLOR
UNLESS OTHERWISE SPECIFIED TOLERANCES				
Singatron Enterprise Co., Ltd. 信音企業股份有限公司				
DECIMALS: ANGLES:				
X	:±0.5	X	:±2°	
X.X	:±0.4	X.X	:±1°	
X.XX	:±0.3			
TITLE	USB 3.0 REVERSE CONNECTOR			
DWN	peng-j	PART NO.2UB4039-200011F		
CHKD	cery	SCALE 1:1	UNIT: mm	④
APVD	liao	SIZE: A3	SHEET: 1 OF 1	REV: E
CUSTOMER COPY				