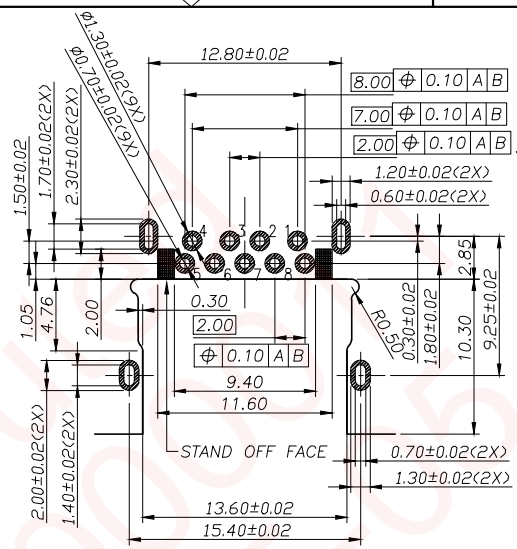
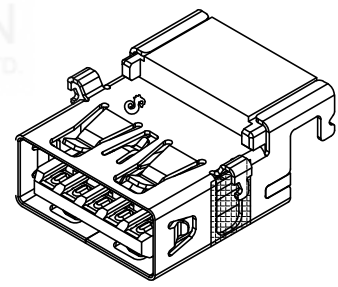
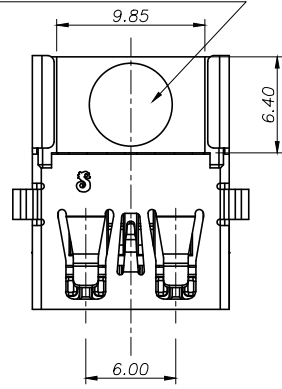


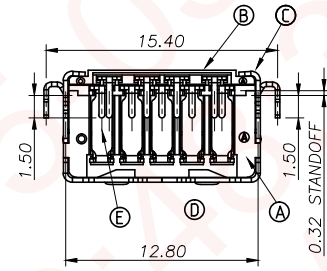
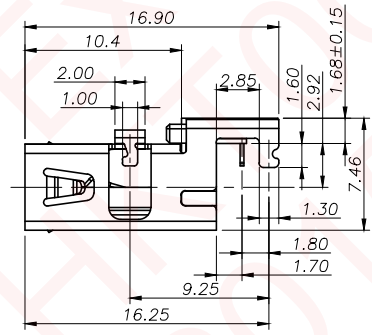
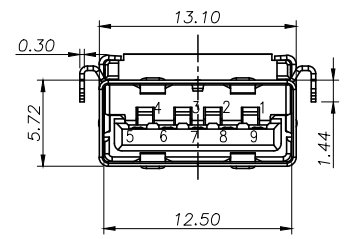
REV.	ECN NO OR DESCRIPTION	REVISED	DATE
D	ECN NO: T120151	Duke	2013.05.13
E	ECN NO: T130106	Even	2013.11.18
F	ECN NO: S150151	SEAN	2015.04.23

- SPECIFICATIONS:
- ELECTRICAL CHARACTERISTICS:
 - CURRENT RATING: 1.8A (PIN1,4) ; OTHER CONTACTS 0.25A
 - CONTACT RESISTANCE: 30mΩ MAX.
 - DIELECTRIC WITHSTANDING VOLTAGE: 100V AC FOR 1 MINUTE
 - INSULATION RESISTANCE: 100MΩ MIN
 - MECHANICAL CHARACTERISTICS:
 - INSERTION FORCE : 3.5 Kgf MAX
 - WITHDRAWAL FORCE : 1.0 Kgf(INITIAL),0.8Kgf(AFTER TEST)
 - DURABILITY: 5,000 CYCLES.
 - TO CONFORM TO SINGATRON HAZARDOUS SUBSTANCE FREE SPEC.
 - HALOGEN FREE PRODUCT IDENTIFICATION MARK ON JACK: Ⓞ
 - HALOGEN FREE PRODUCT IDENTIFICATION LABEL ON PACKAGING:
 - FOR IR RE-FLow PROCESS.
 - DATE : YYMMDD
 - PACKAGING : TAPE & REEL.

ø5.5mm AVAILABLE
VACUUM PICK UP AREA



Recommended P.C.B Layout (THICKNESS=1.2mm)
(Component Side) TOLERANCE=±0.03 TOP VIEW



Pin Number	Signal ASSIGNMENT
PIN 1	VBUS
PIN 2	D-
PIN 3	D+
PIN 4	GND
PIN 5	StdA_SSRX-
PIN 6	StdA_SSRX+
PIN 7	GND_DRAIN
PIN 8	StdA_SSTX-
PIN 9	StdA_SSTX+

NO	DESCRIPTION	QTY	MATERIAL	PLATING & COLOR
F	MYLAR	2	8mm*4mm	YELLOW
E	TERMINAL	5	COOPER ALLOY	20%Ni OVER 300%Pd/Ni PLATED ON MATING AREA, 120% MATTE Sn PLATED ON SOLDERING 80%NICKEL UNDER PLATING OVERALL
D	TERMINAL	4	COOPER ALLOY	20%Ni OVER 300%Pd/Ni PLATED ON MATING AREA, 120% MATTE Sn PLATED ON SOLDERING 80%NICKEL UNDER PLATING OVERALL
C	SHELL	1	STAINLESS STEEL	NICKEL 60u"MIN
B	BASE	1	HIGH THERMOPLASTIC	BLUE (300C)
A	HOUSING	1	HIGH THERMOPLASTIC	BLUE (300C)

UNLESS OTHERWISE SPECIFIED TOLERANCES		SINGATRON ENTERPRISE CO., LTD. 信音企業股份有限公司	
DECIMALS:	ANGLES:	TITLE: USB 3.0 REVERSE CONNECTOR	
X : ±0.5	X : ±2°	DWN SEAN	PART NO. 2UB4039-300111F
X.X : ±0.4	X.X : ±1°	CHKD CERRY	SCALE 1:1 UNIT: mm
X.XX : ±0.3		APVD LIAO	SIZE: A3 SHEET: 1 OF 1 REV: F
CUSTOMER COPY			

