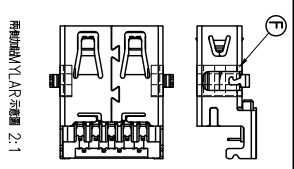
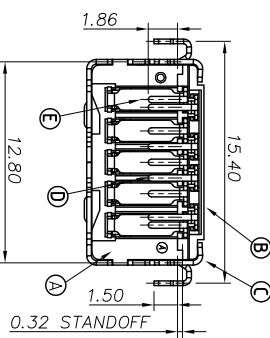
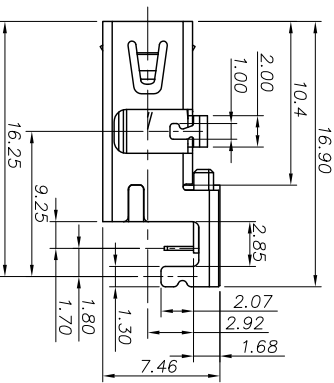
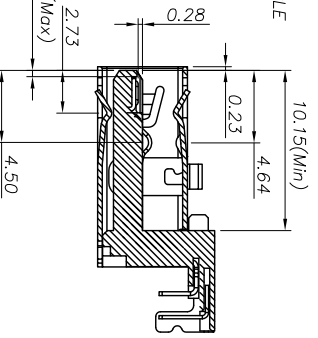
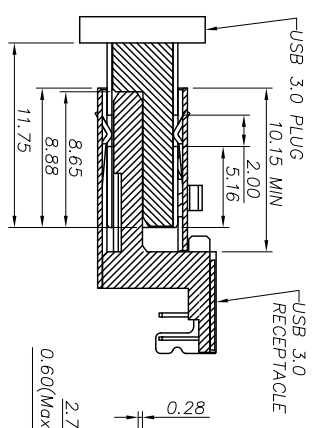
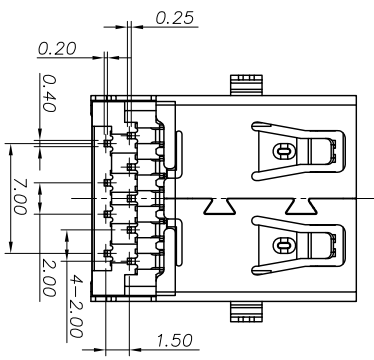


Recommended P.C.B layout (THICKNESS=1.2mm)
(Component Side) TOLERANCE=±0.03 TOP VIEW



- SPECIFICATIONS:
- ELECTRICAL CHARACTERISTICS:
 - CURRENT RATING: 2A (PIN1,4) ; OTHER CONTACTS 0.25A
 - CONTACT RESISTANCE: 30mΩ MAX.
 - DIELECTRIC WITHSTANDING VOLTAGE: 300V AC FOR 1 MINUTE
 - INSULATION RESISTANCE: 100MΩ MIN
 - MECHANICAL CHARACTERISTICS:
 - INSERTION FORCE : 3.5 Kgf MAX
 - WITHDRAWAL FORCE : 1.0 kgf(INITIAL)0.8kgf(AFTER TEST)
 - DURABILITY: 5,000 CYCLES.
 - TO CONFORM TO SINGATRON HAZARDOUS SUBSTANCE FREE SPEC.
 - HALOGEN FREE IDENTIFICATION MARK ON JACK.Ⓢ
 - HALOGEN FREE IDENTIFICATION LABEL ON PACKAGING.
 - FOR IR RE-FLow PROCESS.
 - DATE : YYMMDD
 - PACKAGING : TAPE & REEL.

| Pin Number | Signal ASSIGNMENT |
|------------|-------------------|
| Pin 1 | VBUS |
| Pin 2 | D- |
| Pin 3 | D+ |
| Pin 4 | GND |
| Pin 5 | SDA_SSRX- |
| Pin 6 | SDA_SSRX+ |
| Pin 7 | GND_DRAIN |
| Pin 8 | SDA_SSTX- |
| Pin 9 | SDA_SSTX+ |



USB 3.0尺寸規範
SCALE 1:1

| NO | DESCRIPTION | QTY | MATERIAL | PLATING & COLOR |
|----|-------------|-----|--------------------------------|-----------------|
| A | HOUSING | 1 | HIGH TEMP.THERMOPLASTIC USAW-0 | BLACK |
| B | BASE | 1 | HIGH TEMP.THERMOPLASTIC USAW-0 | BLACK |
| C | SHELL | 1 | STAINLESS STEEL | NICKEL 60U*MIN |
| D | TERMINAL | 4 | COOPER ALLOY | |
| E | TERMINAL | 5 | COOPER ALLOY | |
| F | MYLAR | 2 | 8mm*4mm | YELLOW |

| DECIMALS: | ANGLES: |
|------------|----------|
| X : ±0.5 | X : ±2° |
| XX : ±0.4 | XX : ±1° |
| XXX : ±0.3 | |

| TITLE | USB 3.0 REVERSE CONNECTOR |
|----------|---------------------------|
| DWG NO | WZ02R |
| CHKD DWE | WZ02R |
| APVD | WZ02R |
| PART NO. | 2UB4039-400111F |
| SCALE | 1:1 |
| UNIT | mm |
| SIZE | A3 |
| SHEET | 1 OF 1 |
| REV | A |

Singatron Enterprise Co., Ltd.
信亨企業股份有限公司

CUSTOMER COPY