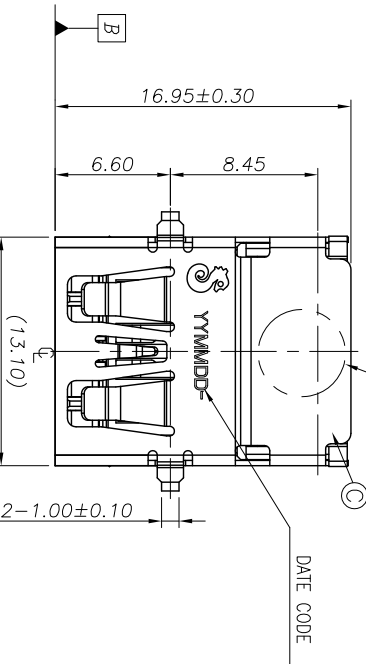
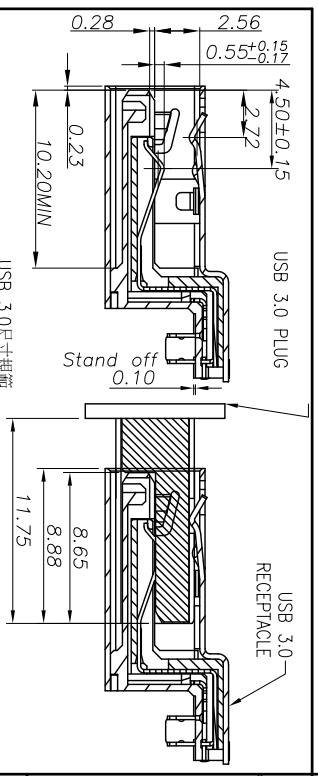
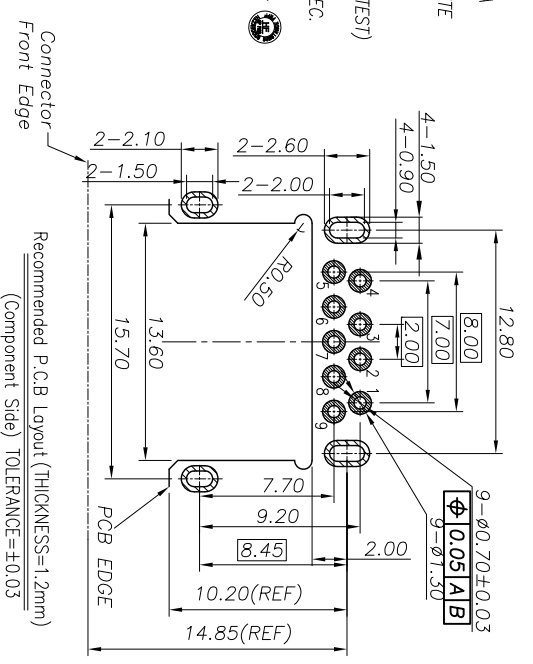
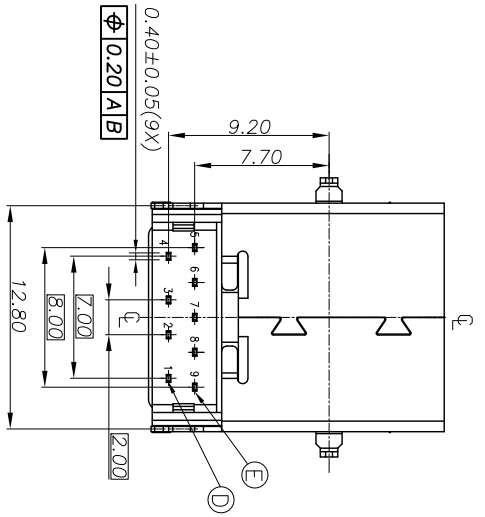
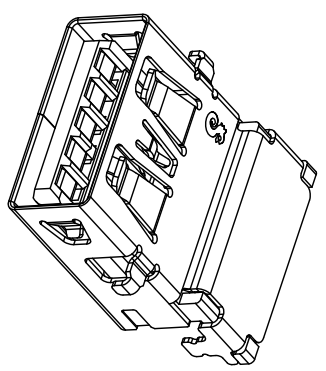
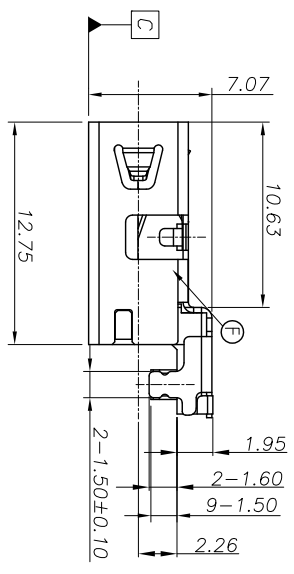
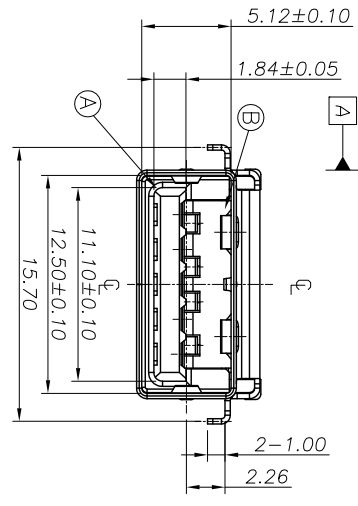


REV.	ECN NO OR DESCRIPTION	REVISED	DATE
A	PDR NO:S130515-1A	ED.ZHOU	2013.10.15
B	ECN NO:S131270	SEAN	2014.04.10



- SPECIFICATIONS:**
- 1. ELECTRICAL CHARACTERISTICS:**
- 1-1. CURRENT RATING: 1.8A (PIN1,4) ; OTHER CONTACTS 0.25A
 - 1-2. CONTACT RESISTANCE: 30mΩ MAX.
 - 1-3. DIELECTRIC WITHSTANDING VOLTAGE: 100V AC FOR 1 MINUTE
 - 1-4. INSULATION RESISTANCE: 100MΩ MIN
- 2. MECHANICAL CHARACTERISTICS:**
- 2-1. INSERTION FORCE : 3.5 Kgf MAX
 - 2-2. WITHDRAWAL FORCE : 1.0 Kgf MIN(INITIAL),0.8 Kgf(AFTER TEST)
- 3. DURABILITY: 5,000 CYCLES.**
- 4. TO CONFORM TO SINGATRON HAZARDOUS SUBSTANCE FREE SPEC.**
- 5. HALOGEN FREE PRODUCT IDENTIFICATION MARK ON JACK: Ⓢ**
- 6. HALOGEN FREE PRODUCT IDENTIFICATION LABEL ON PACKAGING: Ⓢ**
- 7. FOR IR REFLOW PROCESS.**
- 8. DATE : YMMD-**
- 9. PACKAGING : TAPE & REEL.**



Pin	Signal NAME	DESCRIPTION	UNLESS OTHERWISE SPECIFIED TOLERANCES	DECIMALS:	ANGLES:
1	VBUS	D	4-TERMINAL	5-TERMINAL	
2	D-	B	SHELL	4-TERMINAL	
3	D+	A	BASE	4-TERMINAL	
4	GND	NO	HOUSING DESCRIPTION	5-TERMINAL	
5	SIDA_SSPX-	NO	DESCRIPTION	5-TERMINAL	
6	SIDA_SSPX+	NO	DESCRIPTION	5-TERMINAL	
7	GND_DRAIN	NO	DESCRIPTION	5-TERMINAL	
8	SIDA_SSTX-	NO	DESCRIPTION	5-TERMINAL	
9	SIDA_SSTX+	NO	DESCRIPTION	5-TERMINAL	

TITLE	SEAN	PART NO.	SCALE	UNIT	UNIT	SHEET	REV.
USB 3.0 REVERSE CONNECTOR	SEAN	2UB34039-800301F	1:1	mm	mm	1 OF 1	B

UNLESS OTHERWISE SPECIFIED TOLERANCES

DECIMALS: ANGLES:

UNLESS OTHERWISE SPECIFIED TOLERANCES

信登企業股份有限公司

Singaton Enterprise Co., Ltd.