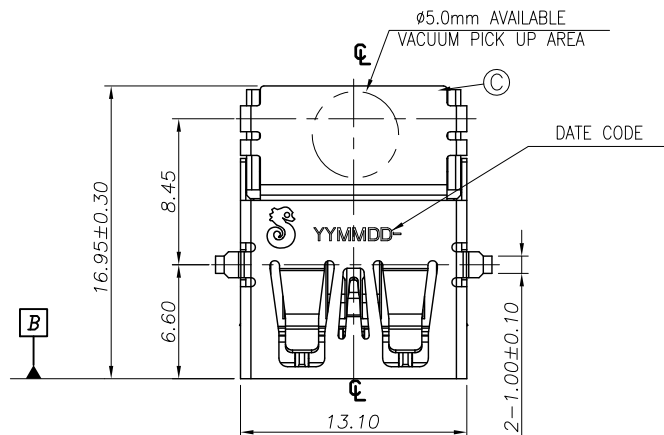
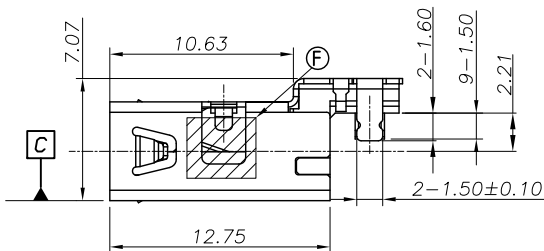
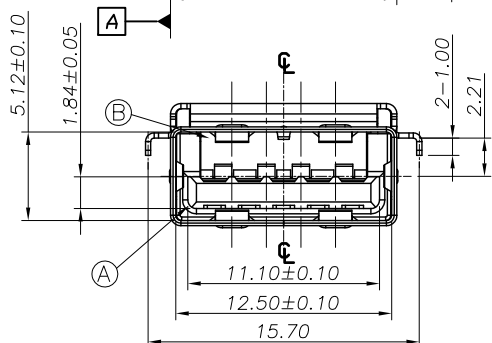
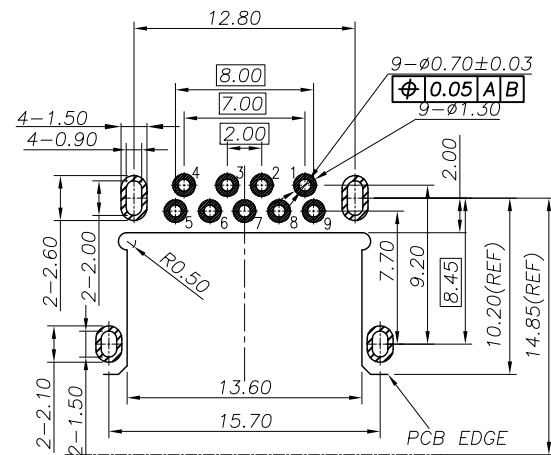


REV.	ECN NO OR DESCRIPTION	REVISED	DATE
A.	PDR NO:T120817-1A	fly	2012.12.20



SPECIFICATIONS:

- ELECTRICAL CHARACTERISTICS:**
 - 1-1. CURRENT RATING: 1.8A (PIN1,4) ; OTHER CONTACTS 0.25A
 - 1-2. CONTACT RESISTANCE: 30mΩ MAX.
 - 1-3. DIELECTRIC WITHSTANDING VOLTAGE: 100V AC FOR 1 MINUTE
 - 1-4. INSULATION RESISTANCE: 100MΩ MIN
- MECHANICAL CHARACTERISTICS:**
 - 2-1. INSERTION FORCE : 3.5 Kgf MAX
 - 2-2. WITHDRAWAL FORCE : 1.0 Kgf MIN(INITIAL),0.8 Kgf(AFTER TEST)
- DURABILITY:** 5,000 CYCLES.
- TO CONFORM TO SINGATRON HAZARDOUS SUBSTANCE FREE SPEC.**
- HALOGEN PRODUCT IDENTIFICATION MARK ON JACK:** Ⓞ
- HALOGEN PRODUCT IDENTIFICATION LABEL ON PACKAGING:**
- FOR IR REFLOW PROCESS.**
- DATE :** YMMDD-
- PACKAGING :** TAPE & REEL.



Connector Front Edge
Recommended P.C.B Layout (THICKNESS=1.2mm)
(Component Side) TOLERANCE=±0.03

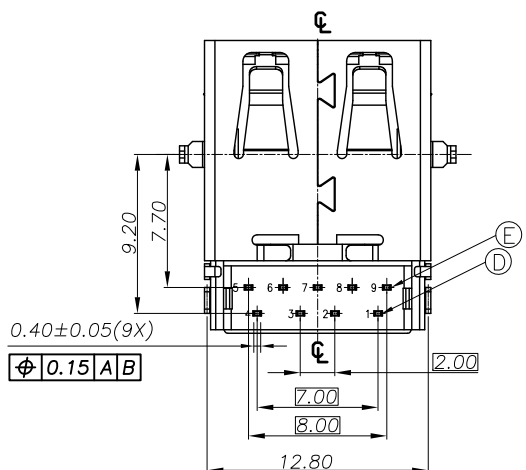
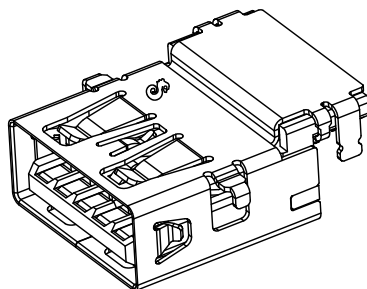
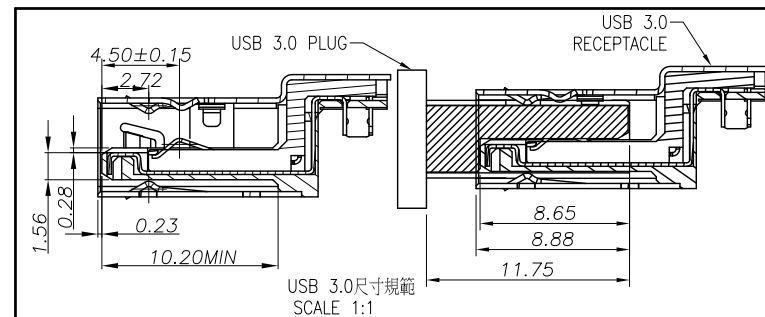


TABLE:

P/N	P/N	PLATING
2UB4039-800X01F	2UB4039-800101F	GOLD FLASH ON MATING AREA, MATTE Sn 100µin ON SOLDERING AREA, 80µin NICKEL UNDER PLATING OVERALL
2UB4039-800X01F	2UB4039-800201F	Au 30µin ON MATING AREA, MATTE Sn 100µin ON SOLDERING AREA, 80µin NICKEL UNDER PLATING OVERALL

Pin	Signal NAME	QTY	MATERIAL	PLATING & COLOR
F	MYLAR	2	4mm*4mm	YELLOW
E	5-TERMINAL	5	COPPER ALLOY T=0.20	SEE TABLE
D	4-TERMINAL	4	COPPER ALLOY T=0.20	
1	VBUS			
C	SHELL	1	STAINLESS STEEL T=0.30	NICKEL 60u"MIN
2	D-			
B	BASE	1	HIGH THERMOPLASTIC	BLACK
3	D+			
A	HOUSING	1	HIGH THERMOPLASTIC	BLACK
4	GND			
5	StdA_SSRX-			
6	StdA_SSRX+			
7	GND_DRAIN			
8	StdA_SSTX-			
9	StdA_SSTX+			

UNLESS OTHERWISE SPECIFIED TOLERANCES

DECIMALS: X :±0.5 X.X :±0.3 X.XX :±0.2
ANGLES: X :±2° X.X :±1°

Singatron Enterprise Co., Ltd.
信音企業股份有限公司

TITLE: USB 3.0 REVERSE CONNECTOR
DWN fly 2013.3.15 PART NO.2UB4039-800X01F
CHKD boye 2013.3.15 SCALE 1:1 UNIT: mm
APVD quan 2013.3.15 SIZE: A3 SHEET:1 OF 1 REV: A

CUSTOMER COPY