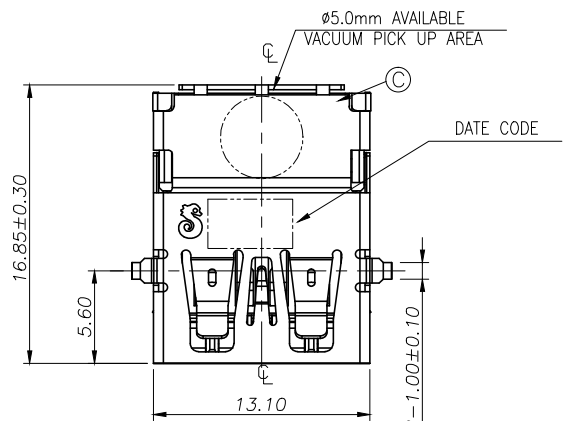
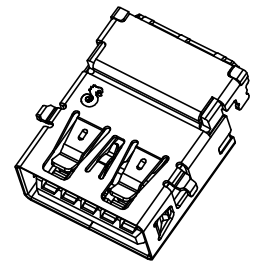
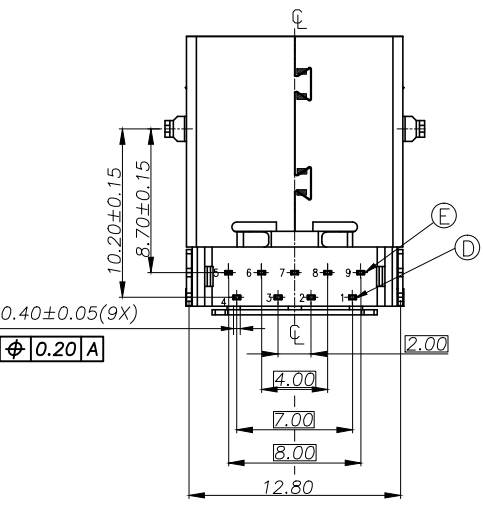
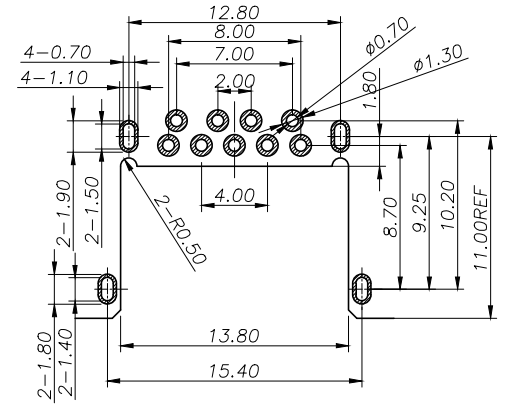
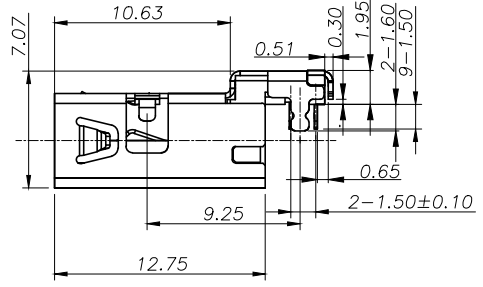
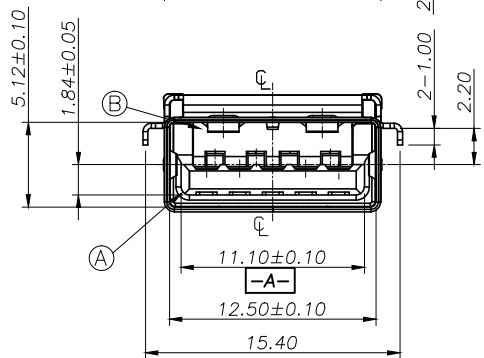


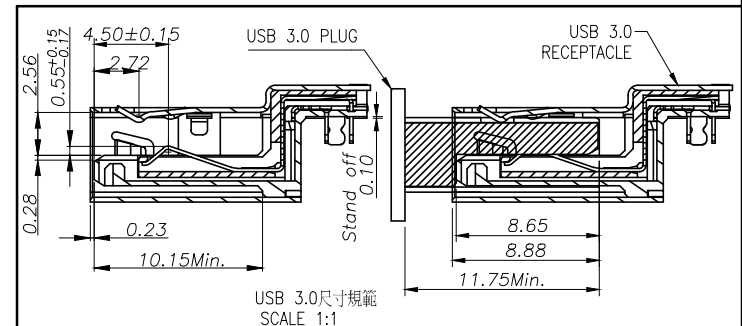
REV.	ECN NO OR DESCRIPTION	REVISED	DATE
A	PDR NO:T180810-4A	Charles	2019.04.15



- SPECIFICATIONS:**
- ELECTRICAL CHARACTERISTICS:**
    - CURRENT RATING: 1.8A (PIN1,4) ; OTHER CONTACTS 0.25A
    - CONTACT RESISTANCE: 30mΩ MAX.
    - DIELECTRIC WITHSTANDING VOLTAGE: 100V AC FOR 1 MINUTE
    - INSULATION RESISTANCE: 100MΩ MIN
  - MECHANICAL CHARACTERISTICS:**
    - INSERTION FORCE : 3.5 Kgf MAX
    - WITHDRAWAL FORCE : 1.0 Kgf MIN(INITIAL),0.8 Kgf(AFTER TEST)
  - DURABILITY: 5,000 CYCLES.
  - TO CONFORM TO SINGATRON HAZARDOUS SUBSTANCE FREE SPEC.
  - HALOGEN FREE PRODUCT IDENTIFICATION MARK ON JACK: ©
  - HALOGEN FREE PRODUCT IDENTIFICATION LABEL ON PACKAGING: ©
  - FOR IR REFLOW PROCESS.
  - DATE : YYMMDD-
  - PACKAGING : TAPE & REEL.



3D VIEW



Pin	Signal NAME	E	5-TERMINAL	5	C2680-H T=0.20	GOLD FLASH- ON PLATING CONTACT AREA Matte Sn 120u" ON SOLDER AREA 80uIN NICKEL UNDER PLATING OVERALL	
1	VBUS	D	4-TERMINAL	4	C5210-EH T=0.20		
2	D-	C	SHELL	1	SUS304-1/2H 0.30T	NICKEL 60u"MIN	
3	D+	B	BASE	1	PA9T+45%GF UL94V-0	BLACK	
4	GND	A	HOUSING	1	PA9T+45%GF UL94V-0	BLACK	
5	StdA_SSRX-	NO	DESCRIPTION	QTY	MATERIAL	PLATING & COLOR	
6	StdA_SSRX+	UNLESS OTHERWISE SPECIFIED TOLERANCES					SINGATRON ENTERPRISE CO., LTD. 信晉企業股份有限公司
7	GND_DRAIN	DECIMALS: ANGLES:					
8	StdA_SSTX-	X :±0.5 X :±2°					TITLE: USB 3.0 REVERSE CONNECTOR
9	StdA_SSTX+	X.X :±0.3 X.X :±1°					
		X.XX :±0.2					
APVD: Boye							PART NO.2UB4039-810111F SCALE 1:1 UNIT: mm ©
CUSTOMER COPY							