

REV	ECN NO OR DESCRIPTION	REVISED	DATE
A	ECN NO:S180801-0-3	PAN	2018.09.10

- SPECIFICATIONS:
1. ELECTRICAL CHARACTERISTICS:
- 1-1. CURRENT RATING: 1.8A (PIN1,4) ; OTHER CONTACTS 0.25A
 - 1-2. CONTACT RESISTANCE: 30mΩ MAX.
 - 1-3. DIELECTRIC WITHSTANDING VOLTAGE: 100V AC FOR 1 MINUTE
 - 1-4. INSULATION RESISTANCE: 100MΩ MIN
2. MECHANICAL CHARACTERISTICS:
- 2-1. INSERTION FORCE : 3.5 Kgf MAX
 - 2-2. WITHDRAWAL FORCE : 1.0 Kgf MIN(INITIAL),0.8 Kgf(AFTER TEST)
3. DURABILITY: 5,000 CYCLES.
4. TO CONFORM TO SINGACRON HAZARDOUS SUBSTANCE FREE SPEC.
5. HALOGEN PRODUCT IDENTIFICATION MARK ON JACK:
6. HALOGEN PRODUCT IDENTIFICATION LABEL ON PACKAGING:
7. FOR IR REFLOW PROCESS.
8. DATE : YMMDD-
9. PACKAGING : TAPE & REEL.

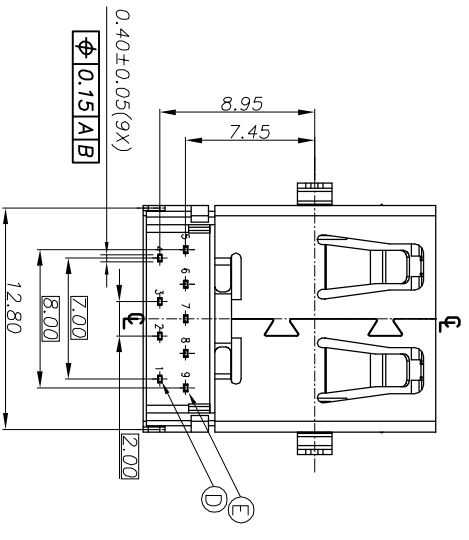
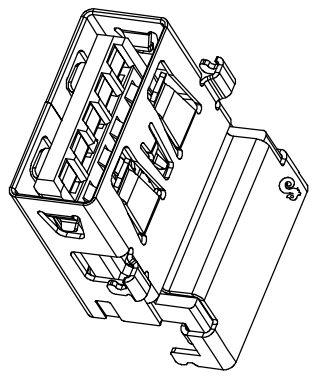
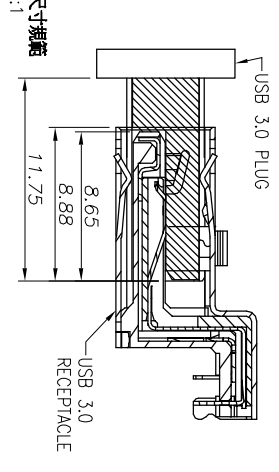
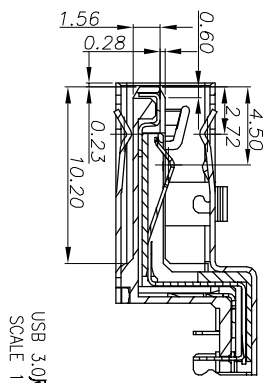
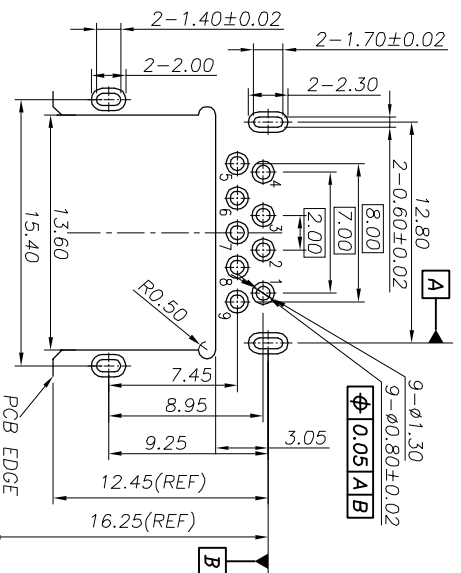
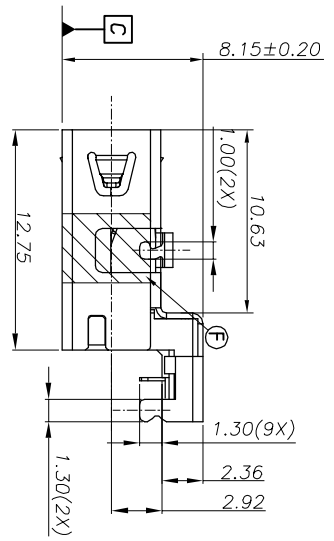
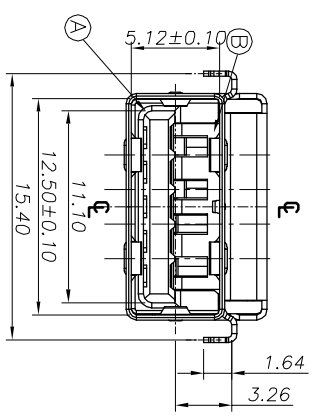
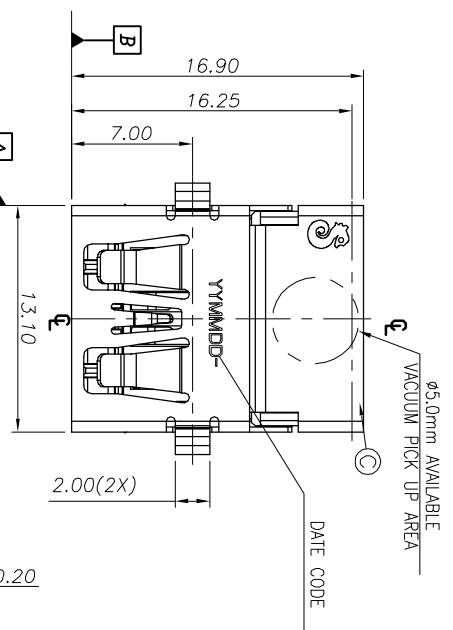


TABLE:

P/N	PLATING
ZUB4039-900101F	GOLD FLASH ON MATING AREA WHITE Sn 120um ON SOLDERING AREA ROHS NICKEL UNDER PLATING OVERALL

Pin	Signal NAME	F	2	5	SEE TABLE
1	VBUS	E	MYLAR	Bmm*4mm	YELLOW
2	D-	D	5-TERMINAL	1	COPPER ALLOY T=0.20
3	D+	C	4-TERMINAL	4	COPPER ALLOY T=0.20
4	GND	B	SHELL	1	STAINLESS STEEL T=0.30
5	GND	A	BASE	1	HIGH THERMOPLASTIC
6	SIDA_SSRX+	NO	HOUSING	1	HIGH THERMOPLASTIC
7	SIDA_SSRX-	UNLESS OTHERWISE SPECIFIED TOLERANCES	DESCRIPTION		PLATING & COLOR
8	SIDA_SSTX-	DECIMALS:	ANGLES:		
9	SIDA_SSTX+	X : ±0.5	X : ±2°		
		X.X : ±0.3	X.X : ±1°		
		X.XX : ±0.2			

Singatron Enterprise Co., Ltd.
信登企業股份有限公司

TITLE: USB 3.0 REVERSE CONNECTOR

DWN: PART NO. ZUB4039-900101F

CHKD: SCALE 1:1 UNIT: mm

APVD: SIZE: A3 SHEET: 1 OF 1 REV: A

CUSTOMER COPY

