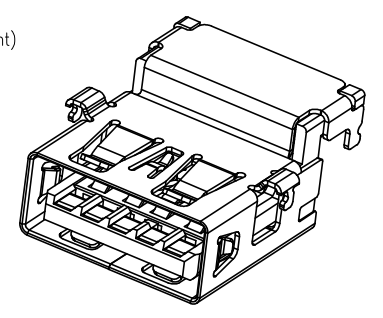
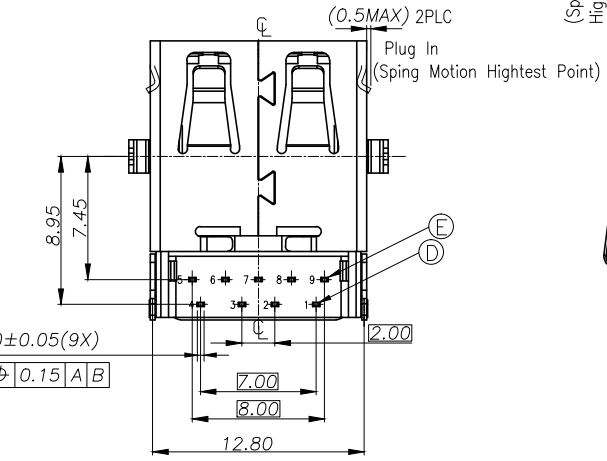
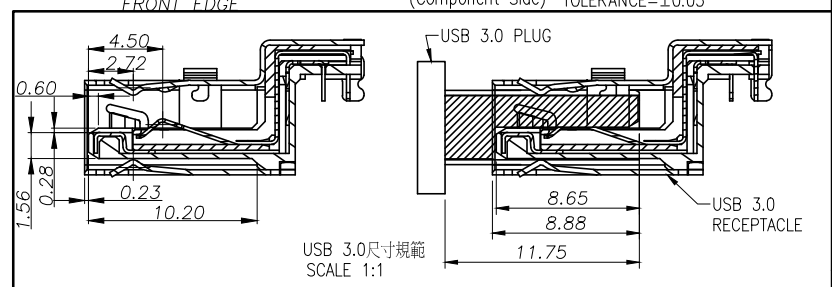
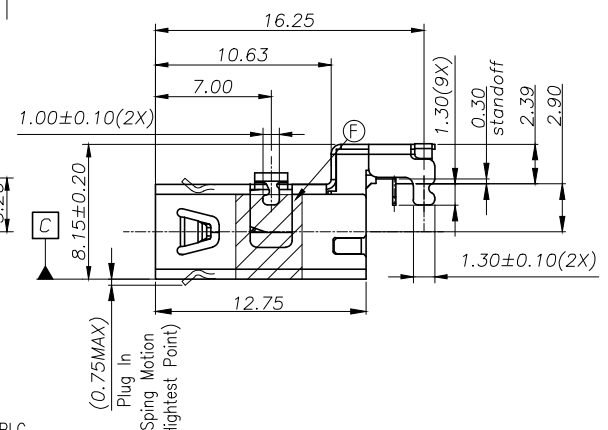
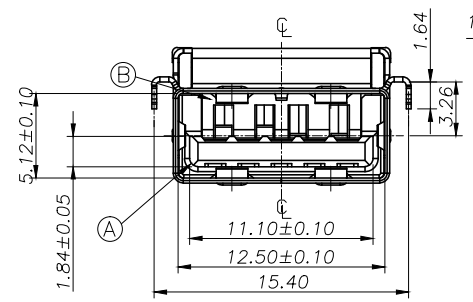
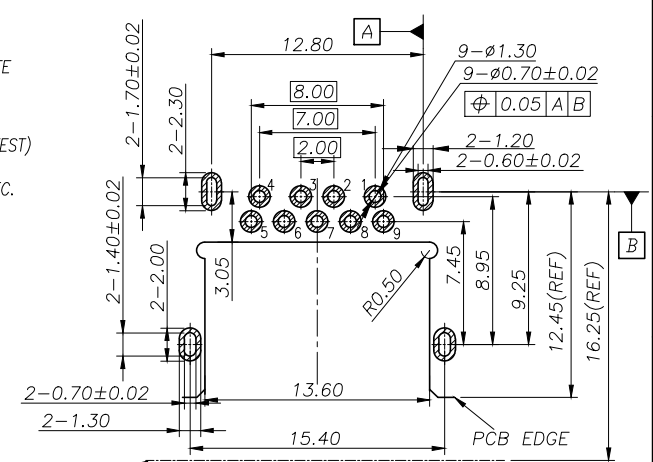
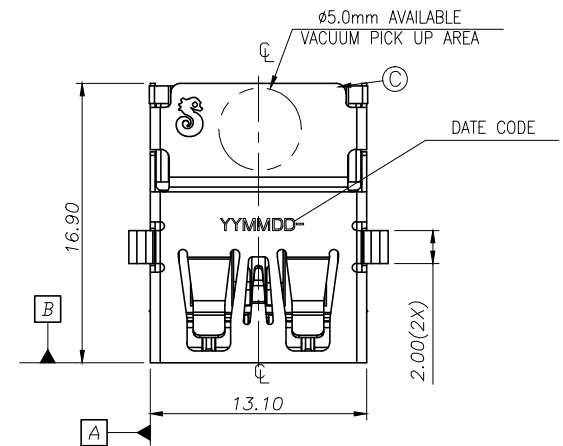


REV.	ECN NO OR DESCRIPTION	REVISED	DATE
A.	PDR NO:T130913-3A	fly	2013.12.27

- SPECIFICATIONS:**
- ELECTRICAL CHARACTERISTICS:**
 - 1-1. CURRENT RATING: 1.8A (PIN1,4) ; OTHER CONTACTS 0.25A
 - 1-2. CONTACT RESISTANCE: 30mΩ MAX.
 - 1-3. DIELECTRIC WITHSTANDING VOLTAGE: 100V AC FOR 1 MINUTE
 - 1-4. INSULATION RESISTANCE: 100MΩ MIN
 - MECHANICAL CHARACTERISTICS:**
 - 2-1. INSERTION FORCE : 3.5 Kgf MAX
 - 2-2. WITHDRAWAL FORCE : 1.0 Kgf MIN(INITIAL),0.8 Kgf(AFTER TEST)
 - DURABILITY:** 5,000 CYCLES.
 - TO CONFORM TO SINGATRON HAZARDOUS SUBSTANCE FREE SPEC.**
 - HALOGEN FREE IDENTIFICATION MARK ON JACK:** Ⓞ
 - HALOGEN FREE IDENTIFICATION LABEL ON PACKAGING:** Ⓞ
 - FOR IR REFLOW PROCESS.**
 - DATE :** YYMMDD-
 - PACKAGING :** TAPE & REEL.



Pin	Signal NAME	Terminal	Quantity	Material	Plating & Color
		F	2	MYLAR	YELLOW
		E	5	5-TERMINAL	COPPER ALLOY T=0.20
		D	4	4-TERMINAL	COPPER ALLOY T=0.20
		C	1	SHELL	STAINLESS STEEL T=0.30
		B	1	BASE	HIGH THERMOPLASTIC RED (199C)
		A	1	HOUSING	HIGH THERMOPLASTIC RED (199C)
1	VBUS				GOLD FLASH ON MATING AREA, MATTE Sn 120µin ON SOLDERING AREA, 80µin NICKEL UNDER PLATING OVERALL
2	D-				
3	D+				
4	GND				
5	StdA_SSRX-				
6	StdA_SSRX+				
7	GND_DRAIN				
8	StdA_SSTX-				
9	StdA_SSTX+				

DECIMALS:	ANGLES:	TITLE
X :±0.4	X :±2°	USB 3.0 REVERSE CONNECTOR
X.X :±0.3	X.X :±1°	DWN fly2014.1.6
X.XX :±0.2		CHKD boye2014.1.6

APVD	SIZE	SHEET	REV
boy2014.1.6	A3	1 OF 1	A

UNLESS OTHERWISE SPECIFIED TOLERANCES

Singatron Enterprise Co., Ltd.
信音企業股份有限公司

PART NO.2UB4039-900301F

SCALE 1:1 UNIT: mm

SIZE: A3 SHEET:1 OF 1 REV:A

CUSTOMER COPY