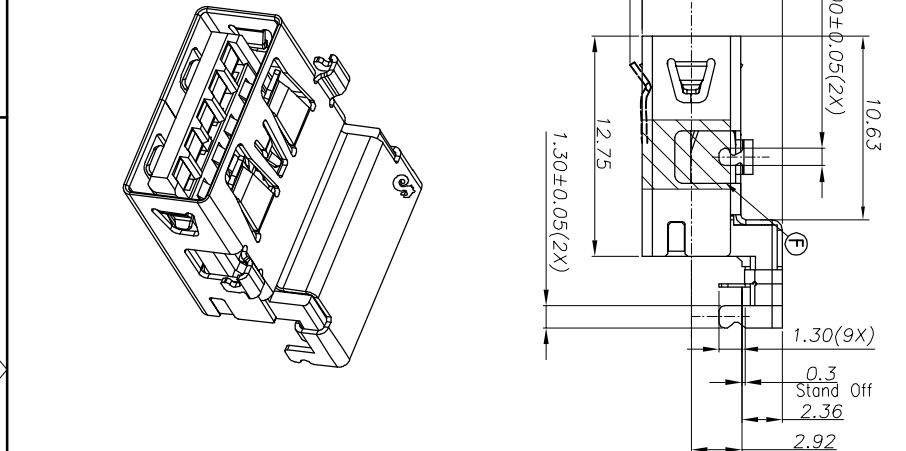


- SPECIFICATIONS:**
- ELECTRICAL CHARACTERISTICS:**
 - CURRENT RATING: 1.8A (PIN1, 4) ; OTHER CONTACTS 0.25A
 - CONTACT RESISTANCE: 30mΩ MAX.
 - DIELECTRIC WITHSTANDING VOLTAGE: 100V AC FOR 1 MINUTE
 - INSULATION RESISTANCE: 100MΩ MIN
 - MECHANICAL CHARACTERISTICS:**
 - INSERTION FORCE : 3.0 Kgf MAX
 - WITHDRAWAL FORCE : 1.0 Kgf MIN(INITIAL),0.8 Kgf(AFTER TEST)
 - DURABILITY: 5,000 CYCLES.
 - TO CONFORM TO SINGATRON HAZARDOUS SUBSTANCE FREE SPEC.
 - HALOGEN PRODUCT IDENTIFICATION MARK ON JACK: ☉
 - HALOGEN PRODUCT IDENTIFICATION LABEL ON PACKAGING: ☉
 - FOR IR REFLOW PROCESS.
 - DATE : YTMADD-
 - PACKAGING : TAPE & REEL.



Pin	Signal NAME	Material	Quantity	Description	Color
1	VBUS	SUS304T 0.3	1	PAGT U194-VO	NICKEL 60U "MIN
2	D-	PAGT U194-VO	1	PAGT U194-VO	BLACK
3	D+	PAGT U194-VO	1	PAGT U194-VO	BLACK
4	GND				
5	SIDA_SSRX-				
6	SIDA_SSPRX+				
7	GND_DRAIN				
8	SIDA_SSTX-				
9	SIDA_SSTX+				

Signal NAME	Material	Quantity	Description	Color
F	MYLAR	2	8mm*4mm	YELLOW
E	5-TERMINAL	5	C2680 T=0.20	
D	4-TERMINAL	4	C5210 T=0.20	
C	SHELL	1	SUS304T 0.3	
B	BASE	1	PAGT U194-VO	
A	HOUSING	1	PAGT U194-VO	

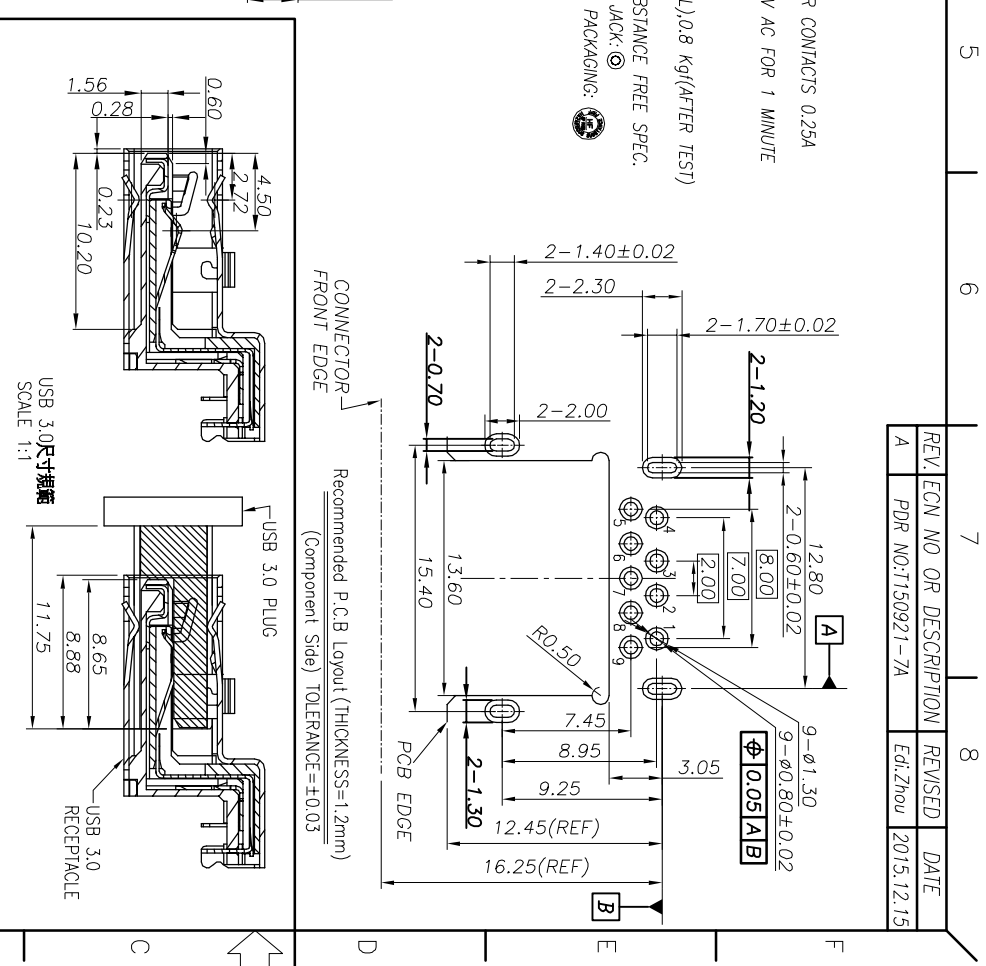
UNLESS OTHERWISE SPECIFIED TOLERANCES

DECIMALS: ANGLES:

DIM: Edt:Zhou PART NO.2UB4039-900501F

CHKD: James SCALE 1:1 UNIT: mm

APVD: Boye SIZE: A3 SHEET: 1 OF 1 REV: A



REV.	ECN NO OR DESCRIPTION	REVISED	DATE
A	PDR NO:T150921-7A	Edt:Zhou	2015.12.15