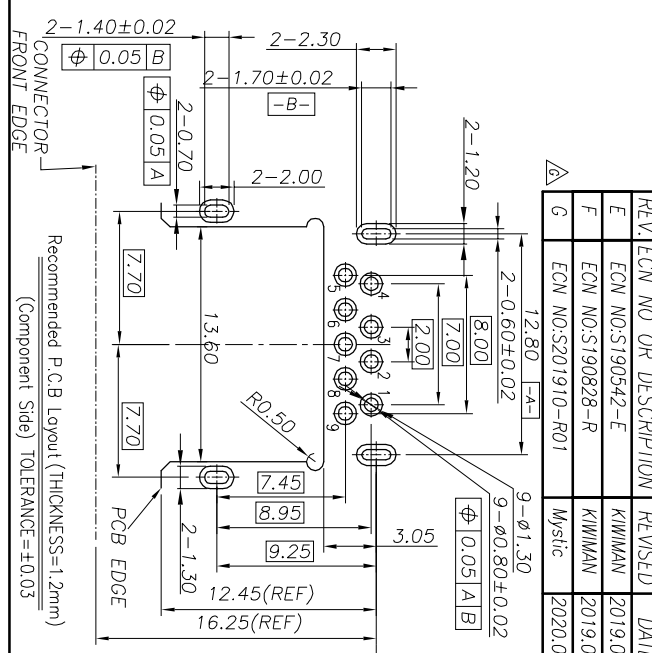
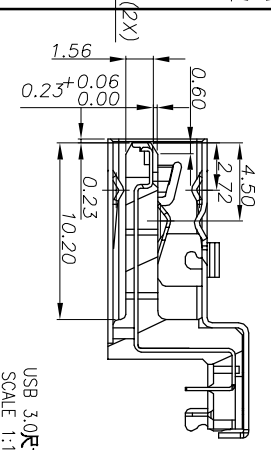
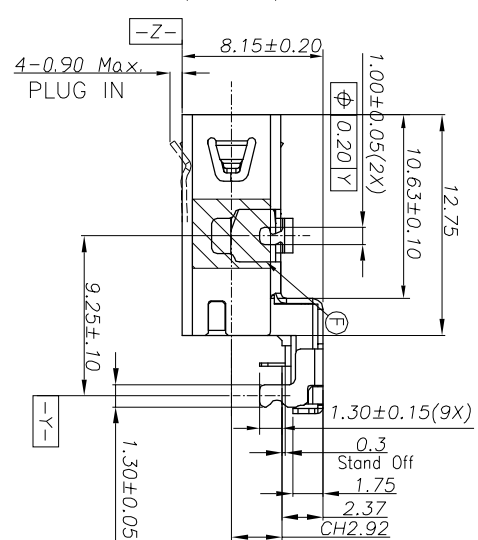
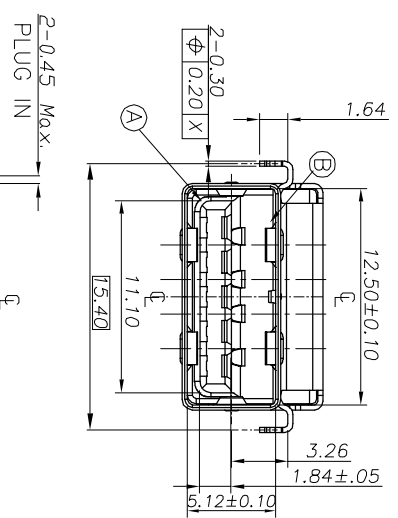
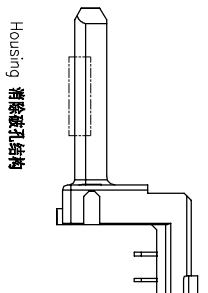
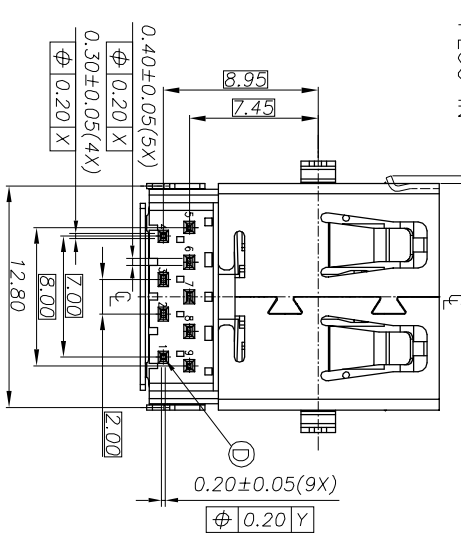


- DATE CODE MARK ZONE
Y M D
Part
Part
- φ5.0mm AVAILABLE
VACUUM PICK UP AREA
- SPECIFICATIONS:
1. ELECTRICAL CHARACTERISTICS:
1-1. CURRENT RATING: 1.8A (PIN1,4) ; OTHER CONTACTS 0.25A
1-2. CONTACT RESISTANCE: 30mΩ MAX.
1-3. DIELECTRIC WITHSTANDING VOLTAGE: 100V AC FOR 1 MINUTE
1-4. INSULATION RESISTANCE: 100MΩ MIN
2. MECHANICAL CHARACTERISTICS:
2-1. INSERTION FORCE : 2.5 Kgf MAX
2-2. WITHDRAWAL FORCE : 1.0 Kgf MIN(INITIAL),0.8 Kgf(AFTER TEST)
3. DURABILITY: 5,000 CYCLES.
4. TO CONFORM TO SINGATRON HAZARDOUS SUBSTANCE FREE SPEC.
5. HALOGEN PRODUCT IDENTIFICATION MARK ON JACK: ◎
6. HALOGEN PRODUCT IDENTIFICATION LABEL ON PACKAGING:
7. FOR IR REFLOW PROCESS.
8. DATE : YMD-
9. PACKAGING : TAPE & REEL.



REV.	ECN NO.	OR DESCRIPTION	REVISED	DATE
E	ECN NO.:S190542-E		KWIMAN	2019.07.11
F	ECN NO.:S190828-R		KWIMAN	2019.08.16
G	ECN NO.:S201910-R01		Mstic	2020.04.13



Pin	Signal NAME	F	Material	Color
1	VBUS	D	MYLAR	YELLOW
2	D-	C	9-TERMINAL SHELL	
3	D+	B	BASE	
4	GND	A	HOUSING	
5	SID4_SSRX-	NO	DESCRIPTION	
6	SID4_SSRX+	UNLESS OTHERWISE SPECIFIED TOLERANCES		
7	GND_DRAIN	DECIMALS:		
8	SID4_SSTX-	ANGLES:		
9	SID4_SSTX+	X.XX :±0.2		

REV.	ECN NO.	OR DESCRIPTION	REVISED	DATE
E	ECN NO.:S190542-E		KWIMAN	2019.07.11
F	ECN NO.:S190828-R		KWIMAN	2019.08.16
G	ECN NO.:S201910-R01		Mstic	2020.04.13